



# SL15/32, SL23/50

## Architectural zoom spotlights

### Features

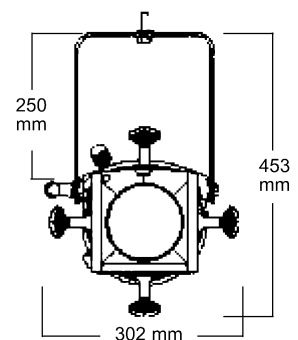
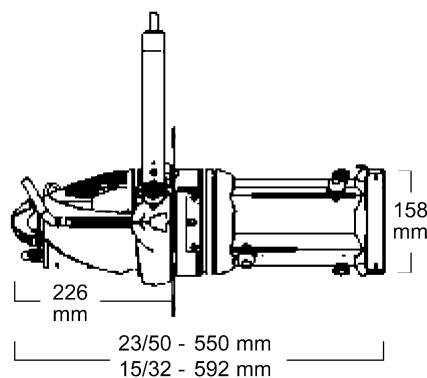
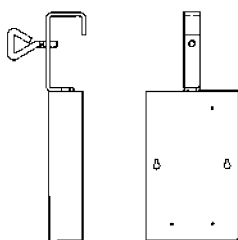
Excellent light output, superb distribution and the smoothest soft edge while maintaining beam size. Sharp gobo, edge and shutter focus. Very compact and narrow with the smallest dimensions in their category. Easy to use and maintain with many features for increased safety.

- High performance precision optical system with high light output
- High efficiency dichroic glass reflector & coated aspheric computer-designed lenses
- Coolbeam operation for extended gobo, shutter and gel life
- Energy efficient, long life lamp (typically 9000 hours)
- Fast and easy lamp centring with positive screw driver lock so that it won't move in transit
- Fast positive peak/flat adjustment via lead screw drive mechanism for smooth, tool-free field settings
- High performance detachable electronic ballast included
- Compact and lightweight, allowing closer hanging in tighter spaces
- Smooth 360° body rotation for quick and easy gobo and shutter positioning
- Shutters in three planes for triangular shutter cut
- Highly versatile rigging by combining 360° rotation with two balance positions for yoke
- Large rear handle for easy positioning
- Quick and easy access for reflector and lens cleaning
- Wide gate will fit 2 gobo holders, including glass gobo holder, drop-in iris or rotating gobo holder
- Safety bond attachment point for the luminaire and accessories
- CE marking



### Weights and dimensions

	15/32	23/50
Weight	7kg	6.9kg
Packed weight	9.8kg	9.6kg
Packed volume	0.03m <sup>3</sup>	0.08m <sup>3</sup>
Filter cut size	158mm x 158mm	
Ballast weight	1.5kg	
Ballast packed wt	2.0kg	
Ballast packed vol	0.01m <sup>3</sup>	

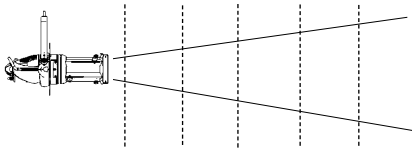




## Photometric data

Typical performance based on: Philips CDM-SA/T 4200K 150W lamp

### SL15/32



#### SL15/32 at 15°

Distance (m)	5	10	15	20	25
Beam Ø (m)	1.3	2.6	3.9	5.3	6.6
Illum (lux)	7120	1780	791	445	284.8

Beam candle power (cd) 178,000

#### SL15/32 at 24°

Distance (m)	5	10	15	20	25
Beam Ø (m)	2.13	4.25	6.38	8.5	10.63
Illum (lux)	4400	1100	488.9	275	176

Beam candle power (cd) 110,000

#### SL15/32 at 32°

Distance (m)	5	10	15	20	25
Beam Ø (m)	2.9	5.7	8.6	11.5	14.3
Illum (lux)	2920	730	324.4	182.5	116.8

Beam candle power (cd) 73,000

Performance at any distance: divide beam candle power by distance<sup>2</sup>

For beam diameter at any distance: 15° multiply 0.26 x distance    23° multiply 0.41 x distance  
 24° multiply 0.43 x distance    35° multiply 0.63 x distance  
 32° multiply 0.57 x distance    50° multiply 0.93 x distance

SL15/32

Average performance\*  
 Cosine field lumens = 5967  
 \*measured at 24°

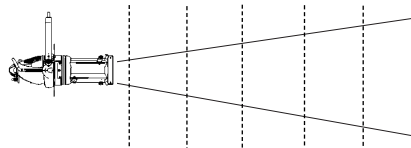
Efficiency - 43%

SL23/50

Average performance\*  
 Cosine field lumens = 7288  
 \*measured at 35°

Efficiency - 52%

### SL23/50



#### SL23/50 at 23°

Distance (m)	5	10	15	20	25
Beam Ø (m)	2.0	4.1	6.1	8.1	10.2
Illum (lux)	4400	1100	488.8	275	176

Beam candle power (cd) 110,000

#### SL23/50 at 35°

Distance (m)	5	10	15	20	25
Beam Ø (m)	3.2	6.3	9.5	12.6	15.8
Illum (lux)	2080	520	331.1	130	83.2

Beam candle power (cd) 52,000

#### SL23/50 at 50°

Distance (m)	5	10	15	20	25
Beam Ø (m)	4.7	9.3	14	18.7	23.3
Illum (lux)	1200	300	133.3	75	48

Beam candle power (cd) 30,000

## Operational features

### Field adjustment

By moving the burner assembly using a simple screw drive mechanism

### Lamp Adjustment

Lamp centring by use of a screwdriver

## Electrical & mechanical data

### Construction

Die cast aluminum housing available in black, white, or grey powder coat. Colours available to order. Stainless steel shutters

### Gate

Plated steel

### Lenses

Crown glass coated aspheric lens

### Lamp

CDM-T 150W/830	3000K	9000hrs
CDM-SA/T 150W/942	4200K	9000hrs
CMH	3000K	6000hrs
HIT/G12-3K	3200K	10000hrs
HIT/G12-4K	4000K	10000hrs
BLV 225222	4200K	6000hrs

### Supply voltage

230-240V, 50/60 Hz

### Standards compliance

CE marking

### Max operating ambient temperature

45°C

## Ordering information

SL 15/32 and 23/50 are supplied with 360° rotation mounting yoke, colour frame and 1.0m of power cable

Cat No	Black	Cat No	White	Cat No	Grey	Description
11710/B		11710/W		11710/G		15/32° Architectural Zoom, 230/240V, w/Ballast
11720/B		11720/W		11720/G		23/50° Architectural Zoom, 230/240V, w/Ballast

Note: SL Series luminaires are supplied with bare ends or fitted with connector as specified by the fifth digit of the catalog number: (1) bare ends, (6) GR, (7) GP and (8) GTL.  
 Example: 11716/W is a White Zoom unit with grounded parallel blade connector.

## Optional accessories

Cat No	Description
18045	Pattern Holder
18049	Drop-in Iris
18114	Colour frame
18115	High Hat (zoom)
18145	Glass Gobo Holder
18143	Donut

### Strand Lighting Ltd

Unit 3 Hammersmith Studios, Yeldham Road,  
 Hammersmith, London W6 8JF United Kingdom  
 Tel: +44 (020) 8735 9790  
 Fax: +44 (020) 8735 9799

### Strand Lighting GmbH

Ullsteinstrasse 114-142 D-12109  
 Berlin, Germany  
 Tel: +49 (0) 30/70 79 51 0  
 Fax: +49 (0) 30/70 79 519 9

### Strand Lighting Italia srl

Via delle Gardenie 33 00040  
 Pomezia-Roma, Italy  
 Tel: +39 06 919631  
 Fax: +39 06 9147136

### Strand Lighting Asia

20/F Delta House, 3 On Yiu Street  
 Shatin, N.T. Hong Kong  
 Tel: (852) 2757 3033  
 Fax: (852) 2757 1767



The Company reserves the right to make any variation in design or construction to the equipment described.  
 © Strand Lighting Ltd. 2002  
 Strand™, Strand Lighting™, Strand Quartzcolor™ are trademarks of Strand Lighting Limited and Strand Lighting Inc.