

Pollux 5000W

This powerful, lightweight 5000W studio fresnel is available in both manual and pole operated versions. The Pollux manual version is also suitable for location lighting in film and television.



Ordering Information

26340	Pollux 5kW MO supplied with barn door, colour frame and stirrup with head-mounted rotary switch with 7m cable BE, 29mm spigot
26350	Pollux 5kW PO supplied with barn door, colour frame and stirrup, with head-mounted rotary switch with 7m cable BE, 29mm spigot

Accessories

28074	4 leaf barn door
28097	colour frame
28307	scrim set (one double scrim, one single scrim, one half double scrim, one half single scrim)
82002	safety bond, 50kg
82012	hook clamp for 29mm spigot (50mmØ barrel)
82013	hook clamp for 29mm spigot (30/50mmØ barrel, SWL 50kg)

Operational Data

	Pollux 2.5/5kW	Pollux 5kW
Weight (head & stirrup)	16.5kg	16.5kg
Packed weight	22.0kg	22.0kg
Packed volume	0.159m ³	0.159m ³
Lens diameter	250mm	250mm
Filter cut size diameter	405mm	405mm
Mounting	29mm spigot (not 26340E)	
Range	11° to 62°	12.5° to 56.5°
Safety	EN60 598 2-17	

Lamp Data

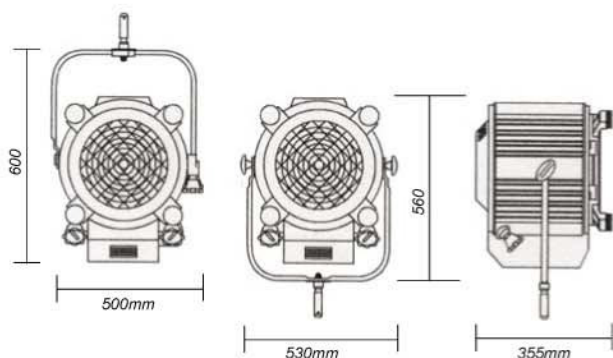
Lamp code	CP29	CP32	CP58
5000W	5000W	2500/5000W	1250/2500W
LCL (mm)	165	165	165
Base	G38	GX38q	GX38q
Lumens	135,000	59,000/127,000	27,000/59,000/91,000
Rated life hours (H)	500	300	
Colour temp. (K)	3200	3200	3200

Photometric Data



Typical performance based on CP29 5000W lamp

	15	20	25	25
Spot (12.5°)				
Throw (m)	15	20	25	25
Beam Ø (m)	3.28	4.38	5.47	
Lux	2377	1337	856	
Flood (56.5°)				
Throw (m)	10	15	20	25
Beam Ø (m)	10.7	16.1	21.5	26.8
Lux	1010	448	252	162



Ghost 5kW Fill Lights

Ghost 5kW Fill Light is designed to give a broad and even lighting coverage from overhead suspension. Particularly attractive for use in film, television and exhibition environments, utilising the standard all white diffuser cone. All four 1250W lamp compartments are individually tilt adjustable, especially useful when using the black (spot) diffuser cone.

Ordering Information

27771 Ghost 5kW Fill Light 230V CE

Accessories

28100	white diffuser cone
28200	black (spot) diffuser cone
82002	safety bond, 50kg
82012	hook clamp for 29mm spigot (50mmØ barrel)
82013	hook clamp for 29mm spigot (32-62mmØ barrel)

Operational Data

Weight	13 kg
Packed weight	16 kg
Packed volume	810x810x330mm
Mounting	29mm spigot

Lamp Data

Uses 189mm R7s Base lamps 230/240V
 Available lamp wattages
 625W x 4 = 2,5kW
 1000W x 4 = 4kW
 1250W x 4 = 5kW



Photometric Data

