



Type(s)
Project
Date
Notes

GENERAL INFORMATION

The Paradigm Network Station Power Supply provides station bus power and data for up to 63 stations with only a network connection to your Paradigm Processor. Adding stations to your system that are outside the distance limit of the LinkConnect bus is simple by adding a P-NSPS-D anywhere you have a network port. Each Paradigm Architectural Control Processor (P-ACP) can support up to five Network Station Power Supplies and up to 128 total stations and sensors.

APPLICATIONS

- Houses of worship
- Schools
- Restaurants
- Hotels
- Museums
- Casinos
- Ballrooms

FEATURES

- DIN rail mounting
- LinkConnect: The two wire topology-free system gives you the freedom to put stations where you need them
 - Up to 63 stations
 - Up to 500 m (1,640 ft) of station wiring per P-NSPS-D
 - Up to five P-NSPS-D per Paradigm Processor
- Network connection to Paradigm Processor allows you to add stations anywhere you have a network port
- LCD display with system status
- LON bus management including station connect and disconnect from onboard display

REGULATORY AND COMPLIANCE

- cULus Listed
- CE Compliant

ORDERING INFORMATION

Paradigm Station Power Modules

MODEL	DESCRIPTION
P-NSPS-D	Paradigm Network Station Power Supply

DIN Rail Accessories

MODEL	DESCRIPTION
DIN8	Mini DIN Enclosure
DIN14-H	Small DIN Enclosure
DIN28	Large DIN Enclosure
DIN-RM	DIN rail Rack mount Kit

Paradigm System Components

MODEL	DESCRIPTION
P-ACP	Unison Paradigm Architectural Control Processor
P-SPM-E	Paradigm Station Power Module
ERn	Paradigm Control Enclosure
DRd	Unison Dimming Enclosure



SPECIFICATIONS

FUNCTIONAL

- Provides Echelon® LonTalk® with LinkPower for up to 63 stations
- Provides 500 m (1,640 ft) of station bus power
- Communicates with Paradigm ACP over lighting network

MECHANICAL

- DIN rail mounting
- 1.5 mm (.060") aluminum construction
- Fine-textured, scratch-resistant, powder coat paint
- Convection cooled
- Front-panel LCD and LED status indicators

ELECTRICAL

- 48 VDC input from included power supply
- RJ45 socket with data LED supporting 10/100Base-TX Ethernet supporting static IPv4 addressing
- Echelon LinkPower communications with remote devices, including button stations, button/fader stations, touchscreen stations, and sensors

THERMAL

- Ambient room temperature: 0°–50° C (32°–122° F)
- Ambient humidity: 0–95% non-condensing

PHYSICAL

Dimensions*

MODEL	HEIGHT		WIDTH		DEPTH	
	in	mm	in	mm	in	mm
P-NSPS-D	3.54	90	5.63	143	2.35	60
48VDC PS	3.54	90	2.76	70	2.30	58

Weights*

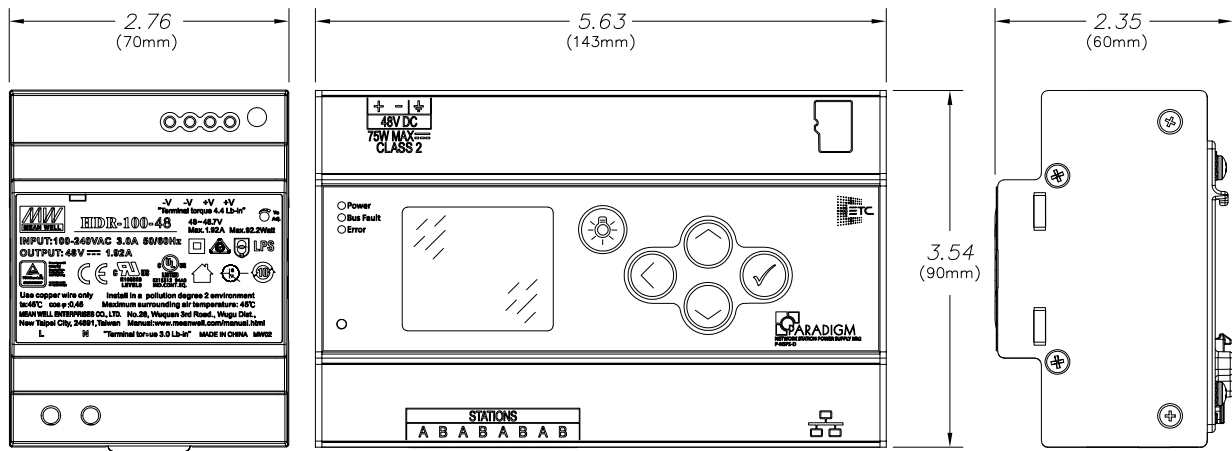
MODEL	WEIGHT		SHIPPING WEIGHT**	
	lb	kg	lb	kg
P-NSPS-D	1.3	.59	2	0.91

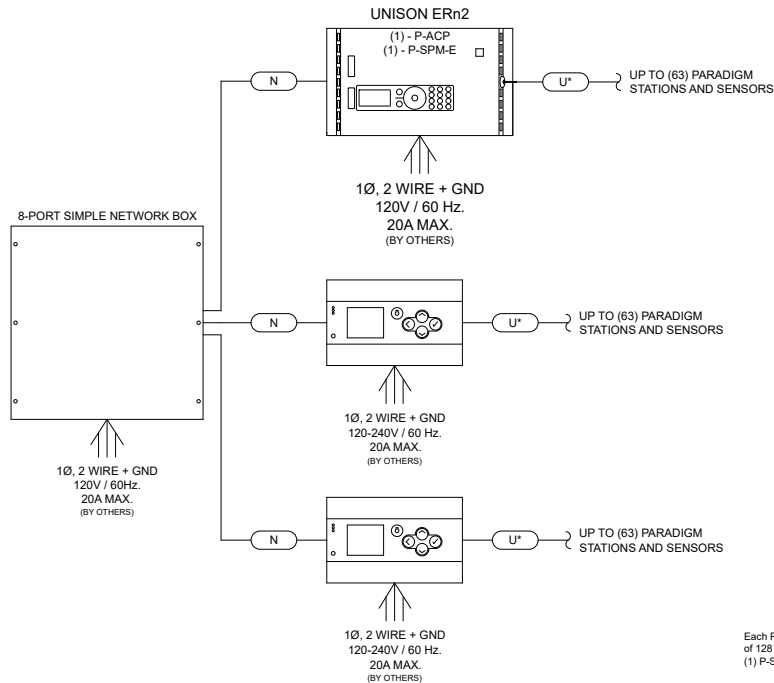
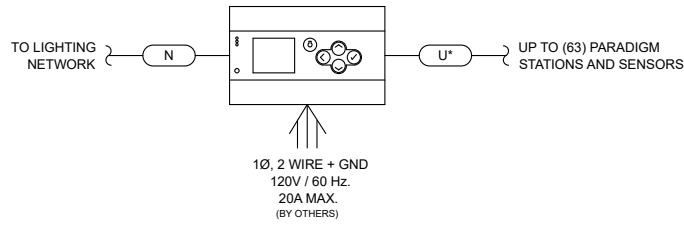
*Weights and dimensions typical

**Includes 48 VDC Power Supply

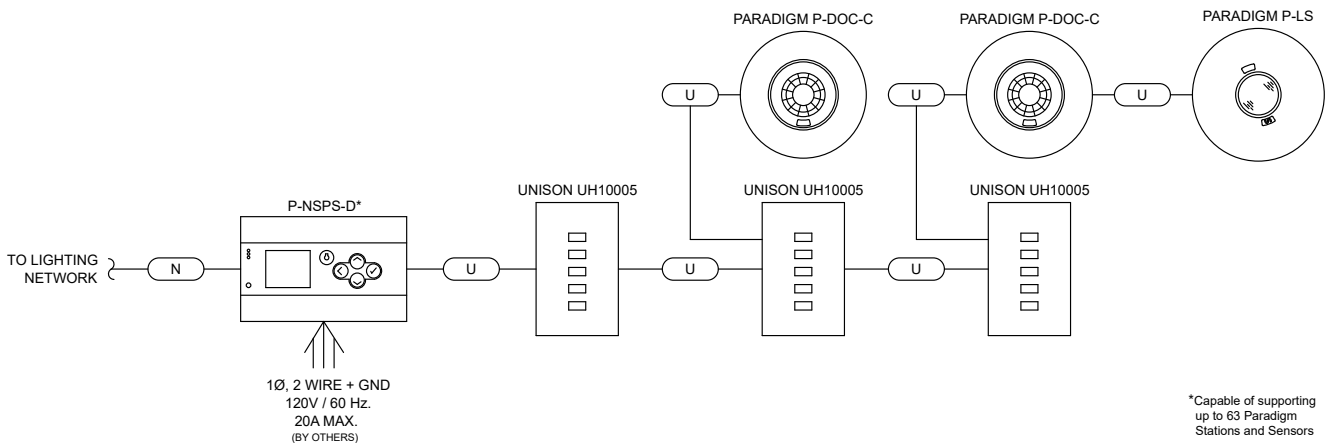
FRONT VIEW

SIDE VIEW





Each Paradigm processor can support a total of 128 stations and sensors spread across (1) P-SPM-E and up to (5) P-NSPS-D



*Capable of supporting up to 63 Paradigm Stations and Sensors



Corporate Headquarters • Middleton, WI USA

Global Offices • London, UK • Rome, IT • Holzkirchen, DE • Paris, FR • Hong Kong
Dubai, UAE • Singapore • New York, NY • Orlando, FL • Los Angeles, CA • Austin, TX

Copyright©2021 ETC. All Rights Reserved. All product information and specifications subject to change. Rev C 2021-08

*Trademark and patent info: etconnect.com/®

etconnect.com