

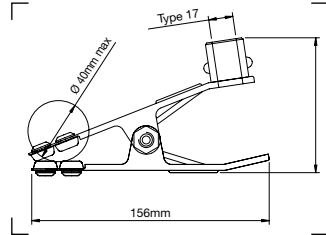
Clamps



Manfrotto offers several families of clamps to position lights and accessories practically anywhere. The original and world famous Super Clamp stands out for its versatility and numerous accessories. The entire range of clamps (spring clamps, pipe clamps, nano clamps, small size clamps) ensures a solution to any problem, regardless the size of the object and the surface you are clamping to.



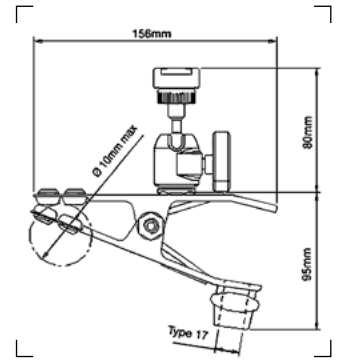
Wide choice of spring clamps and grips covers a huge range of applications. Constructed of aluminium or sheet steel, the clamps have thousands of uses, from supporting lights to clamping backgrounds to crossbars.



**SPRING CLAMP 175**

Clamps onto bars up to Ø 40mm.

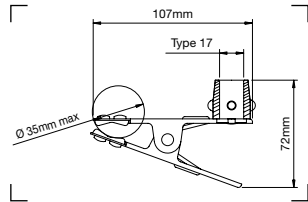
- 0.32kg
- Type 1
- Type 1



**SPRING CLAMP WITH FLASH SHOE 175F-1**

Clamps onto bars up to Ø 40mm. Supplied with a position able miniature ball head with a flash shoe attachment to allow it to clip and position a flash unit wherever it is needed.

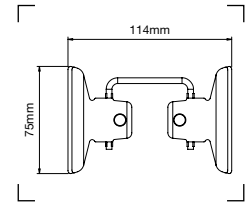
- 0.33kg
- Type 1
- Type 17
- 2kg



**MINI SPRING CLAMP 275**

Clamps onto bars up to Ø 35mm. It can be mounted also on 16mm extension arms.

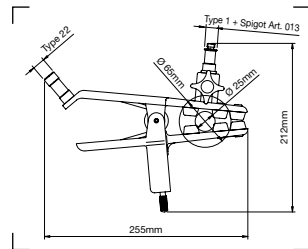
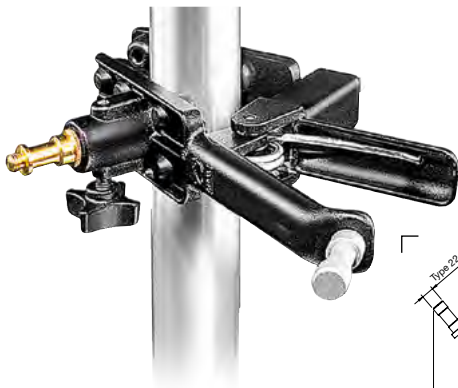
- 0.11kg
- Type 1
- Type 17



**MULTICLIP 375**

This versatile double clip can be used to hold gels in front of lights or small reflecting panels.

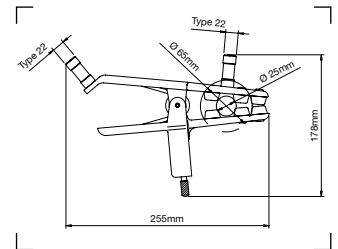
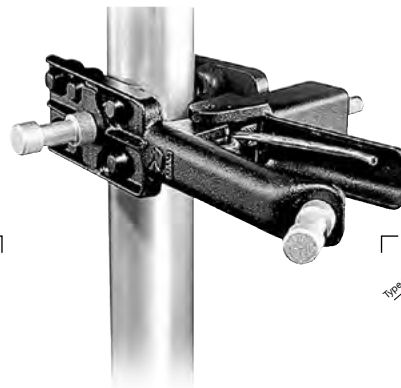
- 0.08kg



**SKY HOOK 043**

Gaffer grip with adjustable jaws. Grip from: 25mm to 65mm.

- 0.65kg
- Type 22
- Type 17 + Spigot Art. 013

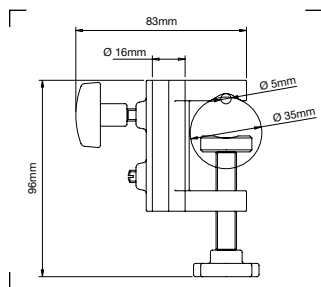


**SKY HOOK C1525**

Gaffer grip with adjustable jaws. Grip from: 25mm to 65mm.

- 0.8kg
- Type 22

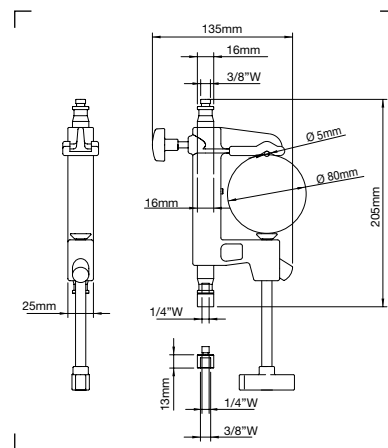
Manfrotto Pipe Clamps are made from aluminium alloy or rugged gravity cast aluminium for extra strength. Clamping range encompasses pipes from 28mm to 78mm diameter. All standard luminaire attachments available, from 16/28mm bushing to 16mm pins and 1/4" - 3/8" - M10 and M12 male thread.



**MINI CLAMP 171**

Clamps on bars up to Ø 35mm.

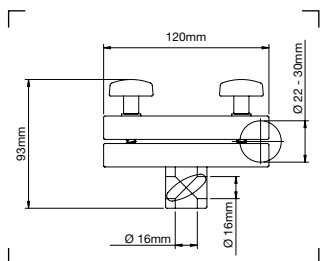
- 0.16kg
- 16mm



**QUICK RELEASE CLAMP 649**

Different from the other versions that are used mainly on round pipes, this version will also work on square and rectangular tubes. Extremely light, with a good "coupling range", this version also offers an incredible number of attachment sizes. Ideal for photographic applications and dedicated accessories. Pipe size 5-80mm. PATENTED

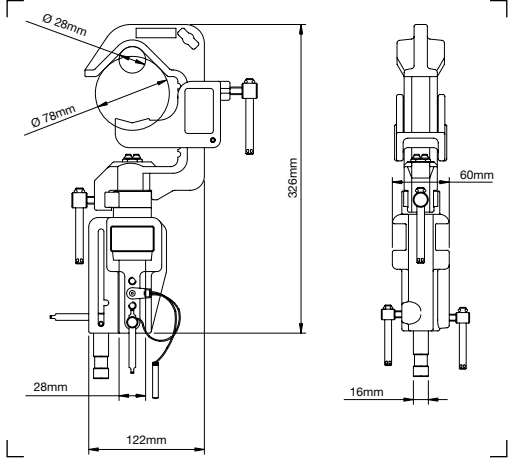
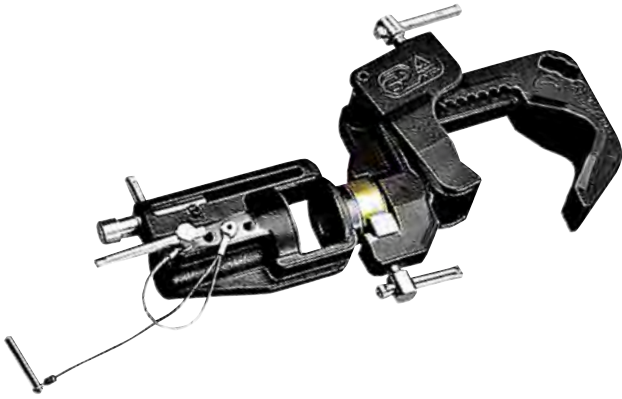
- 0.57kg
- 16mm
- 7kg



**PANEL CLAMP 271**

Clamps onto round and square tubes from Ø 22mm to 30mm. Ideal for supporting reflector panels or hanging objects from pipes.

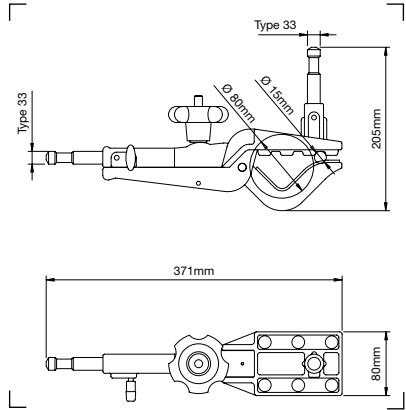
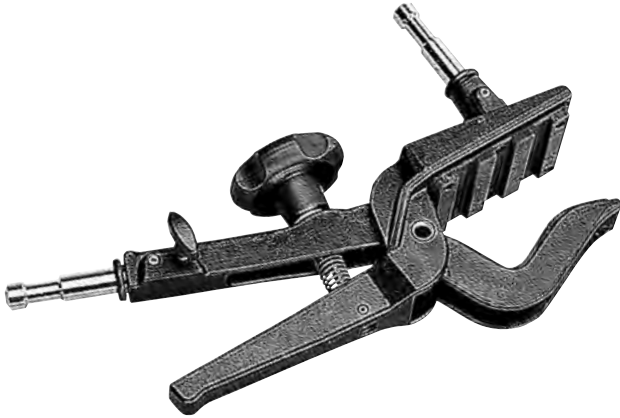
- 0.29kg
- 16mm



**SWIVELLING "C" CLAMP C150**

Works on diameters from 28mm to 78mm.  
 \* 10kg on 16mm attachment. 75kg on 28mm attachment.

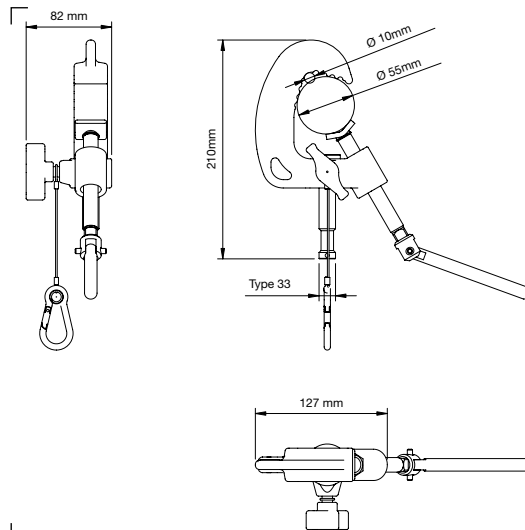
- 1.6kg
- 10/75kg\*
- 28 mm
- 



**PELICAN GAFFER GRIP C500**

Works on diameters from 15mm to 80mm.

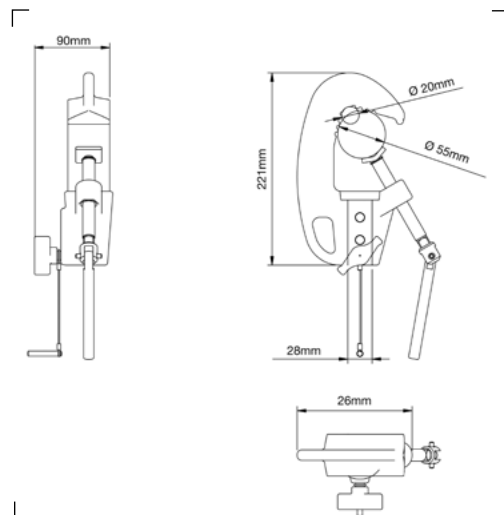
- 1.4kg
- 10kg
- Type 2
- Type 33
-



**BABY PIPE CLAMP WITH 16MM STUD C210**

Works on diameters from 10mm to 55mm.

-  0.62kg
-  100kg
-  Type 33
- 



**JUNIOR PIPE CLAMP WITH 28MM SOCKET C100**

Works on diameters from 20mm to 55mm.

-  1.13kg
-  250kg
-  28mm
- 

Manfrotto Super Clamp is the most versatile single piece of light grip gear. Frictionlined screw-operated jaws grip everything from 13mm to 55mm. Hexagonal socket with unique secondary safety lock system holds items in place even if the screw lock comes undone. Supplied with a wedge to square off the jaws for mounting to flat surfaces. This masterpiece of practicality and solidity is the most widely copied clamp in the world! Manfrotto Nano Clamp and Pico Clamp are the natural extension of the range; small but robust, they represent the ideal solution to grip loads to bars with diameter down to 8mm.



**SUPER CLAMP 035**

Ideal clamp for photographic application. Ergonomic lever to securely lock clamping position.

- 0.41kg
- 15kg



**DOUBLE SUPER CLAMP 038**

Set of two Super Clamps fastened together at fixed right angle to provide extra strength support for tubes or bars.

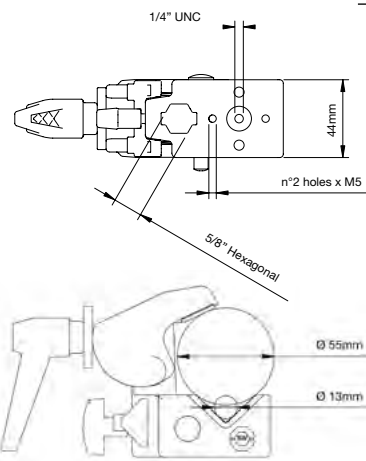
- 0.83kg



**PICO CLAMP MC1990A**

Manfrotto "Pico Clamp" is an extra-small clamp with versatile use. It offers the possibility to safely attach the equipment to very thin bars, having a diameter from 8 to 15 mm.

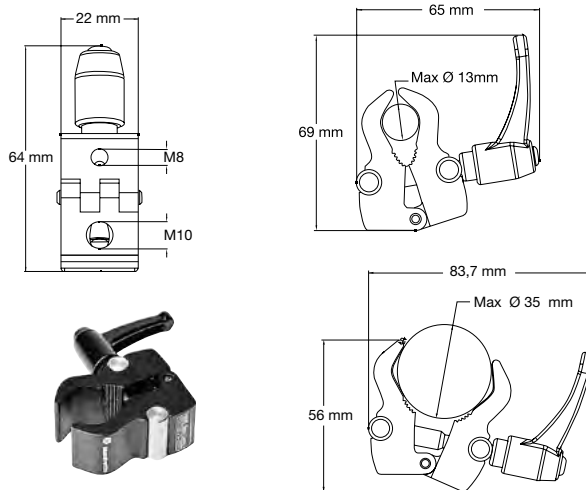
- 0.07kg
- 2kg
- 1/4" - 3/8" attachment type



**QUICK ACTION SUPER CLAMP 635**

The rapid action locking jaw has also been applied to the most well known clamp in the world, the original Super Clamp. These modifications allow us to keep its extreme versatility adding unrivaled speed in locking and unlocking. Supplied with wedge to allow the clamp to fit on flat surface.

- 0.47kg
- 15kg
- 16mm hexagonal + M5 & 1/4" threads



**NANO CLAMP 386B-1**

It's the new Manfrotto small size clamp. Its reduced size is the most important plus: the Nano Clamp is 4kg of payload in 110 grams of weight and the right size for any pocket.

- 0.25kg
- 4kg



**SPIGOT ADAPTER 013**

Universal 16mm spigot with double male thread 1/4" and 3/8".



0.07kg



**LIGHTING STUD 3/8" 036-38**

Plugs into Super Clamp 035 for lighting fixtures or connecting 2 Super Clamps 035 allowing them to rotate. 16mm stud with 3/8" male threads.



0.07kg



**JOINING STUD 061**

Connects 2 Super Clamp 035 with 6 step fixed rotation.



0.025kg



**ROUNDED 16MM LIGHTING STUD M10 264**

Rounded stud for stirrup's fixture for a rapid connection to a Super Clamp.



0.072kg



**EXTENSION BAR 133B**

Used to fix 2 Super Clamps 035 at a distance of 15cm from each other. Length 16.5cm.



0.1kg



**SHORT 16MM SPIGOT WITH 1/4"+ 3/8" SCREW 118**

Universal short 16mm spigot with double male thread 1/4" and 3/8".



0.04kg



**LIGHTING STUD 1/4" 036-14**

Same as 036-38 with 1/4" male threads.



0.07kg



**JOINING STUD RA 061RA**

Connects 2 Super Clamps 035 at right angles or 45° steps.



0.025kg



**HEXAGONAL 16MM LIGHTING STUD M10 174**

Hexagonal Lighting stud for stirrup's fixture for a rapid connection to a Super Clamp.



0.062kg



**LIGHTING STUD MR 036MR**

Plugs into Super Clamp 035 for lighting fixtures, Grip Heads or connect 2 Super Clamps 035 with 360° rotating capability.



0.048kg



**ADAPTER SPIGOT 1/4"+ 3/8" FEMALE THREADS 119**

Universal short 16mm spigot with double female thread 1/4" and 3/8".



0.032kg



**CAMERA STUD 037**

Plugs into Super Clamp 035 socket. To mount cameras, directly or with a camera head. 3/8" and 1/4" threads.



0.04kg



**DOUBLE FEMALE THREAD STUD 066**

Plugs into Super Clamp 035 to provide either a 3/8" or 1/4" female thread fixing.



0.025kg



**STUD FOR STIRRUP 066BT**

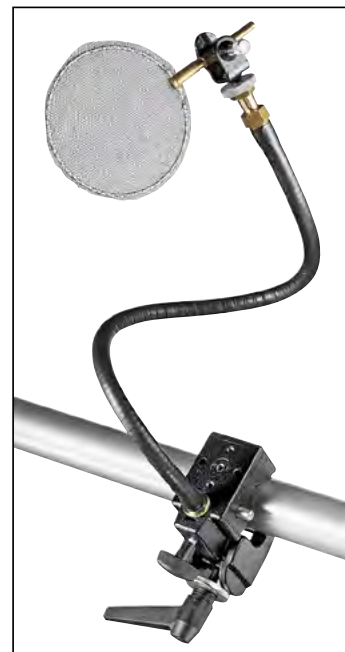
16mm stud with female thread M10. It has been specifically designed to mount it on a stirrup's fixture and easily connect it to a Super Clamp. Designed to be tightly lock with a wrench.



0.048kg







AUTOPOLE® SYSTEM



**SHORT SPIGOT ADAPTER 1/4"-3/8" 147**

Short spigot adapter 1/4" - 3/8".



0.05kg



**SHORT SPIGOT ADAPTER 3/8"-3/8" 125**

Short spigot adapter 3/8" - 3/8".



0.05kg



**MINI "U" HOOKS 176**

Set of two Mini "U" Hooks.



0.1kg



**"U" HOOKS 039**

Set of two cross bar holders. Width: 40mm



0.16kg



**"L" BRACKETS 041**

Set of two brackets to use in combination with Super Clamp 035 to support shelves, etc. 17cm long x 4cm deep.



0.29kg



**EXTENSION ARM 042**

Plugs into Super Clamp 035 socket. Length: 19.5cm.

-  0.21kg
-  8kg
-  Type 1  
+ Spigot Art. 013
- 



**MINI EXTENSION ARM 203**

Fits into Mini Clamp 171 socket. Length: 12cm.

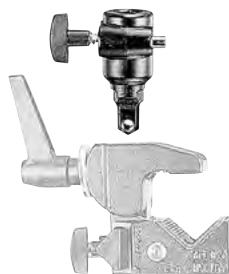
-  0.15kg
-  5kg
-  12.5mm hole



**SUPER CLAMP WEDGES 035WDG**

To allow the Super Clamp 035 to fit on plane surfaces. Set of four.

-  1.4kg



**ADDITIONAL SOCKET 335AS**

Provides an additional 16mm socket to Super Clamp 035.

-  0.14kg



**SAFETY CABLE C155**

Diameter 4mm. Length 100cm.

**SAFETY CABLE C155-01**

Not illustrated

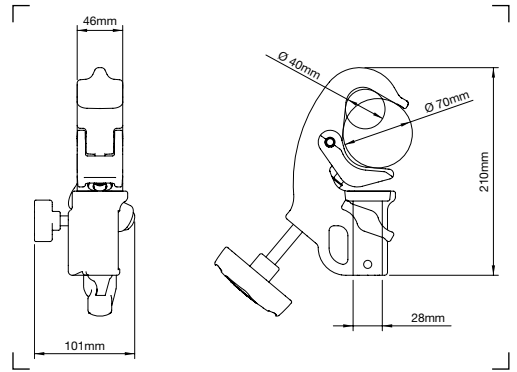
Diameter 3.5mm. Length 70cm.

**SAFETY CABLE C155-02**

Not illustrated

Diameter 5mm. Length 70cm.

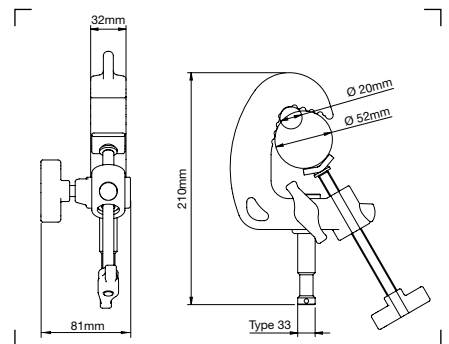
The mechanical concept on which we based this new range of clamps allows an incredible speed in locking and unlocking the clamp's jaws. Fastening the clamp to a pipe or any other support is quick and simple allowing you to position your lighting equipment securely.



**28MM BUSHING QUICK ACTION JUNIOR CLAMP C337**

Made in gravity cast aluminium, this clamp is ideal to hang all types of luminaries in TV studios and theaters. Its incredible "coupling range" sets almost no limitations to its capability to clamp to almost all the industry standard pipe diameters. To meet all safety requirements, we have designed a dedicated slot for flexible steel safety cables. Supplied with T-top padded handle to improve grip. Pipe size 40-70mm. PAT. PENDING.

-  1.27kg
-  100kg
-  28mm



**16MM PIN QUICK ACTION BABY CLAMP C338**

Very slim and lightweight, this version has been designed for small luminaries, virtually unlimited in application. To meet all safety requirements, we have designed a dedicated slot for flexible steel safety cables. Pipe size 20-52mm. PAT. PENDING.

-  0.76kg
-  50kg
-  Type 33

A convenient method of suspending luminaires from above for unobstructed floor areas. Telescopic hangers are renowned for their strength and versatility. Available with either a stirrup or universal head, all hangers come with a safety pin to prevent the riser from slipping.

### TELESCOPIC HANGER WITH UNIVERSAL HEAD **C825**

Max load with 16mm spigot 10kg. Max load with 28mm socket 40kg.



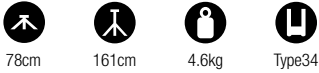
### TELESCOPIC HANGER WITH STIRRUP **C820**

Luminaire attachment - Stirrup Ø 40mm.



### TELESCOPIC HANGER WITH UNIVERSAL HEAD **C888UH**

Max load with 16mm spigot 10kg. Max load with 28mm socket 40kg.



### LONG TELESCOPIC HANGER WITH UNIVERSAL HEAD **C827**

Not illustrated

Max load with 16mm spigot 10kg. Max load with 28mm socket 40kg.



### PUMP CUP WITH 16MM SOCKET **241S**

A suction cup with a fixed 16mm socket incorporating a safety pin for added security.



**C825**  
Safety Pin

**C820**  
Safety Pin

**C888UH**

### LONG TELESCOPIC HANGER WITH STIRRUP **C822**

Not illustrated

Luminaire attachment - Stirrup Ø 40mm.



### PUMP CUP WITH 16MM SWIVEL SOCKET **241**

Suction cup for small fixtures and lightweight equipment. Ø: 150mm. 16mm bushing with safety pin.



Arms





Used in conjunction with stands or clamps, the range of Manfrotto arms, multi positioning arms and attachments enable accurate positioning of lighting and effects. The Magic Arm and the Variable Friction Arm are outstanding, using a single convenient and fast action locking lever or knob to lock or partially lock the two arms and the two swivel studs. Among the most remarkable products in this range are the double articulated arms, enabling quick positioning thanks to their quick lock knobs.

Wherever you need to position your camera, light or accessory, we have an arm to fit the task. Can be combined with clamps, mounting plates and connectors and used in conjunction with virtually any product in the Manfrotto range.

Wherever you need to position your camera, light or accessory, we have an arm, a bracket or a bar to fit the task. Can be combined with clamps, mounting plates and connectors and use in conjunction with virtually any product in the Manfrotto range.





| MODEL                  | PRODUCTS  | CODE   | MAX LOAD AT FULL EXTENSIONS |               |          |        |          |        |  |   |
|------------------------|---|--|-----------------------------|---------------|----------|--------|----------|--------|--|---|
|                        |   |  | ≤ 0,5 kg                    | ≤ 1 kg        | ≤ 1,5 kg | ≤ 3 Kg | ≤ 4,5 Kg | ≤ 5 Kg |  |   |
| Flexible Arm           |    | Flex Arm   | 237                         | √<br>(≤0,3Kg) |          |        |          |        |  |   |
|                        |   | Heavy Duty Flex Arm  | 237HD                       | √             |          |        |          |        |  |   |
| Mini & Micro Arm       |    | Mini Friciton Arm  | 244MINI                     |               |          |        | √        |        |  |   |
|                        |   | Micro Friciton Arm   | 244MICRO                    |               |          |        | √        |        |  |   |
|                        |   | Micro Friction Arm With Anti Rotation  | 244MICRO-AR                 |               |          |        | √        |        |  |   |
|                        |   | Micro Friction Arm With Nano Clamp   | 244MICROKIT                 |               |          |        | √        |        |  |   |
| Magic Arm              |   | Magic Arm  | 143N                        |               |          |        | √        |        |  |   |
|                        |   | Magic Arm Kit  | 143                         |               |          |        | √        |        |  |   |
|                        |   | Magic Arm with Camera Bracket  | 143A                        |               |          |        | √        |        |  |   |
|                        |   | Variable Friction Arm  | 244N                        |               |          |        | √        |        |  |   |
|                        |   | Variable Friction Arm with Camera Bracket  | 244                         |               |          |        | √        |        |  |   |
| Single Articulated Arm |  | Single Articulated Arm<br>Top Attachment, 16mm spigot<br>with 3/8" light attachment                | 196AB-2                     |               |          | √      |          |        |  |   |
|                        |   | Single Articulated Arm<br>Top Attachment, 16mm spigot<br>with 3/8" light attachment                | 196AB-3                     |               | √        |        |          |        |  |   |
|                        |   | Single Articulated Arm<br>Top attachment, camera bracket<br>with 16mm spigot and camera attachemen | 196B-2                      |               |          | √      |          |        |  |   |
|                        |   | Single Articulated Arm<br>Top attachment, camera bracket<br>with 16mm spigot and camera attachment | 196B-3                      |               | √        |        |          |        |  |   |
| Double Articulated Arm |  | Double Articulated Arm<br>Top Attachment, 16mm spigot<br>with 3/8" light attachment                | 396AB-2                     |               |          |        |          |        |  | √ |
|                        |   | Double Articulated Arm<br>Top Attachment, 16mm spigot<br>with 3/8" light attachment                | 396AB-3                     |               |          |        |          | √      |  |   |
|                        |   | Double Articulated Arm<br>Top attachment, camera bracket<br>with 16mm spigot and camera attachment | 396B-2                      |               |          |        |          |        |  | √ |
|                        |   | Double Articulated Arm<br>Top attachment, camera bracket<br>with 16mm spigot and camera attachment | 396B-3                      |               |          |        |          | √      |  |   |

| MAX LENGHT | ATTACHMENT 1                                | ATTACHMENT 2  | ACCESSORIES   |
|------------|---|---|---|
| cm         |   |   |   |
| 55,0       | 3/8" female thread with Exagon 16 mm        | Spigot 5/8" (16 mm) with 1/4" male                                  |   |
| 55,0       | 3/8" female thread with Exagon 16 mm        | Spigot 5/8" (16 mm) with 1/4" male                                  |   |
| 24,0       | 1/4" male thread                            | 1/4" male thread + 3/8" male thread                                 |   |
| 15,0       | 1/4" male thread                            | 1/4" male thread + 3/8" male thread                                 |   |
| 15,0       | 3/8" male thread Anti Rotation              | 3/8" male thread Anti Anti Rotation + 3/8" attach                   |   |
| 15,0       | 3/8" male thread Anti Rotation              | 1/4" male thread + Nano Clamp                                       |   |
| 53,0       | Spigot 5/8" (16 mm) with 1/4" female thread | Spigot 5/8" (16 mm) with 3/8" female thread                         |   |
| 53,0       | Spigot 5/8" (16 mm) with 1/4" female thread | Spigot 5/8" (16 mm) with 3/8" female thread + camera Bracket 143BKT | 53 "Camera/Umbrella bracket 143BKT, Super Clamp 035, Backlite Base 003" |
| 53,0       | Spigot 5/8" (16 mm) with 1/4" female thread | Spigot 5/8" (16 mm) with 3/8" female thread                         | Camera/Umbrella bracket 143BKT  |
| 53,0       | Spigot 5/8" (16 mm) with 1/4" female thread | Spigot 5/8" (16 mm) with 3/8" female thread                         |   |
| 53,0       | Spigot 5/8" (16 mm) with 1/4" female thread | Spigot 5/8" (16 mm) with 3/8" female thread                         | Camera/Umbrella bracket 143BKT  |
| 60,5       | Spigot 5/8" (16 mm) with 1/4" female thread | Spigot 5/8" (16 mm) with 3/8" female thread                         |   |
| 85,0       | Spigot 5/8" (16 mm) with 1/4" female thread | Spigot 5/8" (16 mm) with 3/8" female thread                         |   |
| 60,5       | Spigot 5/8" (16 mm) with 1/4" female thread | Spigot 5/8" (16 mm) with 3/8" female thread                         | Camera/Umbrella bracket 143BKT  |
| 85,0       | Spigot 5/8" (16 mm) with 1/4" female thread | Spigot 5/8" (16 mm) with 3/8" female thread                         | Camera/Umbrella bracket 143BKT  |
| 62,5       | Spigot 5/8" (16 mm) with 3/8" female thread | Spigot 5/8" (16 mm) with Exagon 16mm                                |   |
| 86,0       | Spigot 5/8" (16 mm) with 3/8" female thread | Spigot 5/8" (16 mm) with Exagon 16mm                                |   |
| 62,5       | Spigot 5/8" (16 mm) with 3/8" female thread | Spigot 5/8" (16 mm) with Exagon 16mm                                | Camera/Umbrella bracket 143BKT  |
| 86,0       | Spigot 5/8" (16 mm) with 3/8" female thread | Spigot 5/8" (16 mm) with Exagon 16mm                                | Camera/Umbrella bracket 143BKT  |



**MAGIC ARM 143N**

Articulated arm, without accessories, with centre level to lock all 3 movements. Length: 53cm.



1.07kg



16mm with 1/4" female attachment



3kg



16mm with 3/8" female attachment



**MAGIC ARM WITH CAMERA BRACKET 143A**

Magic Arm with camera bracket only.



1.07kg



16mm with 1/4" female attachment



3kg



16mm with 3/8" female attachment + Camera Bracket Art. 143BKT



**MAGIC ARM KIT 143**

Articulated arm with centre lever to lock all 3 movements. Length: 53cm. Supplied with: Camera/Umbrella Bracket 143BKT, Super Clamp 035, Backlite Base 003.



2.55kg



16mm with 1/4" female attachment



3kg



16mm with 3/8" female attachment + Camera Bracket Art. 143BKT



**VARIABLE FRICTION ARM WITH CAMERA BRACKET 244**

Features as 143A, but a large locking knob takes the place of the cam-lever. Variable friction and locking of arm obtained by adjusting knob. Comes complete with Camera/Umbrella Bracket 143BKT only.



1.09kg



16mm with 1/4" female attachment



3kg



16mm with 3/8" female attachment + Camera Bracket Art.143BKT



**VARIABLE FRICTION ARM 244N**

Friction Arm with variable friction and locking of arm obtained by adjusting knob.



1.09kg



16mm with 1/4" female attachment



3kg



16mm with 3/8" female attachment



**CAMERA/UMBRELLA BRACKET 143BKT**

Camera bracket only.



**MINI FRICION ARM 244MINI**

24cm friction arm with interchangeable 1/4" attachments and additional 3/8" adapter included.

- 3kg
- 0,44kg



**MICRO FRICION ARM 244MICRO**

15cm friction arm with interchangeable 1/4" attachments and additional 3/8" adapter included.

- 3kg
- 0,22kg



**MICRO FRICION ARM WITH ANTI ROTATION 244MICRO-AR**

15cm friction arm with interchangeable 3/8" Anti-rotation attachments and additional 3/8" adapter included. The Anti-rotation system is compatible with Manfrotto products: Digital Director and 386B-1 Nano Clamp.

- 3kg
- 0,24kg
- 6.6lb
- 0.53lb



**5/8" ADAPTERS 244ADPT58**

Two 5/8" adapters accessories compatible with the following friction arms: 244Mini, 244Micro, 244Micro-AR, 244MicroKit.



**3/8" AND 1/4" ADAPTERS 244ADPT3814**

3/8" and 1/4" adapters accessories compatible with the following friction arms: 244Mini, 244Micro, 244Micro-AR, 244MicroKit.



**MICRO FRICION ARM WITH NANO CLAMP 244MICROKIT**

15cm friction arm with interchangeable 3/8" Anti-rotation attachment and 1/4" attachment and Nano Clamp included. The Anti-rotation system is compatible with Manfrotto products: Digital Director and 386B-1 Nano Clamp.

- 3kg
- 0,31kg
- 6.6lb
- 0.69lb



**3/8" ANTI-ROTATION ADAPTER 244ADPT38AR**

Anti-rotation adapter accessory compatible with the following friction arms: 244Mini, 244Micro, 244Micro-AR, 244MicroKit. The Anti-rotation system is compatible with Manfrotto products: Digital Director and 386B-1 Nano Clamp.



**HOT-SHOE ADAPTER 244ADPT-HS**

Hot-shoe adapter accessory compatible with the following friction arms: 244Mini, 244Micro, 244Micro-AR, 244MicroKit.



### FLEX ARM **237**

Flexible arm, Ø 13mm, 55cm long with hexagon stud to fit Super Clamp 035 with 3/8" female thread and 16mm stud with 1/4" male thread type 18.



0.3kg



Type 18



0.3kg



16mm



### HEAVY DUTY FLEX ARM **237HD**

Same as 237, but Ø 18mm.



0.3kg



Type 18



0.5kg



16mm



### DADO **MSY0590A**

We are introducing Dado, a revolutionary junction that allows a number of attachments to be compatible with our entire range of Manfrotto Lighting clamps and stands. Dado is simple to use, and features an innovative design. Dado comes in two kits: one with 3 tubes, 3 threaded pins and 1 sphere and another one with 6 tubes, 6 threaded pins and 1 sphere.

- 18 threadings (3/8") on the main sphere
- 3 threaded pins (3/8")
- 3 threaded tubes with:
- 3/8" female and 5/8" male attachments
- Weight: 0.23kg



### DADO KIT **MSY0580A**

- 18 threadings (3/8") on the main sphere
- 6 threaded pins (3/8")
- 6 threaded tubes with:
- 3/8" female and 5/8" male attachments
- Weight: 0.37kg

Manfrotto broadens its family of articulated arms, providing end users with a versatile and robust range of products with excellent performance.

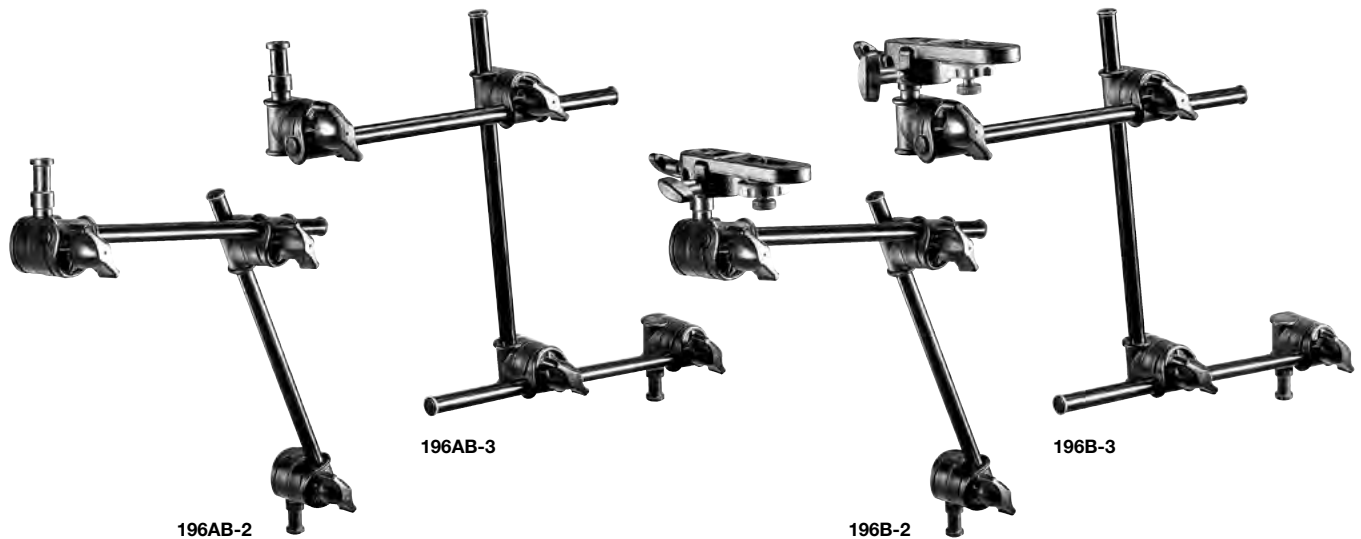
The new articulated arms have been designed to be compact and lightweight yet offer high loads capacity and optimum arm length in order to guarantee extreme ease of use, practicality and positioning flexibility with improved safety and reliability.



SINGLE ARTICULATED ARMS: 2 & 3 SECTIONS

A more versatile version with telescopic features that make this product even more compact than before. Two available versions – at two and three sections- in order to ensure broad range of length, from 605 to 850mm.

| Code    | Sections | Top attachment  | Bottom attachment  | Max length | Max load at full extension | Weight |
|---------|----------|---|--|------------|----------------------------|--------|
| 196AB-2 | 2        | 16mm spigot with 3/8" light attachment                | 16mm spigot (compatible with Super Clamp) with 1/4" thread | 605mm      | 1.5kg                      | 0.4kg  |
| 196AB-3 | 3        | 16mm spigot with 3/8" light attachment                | 16mm spigot (compatible with Super Clamp) with 1/4" thread | 850mm      | 1kg                        | 0.5kg  |
| 196B-2  | 2        | camera bracket with 16mm spigot and camera attachment | 16mm spigot (compatible with Super Clamp) with 1/4" thread | 605mm      | 1.5kg                      | 0.53kg |
| 196B-3  | 3        | camera bracket with 16mm spigot and camera attachment | 16mm spigot (compatible with Super Clamp) with 1/4" thread | 850mm      | 1kg                        | 0.63kg |





Sliding extensions allow for flexible positioning. Easy to use, even in reduced spaces.

Just turn knob to click-stop and arm position is immediately locked.



Double-anchored spigot with hexagonal (for Super Camp attachment) & universal (for maximum compatibility) sections. Gives extra strength and anti-rotation rigidity.

### DOUBLE ARTICULATED ARMS: 2 & 3 SECTIONS

Excellent performance: robustness, lightness and versatility... these are the features of the new double articulated arm range.

The 396 family has been developed to provide greater robustness than the 196 range and to support heavier loads (up to 5kg), though keeping versatility thanks to its extendable sliding arm system (extends up to 860mm), further enhanced by its quick lock system.

The new bottom attachment adds to the strength and versatility of the 396, with a spigot that combines both a hexagonal part (for anti-rotation fixing to the Super Clamp system) and a universal adapter section (for fitting to a wide range of stands, clamps and accessories).

| Code    | Sections | Top attachment  | Bottom attachment                               | Max length | Max load at full extensions | Weight |
|---------|----------|---|---|------------|-----------------------------|--------|
| 396AB-2 | 2        | 16mm spigot with 3/8" light attachment                | Double-anchored 16mm hexagonal/universal spigot | 625mm      | 5kg                         | 0.5kg  |
| 396AB-3 | 3        | 16mm spigot with 3/8" light attachment                | Double-anchored 16mm hexagonal/universal spigot | 860mm      | 4.5kg                       | 0.79kg |
| 396B-2  | 2        | camera bracket with 16mm spigot and camera attachment | Double-anchored 16mm hexagonal/universal spigot | 625mm      | 5kg                         | 0.64kg |
| 396B-3  | 3        | camera bracket with 16mm spigot and camera attachment | Double-anchored 16mm hexagonal/universal spigot | 860mm      | 4.5kg                       | 0.9kg  |



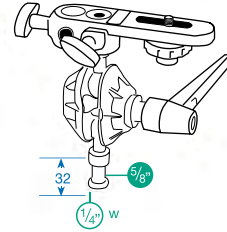


Tilt Heads



The Manfrotto Tilt-Heads are a versatile aluminum bracket that will fit on almost any light stand. The perfect tools to tilt and swivel flash heads, LED lights, and cameras. Made of aluminum and manufactured according to the highest quality standard, Manfrotto tilt heads are extremely reliable and safely hold any photographic equipment.





TILT-TOP HEAD **155**

Twin swivelling 16mm spigots and single lever lock. Supplied with: Camera/Umbrella Bracket 143BKT.  
Height: 14.5cm.



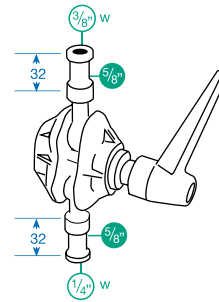
0.5kg



16mm



16mm + Camera Bracket Art. 143BKT



TILT-TOP HEAD **155BKL**

Tilt-top head alone, available separately without Camera/Umbrella Bracket.



0.4kg



16mm



16mm



### SNAP TILT HEAD **MLH1HS**

Flashguns never drop along the stand, thanks to a spring system. Quick to set-up, thanks to the locking ring and safety lever. Hole for umbrella.



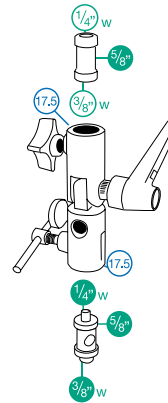
0.5kg



16mm



16mm + Camera Bracket Art. 143BKT



### SWIVELLING ADAPTER **026**

Baby female multi-adapter, free to rotate.



17.5mm

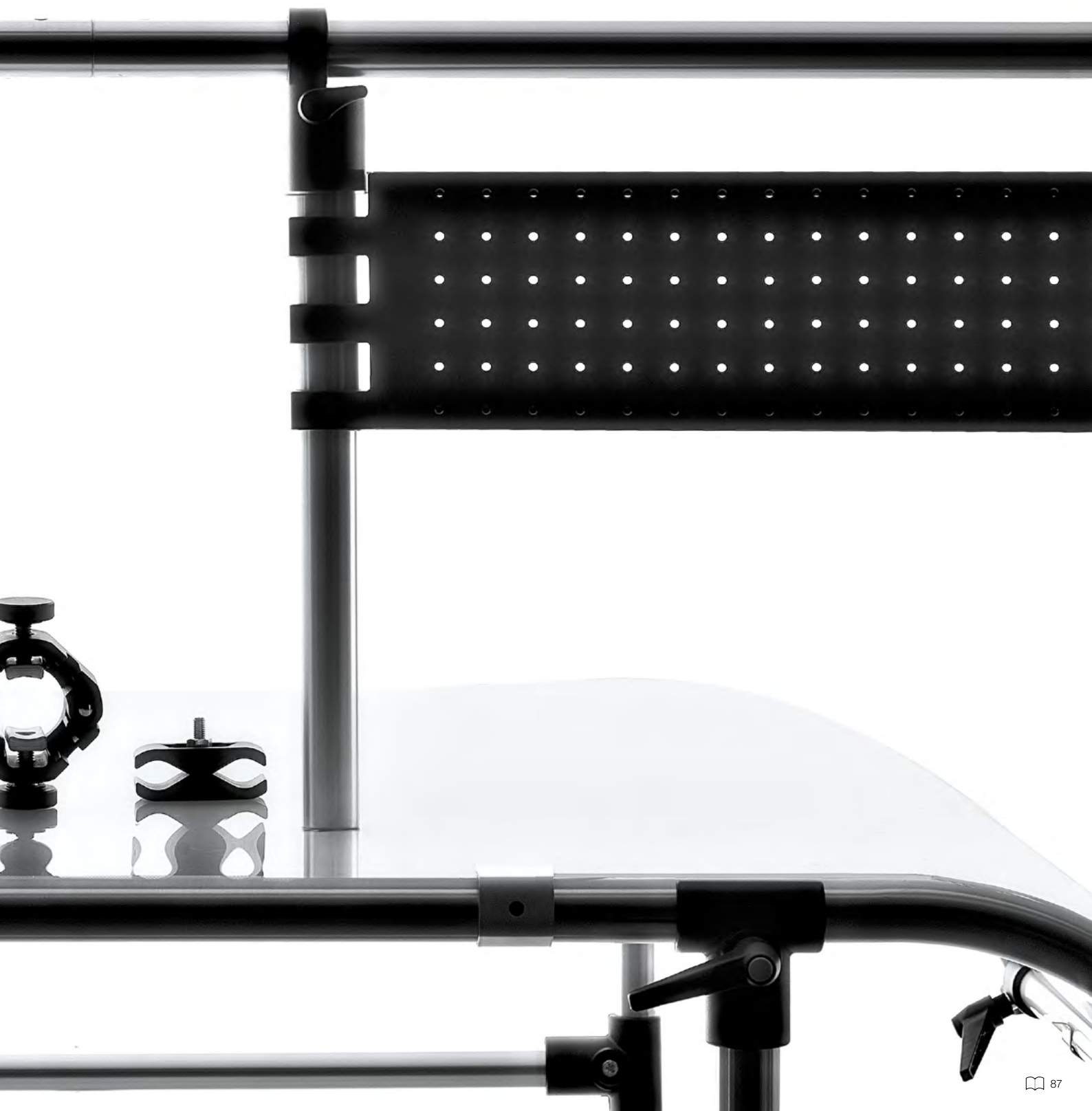


17.5mm

Still Life



Indispensable for all professional still life photographers, Manfrotto Still Life tables are made with lightweight aluminium tubing, dedicated clamps and translucent white Perspex covers for back- or front-lighting of your subject. Their design allows continuous adjustment of the curved backdrop at different angles, making them ideal for product photography. Full modularity makes the table easy to assemble and disassemble. The Manfrotto Still Life line is complete with the well-known Multiclamp system. This extremely flexible and modular system allows you to design and create all sorts of supports that can be easily set up, dismantled and reused for completely different applications. Several accessories will allow you to deal with specific problems.



Multi-purpose shooting tables.

Model 220 is fully compatible with the Multiclamp range giving you the possibility to modify and adapt its features to your needs.

Easily assembled/disassembled aluminium structure.



**STILL LIFE TABLE 220 B**

Still Life Table with white, translucent perspex cover for back or front lighting.  
 Size of panel: 200x122cm.  
 Distance from floor to flat surface: 83cm.  
 Height with back on vertical position: 193cm.  
 Adjustable tilting back.



18.6kg



15kg

**STILL LIFE TABLE WITHOUT COVER 220PSL B**

Not illustrated

Same as 220, without perspex cover.

**PERSPEX COVER FOR STILL LIFE TABLE 220PX**

Not illustrated

White, translucent perspex cover for back or front lighting.  
 Size of panel: 200x122cm.



Quick-change spring clips hold the table cover to the frame.



Adjustable tilting back.



Easy tool-free assembly.



**MINI STILL LIFE TABLE 320 B**

Smaller version of Still Life Table model 220. Size of panel: 150x78cm.  
 Distance from floor to flat surface: 70cm.  
 Height with back in vertical position: 157cm.  
 Adjustable tilting back and adjustable front legs.



10kg



10kg

**MINI STILL LIFE TABLE WITHOUT COVER 320PSL B**

Not illustrated

Same as 320, without perspex cover.

**PERSPEX COVER FOR MINI STILL LIFE TABLE 320PX**

Not illustrated

White, translucent perspex cover for back or front lighting.  
 Size of panel: 150x78cm.

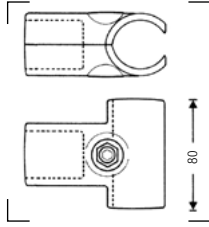


Adjustable tilting back.



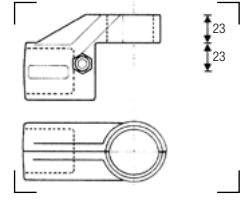
Easy tool-free assembly.





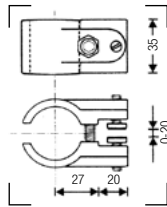
**"T" CLAMP MT004**

Used like MT001, when a stronger connection is required.



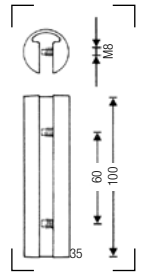
**RIGHT ANGLE CLAMP MT005**

Used to connect a third or fourth crossing tube on the same axis.



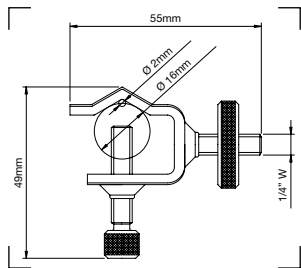
**PANEL CLAMP MT013**

Used to clamp large panels.



**TUBE CONNECTOR MT020**

Used to connect two tubes end to end.

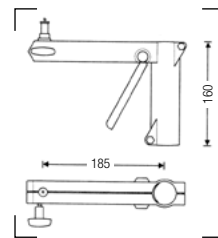


**MICRO CLAMP 196AC**

Grips items from 2mm to 16mm thick.



0.06kg



**SLIDING SUPPORT ARM 231ARM**

Quick release arm, used to mount standard 16mm light fixtures, attachments 16mm female and Spigot 013 (16mm male and 1/4" - 3/8" screws).



**WHEEL SET 104**

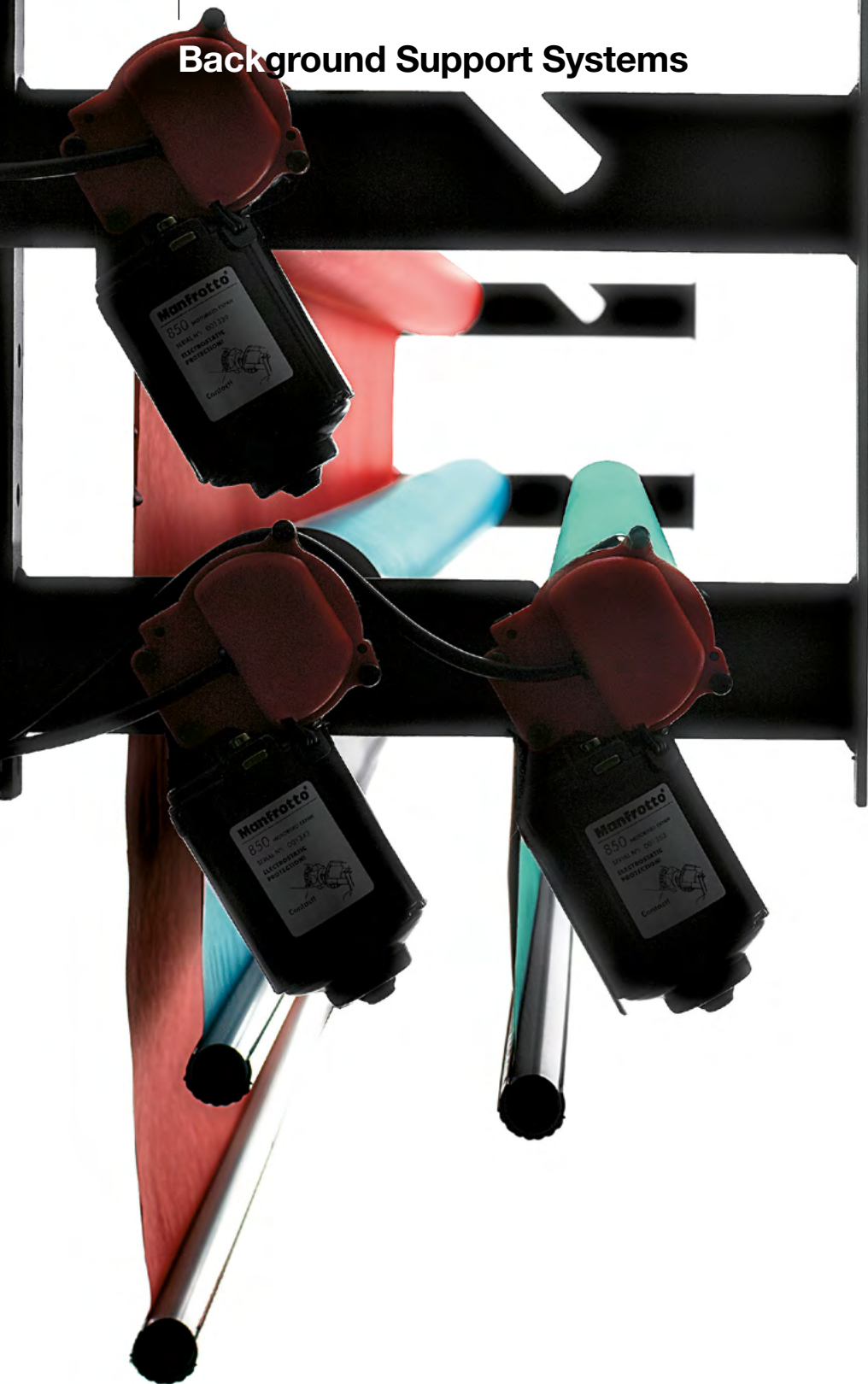
Wheel set Ø: 75mm with brakes and M10 attachment. Set of three.



**WHEEL SET 104G**

Ø: 100mm without brakes, with M10 attachment. Set of three.

# Background Support Systems



Our extremely modular background support system is reliable, simple to use and flexible enough to match most of your support needs for paper, drapable, hand-painted or canvas backgrounds, in the studio or on location. For core mounted backgrounds the system used is based on the Expan chain operated drive developed by Manfrotto.

The Expan can be mounted on dedicated hooks which vary in shape and design depending on the number of backgrounds to be used.

If, as usually happens with canvas backgrounds, there is no central core around which to wrap the background material, Manfrotto provides a three section telescopic pole that can be attached on top of a set of two stands, making it ideal for location assignments.

The Manfrotto background support system is based on the Expan, a fast and efficient background drive set. Insert the EXPAN into the background roll, block and use the chain to roll the paper up and down as you wish. A system of hooks is available in pairs and can support 1, 3 or 6 backgrounds when used in conjunction with the Expan. B/P Hooks can be attached to Autopole by using the Super Clamp 035 or screwed directly onto a wall or ceiling.



**EXPAN WITH METAL CHAIN 046MC**

Background paper drive set for one roll. Including metal chain. Expands from: Ø 46mm to 78mm.

-  1.2kg
-  10kg



**EXPAN ATTACHMENT 081**

Another quick solution to hang your expan up to a baby stand.

-  0.204kg
-  Type 1



**B/P SINGLE HOOKS 059WM**

Wall fixing background paper holder set for one Expan 046. Complete with screw set.

-  0.54kg



**B/P SINGLE HOOKS 059**

Set of two wall fixing background paper holders for one Expan 046. Plugs into Super Clamp 035 socket.

-  0.42kg



**B/P CLAMPS 044**

Same as 045 but ready for use on Autopoles®, including two Super Clamp 035.



2.85kg



**B/P TRIPLE HOOKS 045**

Set of two background paper holders for three Expan 046.  
Can be fixed to a wall with supplied studs and screws, or to Super Clamp 035 by means of supplied screw set.



2.05kg



**B/P HOOKS 045-6**

Set of two brackets for six Expan 046 sets.  
To be fixed to a wall with supplied screws.



4.4kg

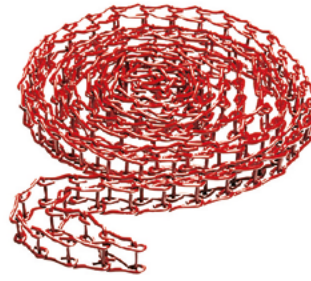


**CHAIN WEIGHT 094**

Provides weight to keep Expan chain tight.



0.3kg



**EXPAN RED METALLIC CHAIN 091MCR**

Red Metal chain for Expan system, total length 3,5m



0.6kg



**B/P COUNTERWEIGHT 062-2**

Counterweight for background paper in 2 sections.  
Length: 275cm.



0.85kg



**ALU-CORE 047-2**

Aluminium core in 2 sections Ø: 50mm for uncored back round paper.  
Has adhesive tape for sticking on paper. Length: 275cm.



1.28kg

**ALU-CORE 047-3**

Not illustrated

Same as 047-2 but longer. Length: 366cm.



1.28kg



### SET STANDS KIT **1314B**

Designed to support rolls or sheets of background paper or any other ground material.

The kit comprises of:

- 1 x 3 Section Telescopic Pole Art. 272B,
- 2 x Baby Stand,
- 2 x Mini Spring Clamp Art. 275 and Transport Kit Bag.

\* distributed on background roll



4.2kg



10kg\*

### TELESCOPIC POLE **272B**

Not illustrated

3 section telescopic background pole on it's own.

Minimum extension: 112cm.

Maximum extension: 298cm.

Weight: 0.85kg.

Attachment: type 25.



# Sky Track System





Ideal for all photo and video studios where the floor needs to be kept totally clear of power cables and lighting stands, the Sky Track System permits rapid manoeuvre and setting of suspended large lights or lights with awkwardly sized accessories like soft boxes.

It solves positioning problems even on complex sets or in studios of the most unusual dimensions, and offers considerable advantages and ease of use compared to traditional floor stands.

Manfrotto Sky Track System has a broad range of accessories to adapt your space to the ideal studio and to provide perfect compatibility with all types of lights, whether photographic, video or film.

The Sky Track System is a comprehensive range of lighting suspension for all situations from small studios to the largest ones. Manfrotto line includes the versatile ceiling mounted, rails, manual and motorised pantographs and a wide range of brackets and support.



**BLACK ANODISED 3M RAIL FF6003B**

These rails are made in section of black anodised aluminium in standard lengths as listed. For fixed rails, longer sizes are obtainable by fitting two or more rails together. Sliding rails cannot be joined. To connect two fixed rails use code FF3208. You must always support the junction of two rails with a ceiling attachment placed on the junction itself. Moving rails longer than 3m must be supported with more than two fixed rails. The maximum distance (B) between any of these fixed rails is 2m (see drawing).

**ANCHORAGE POINT**

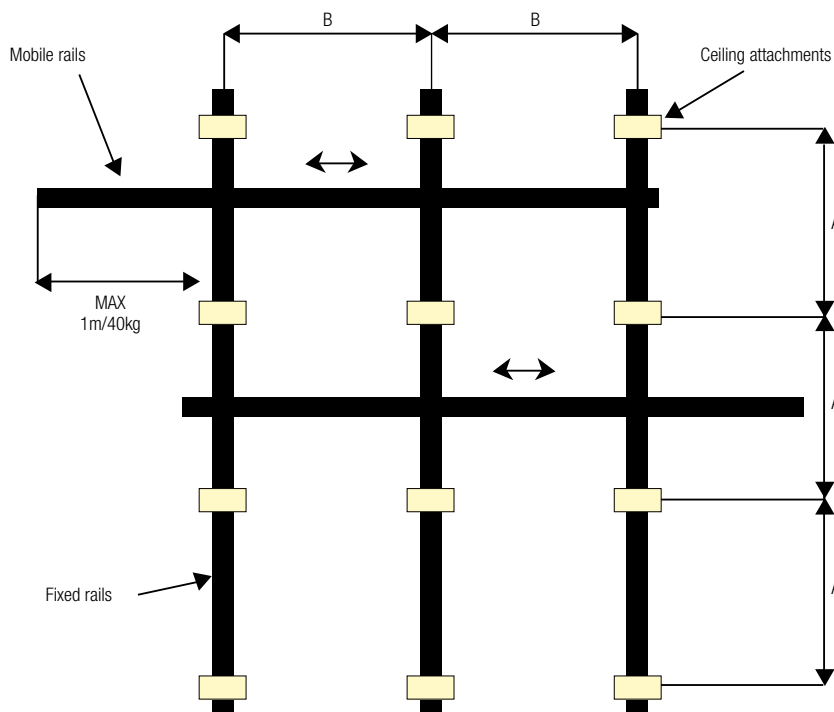
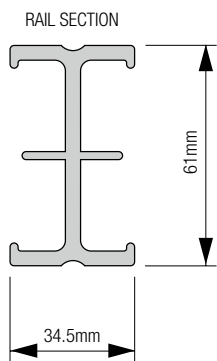
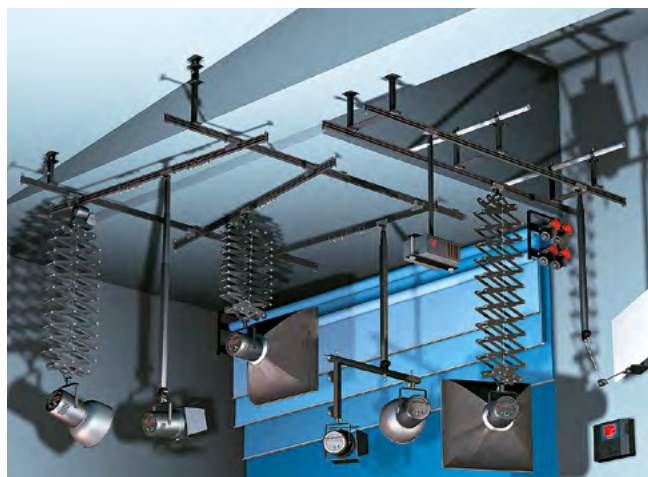
The spacing of the rail support brackets depends on the load anticipated on the rail itself, but should generally be in accordance with the table below, "A" indicates the distance between two anchorage points. However we advise that fixing brackets should not be spaced more than 2m apart.

**BLACK ANODISED 4M RAIL FF6004B**

Not illustrated

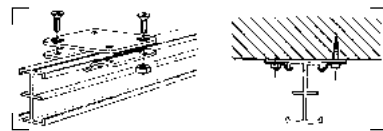
**BLACK ANODISED 5M RAIL FF6005B**

Not illustrated



Rail working Max load chart

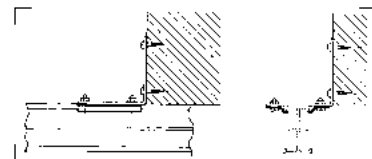
| A (mm) | Weight (kg) |
|--------|-------------|
| 1000   | 200         |
| 1500   | 100         |
| 2000   | 50          |



### BRACKET FOR CEILING ATTACHMENT **FF3210**

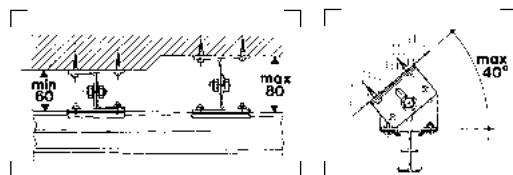
Bracket for ceiling attachment of the rail.

It is advisable to pre-assemble these brackets on the rails at ground level to ensure correct alignment before screwing to a ceiling.



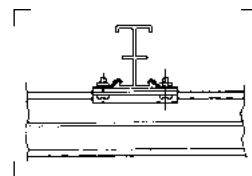
### ANGLE BRACKET ("L"-SHAPED) FOR FIXING TO BEAMS **FF3212**

Bracket for wall attachment of the rail.



### ADJUSTABLE BRACKET FOR IRREGULAR CEILINGS **FF3215**

Allows height differences in ceilings of maximum 2cm; combining two brackets you can compensate for differences of maximum 4cm.



### DOUBLE BRACKET FOR RAIL CROSSINGS **FF3211**

This is used to permanently attach two rails at a right angle or parallel.



**CEILING BRACKET WITH 50CM EXTENSION FF3218**

Used alone or in combination these brackets allow the attachment of the rails at the desired height.

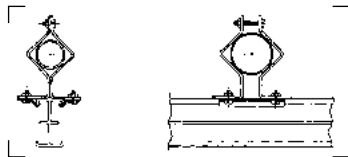
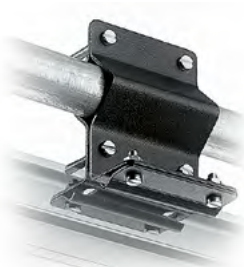
**CEILING BRACKET WITH 100CM EXTENSION FF3220**

Not illustrated



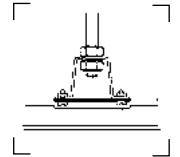
**EXTENSION BRACKET FOR VARIOUS HEIGHTS FF3215A**

Its length is adjustable from 10cm to 15.5cm. Using the clamp screw, you can obtain all intermediate sizes. Provided with a security lock, in case the regulating screw loosens, blocks the bracket at maximum extension. It's used to compensate for height differences in ceilings of 5.5cm or more, with combinations of other brackets. It's also used for obtaining intermediate sizes in combination with the extendable ceiling brackets.



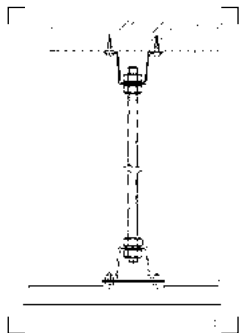
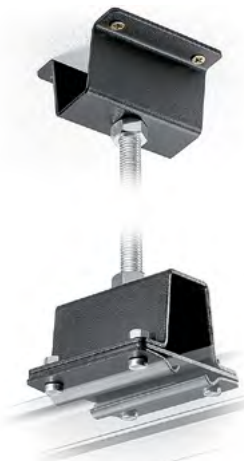
**BRACKET FOR TUBE ATTACHMENT FF3214**

This can be fastened to tubes with diameters from 35mm to 50mm inclusive. It's used to directly support the rail that can be fixed in place either longitudinally or transversely. This bracket can be used as a brace for fixed supports, as well.



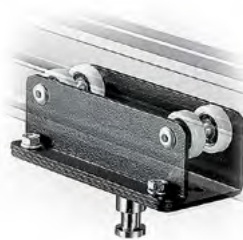
**BRACKET FOR CEILING ATTACHMENT FF3214A**

Can be attached directly by screws or rods with a maximum diameter of 1/2". Before mounting the bracket it is advisable to standardize the length of both the rods and screws. Fix the bracket between a nut allowing the screw on the inside of the bracket to protrude about 1.5cm. When fixture is completed, it is then possible to regulate a perfect rail levelness by adjusting the nuts which fasten the brackets.



**RAIL MOUNTING KIT WITH M12 STUD FF3214B**

Comprised of a bracket to be attached to the ceiling with 4 screws, a 1m long M12 rod completely threaded, 4 M12 nuts, and a bracket for the rail fixture. The rod can be cut to the desired size and then attached to the bracket by way of the nuts supplied. The rod must protrude approx 1cm on the inside of the bracket. When fixture is completed, it is then possible to regulate a perfect rail levelness by adjusting the nuts which fasten the brackets.



**DISMOUNTABLE SLIDING CARRIAGE WITH 4 WHEELS AND 16MM SPIGOT FF3228**

This carriage can be inserted directly at any point on the rail by unscrewing the wheel plate. This is used when it becomes necessary to add a supplementary carriage to an already assembled RAIL SYSTEM installation. It is free-sliding and is suitable for normal loads.



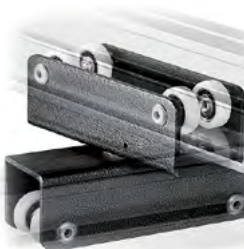
SLIDING CARRIAGE WITH  
4 WHEELS AND 16MM SPIGOT **FF3230**

It is free-sliding carriage.  
It is suitable for normal weight loads up to 60kg.



SLIDING CARRIAGE WITH 4 WHEELS,  
BRAKE AND 16MM SPIGOT **FF3229**

This is provided with a brake which keeps it locked in the position where it is placed.  
It is suitable for normal loads up to 60kg.  
To release brake pull down on wire with operating pole.



DOUBLE SLIDING CARRIAGE **FF3232**

Both the upper carriage and the lower one are free-sliding.



DOUBLE SLIDING CARRIAGE  
WITH DOUBLE BRAKE **FF3235**

This is equipped with brakes on both upper and lower carriages.  
The upper brake blocks the carriage on the fixed rail,  
while the lower carriage's brake blocks the sliding of the moving rail.



DOUBLE SLIDING CARRIAGE WITH ONE BRAKE **FF3236**

This is provided with a brake on only one carriage. Normally, the carriage with brake is mounted on the fixed rail so that it is locked into place enabling the mobile rail to slide. If the carriage with brake is mounted onto the mobile rail, you obtain the opposite effect, that is, the sliding of the mobile rail gets blocked, while the carriage can freely slide on the fixed rail.



FIXED BRACKET ON RAIL WITH 16MM SPIGOT **FF3856**

The 16mm spigot allow the mounting of lights or accessories with 16mm female attachment.



**KIT OF 4 END STOPS WITH 4 CABLE CARRIAGES FF3207**

These fit to the holes on the ends of a rail to prevent carriages leaving the rail and to prevent moving rails leaving their carriages.  
**IMPORTANT:** must be fitted to upper and lower holes on moving rails but only to lower holes on fixed rails.



**ALIGNING CONNECTORS FOR FIXED RAILS FF3208**

A pair of clamp plates with screws to join two fixed rails together by clamping across the junction on the upper guide, using holes provided in the rail.  
**IMPORTANT:** the junction must always be supported by a rail-mounting bracket placed astride



**KIT OF 5 CABLE CARRIAGES WITH BEARING FF3226C**

These are from the end of the rail and run on ball-bearings. They are suitable for heavy cables.



**KIT OF 5 CABLE CARRIAGES FF3226**

These are inserted from the end of the rail. They do not need wheels as they they slide along the rail and are suitable for normal cables.



**OPERATING POLE 427B-4.0**

4 sections, 3 risers. Ø: 28, 24, 20, 16mm.  
 Minimum extension: 160cm. Maximum extension: 400cm.  
 Closed length: 142cm.

**OPERATING POLE 427B-6.5**

Not illustrated

4 sections, 3 risers. Ø: 28, 24, 20, 16mm.  
 Minimum extension: 220cm. Maximum extension: 650cm.  
 Closed length: 200cm.



**SPIGOT ADAPTER 013**

Both sides have 16mm spigot. Used to connect two units with 16mm female attachment or to obtain 16mm spigot from a 16mm female attachment.



**16MM FEMALE ADAPTER 158**

Both sides have a 16mm attachment. Used to connect two units with 16mm spigot, or to obtain a 16mm female attachment from 16mm spigot.



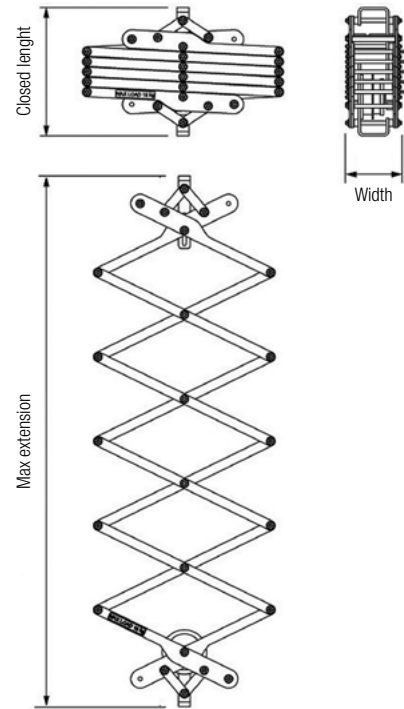
**POLE OPERATED TELESCOPIC BAR 362**

Designed to support heavy light fittings, and provide pole operated pan plus tilt.  
 Closed length: 35.5cm.  
 Maximum height: 49cm.  
 Male attachment Ø 28mm and 16mm.



**POWER SUPPLY CABLE FF3278**

15m of three-core cable (3 x 1.5 Sqmm) with special sockets for lighting fixture.



## PANTOGRAPH TOP 4C FF3514N86

The pantograph is made of aluminium (P-Al MgSi UNI 3569) and manufactured according to DIN 15560-46. The attachments at both ends of the pantograph are 16mm, male on the bottom and female on the top. The load is supported by a steel cable of 2mm. diameter (safety factor 12). Loads up to 12kg can be suspended using only the patented friction device, while loads up to a maximum of 18kg require the use of the optional springs. The pantograph can be regulated to keep suspended loads from 1 to 18kg perfectly balanced. By turning the colored notched ring you can adjust the pantograph's friction; this will ensure that the load remains stable when set in position, but that it will move smoothly up and down when necessary. In any case, it is always advisable to use the springs to aid raising your pantograph. When choosing the additional spring(s) for your pantograph, you will first need to know exactly which model of pantograph you have, in order that you can select the spring of the correct length. If you have one of the new compact pantographs (with grey-painted "scissors"), look at the colour of notched ring the 2m version has a red notched ring, while the 3.8m version has a blue notched ring. After having identified the length of the pantograph, choose the appropriate spring(s) by referring to the table below.

| Model              | FF3514N86     |
|--------------------|---------------|
| Lifting rope       | 2mm wire rope |
| Safety factor rope | 12            |
| Self weight        | 7.3kg         |
| Max working load   | 18kg          |
| Closed length      | 38cm          |
| Max extension      | 380cm         |
| Width              | 15cm          |





|                    |                  |
|--------------------|------------------|
| <b>Model</b>       | <b>FF3512N86</b> |
| Lifting rope       | 2mm wire rope    |
| Safety factor rope | 12               |
| Self weight        | 4.7kg            |
| Max working load   | 18kg             |
| Closed length      | 27cm             |
| Max extension      | 200cm            |
| Width              | 15cm             |

**PANTOGRAPH TOP 2C FF3512N86**

Same as FF3514N86 but shorter.



**SPRING TYPE 4 RED FF3531**

Additional Spring for pantograph top 2C.



**SPRING TYPE 4 BLUE FF3533**

Additional Spring for pantograph top 4C.

**SPRING TYPE 12 RED FF3532**

Not illustrated

Additional Spring for pantograph top 2C.

**SPRING TYPE 12 BLUE FF3534**

Not illustrated

Additional Spring for pantograph top 4C.

| Spring type      | Counterbalanced weight |
|------------------|------------------------|
| Without spring   | From 0kg to 4kg        |
| Type 4           | From 3kg to 8kg        |
| Type 4 + Type 4  | From 8kg to 14kg       |
| Type 12          | From 9kg to 16kg       |
| Type 4 + Type 12 | From 13kg to 18kg      |



**TELESCOPIC POST EXTENDIBLE  
FROM 85CM TO 203CM FF3248**

A telescopic system for the balanced suspension of loads. Adjustable in height with automatic positioning at the desired position. A female attachment with safety plug and locking lever is fitted at each end. The safety plug has a latch with push-button release. To adjust the balance of the load, rotate the handle clockwise or counterclockwise. It sustains loads from 1.5kg up to 12kg max.

**SMALL TELESCOPIC POST EXTENDIBLE  
FROM 60CM TO 128CM FF3249**

Not illustrated

Same as FF3248, extendable from 60cm to 128cm.



**EXTENSION TUBE 50CM LONG FF3240**

These are fixed extenders which have a female 16mm attachment at each end. You fix them directly on the spigot of single carriages or to the fixed support FF3222.

**EXTENSION TUBE 100CM LONG FF3242**

Not illustrated

Same as FF3240, 100cm long.



**SAFETY STEEL CABLE FF3276**

Complete with spring catch and hook-up slot. Recommended for TELESCOPIC POST and TOP PANTOGRAPH in order to avoid accidental falling of equipment. Ø 2mm - Length 350mm.

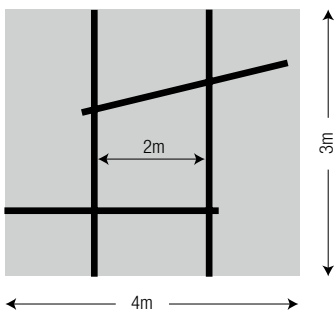


### TOP SYSTEM 33 **FF3033**

Complete kit for small studios composed of 2 fixed rails 3m long, 2 mobilerails 3m long and supports for 3 light sources (1 Top Pantograph and 2 Telescopic Post).

The kit is composed of:

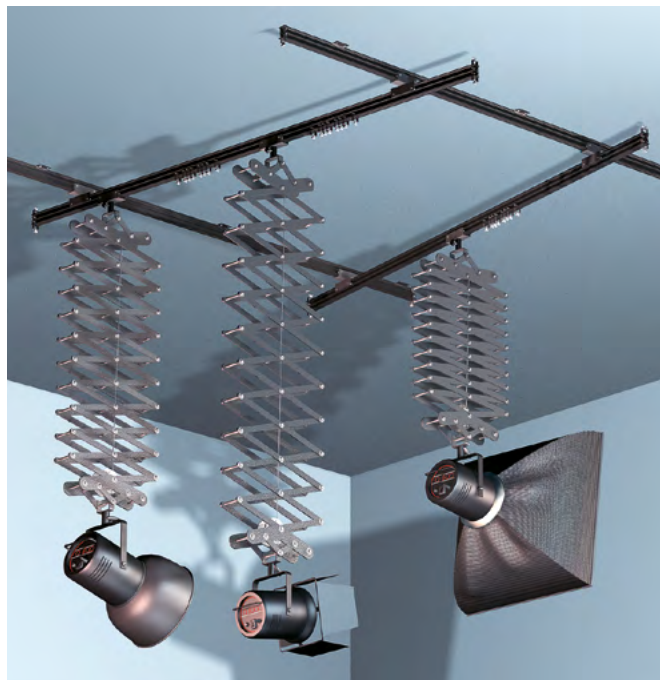
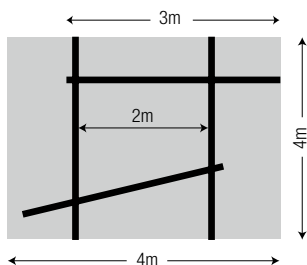
- 4 Rails 3m long- FF6003B.
- 3 Kits of 4 endstops - FF3207.
- 6 Brackets for ceiling fixture - FF3210.
- 3 Kits of 5 cable carriages - FF3226.
- 3 4-wheeled sliding carriages with 16mm spigot - FF3230.
- 2 Double sliding carriages - FF3232.
- 2 Double sliding carriages with single brake - FF3236.
- 2 Telescopic Post extendable from 85cm to 203cm - FF3248.
- 1 Top Pantograph extendable from 40cm to 200cm - FF3512N86.
- 2 Universal spigot adapters 16mm - 013.
- 3 Safety steel cable - FF3276.



### TOP SYSTEM 43 **FF3043**

Complete kit for medium-sized studios composed of 2 fixed rails 4m long, 2 mobile rails 3m long and supports for 3 light sources (3 Top Pantographs). The kit is composed of:

- 2 Rails 3m long - FF6003B.
- 2 Rails 4m long - FF6004B.
- 3 Kits of 4 endstops - FF3207.
- 6 Brackets for ceiling fixture - FF3210.
- 3 Kits of 5 cable carriages - FF3226.
- 3 4-wheeled sliding carriages with 16mm spigot - FF3230.
- 2 Double sliding carriages - FF3232.
- 2 Double sliding carriages with single brake - FF3236.
- 3 Top Pantograph extendable from 40cm to 200cm - FF3512N86.
- 3 Safety steel cable - FF3276.

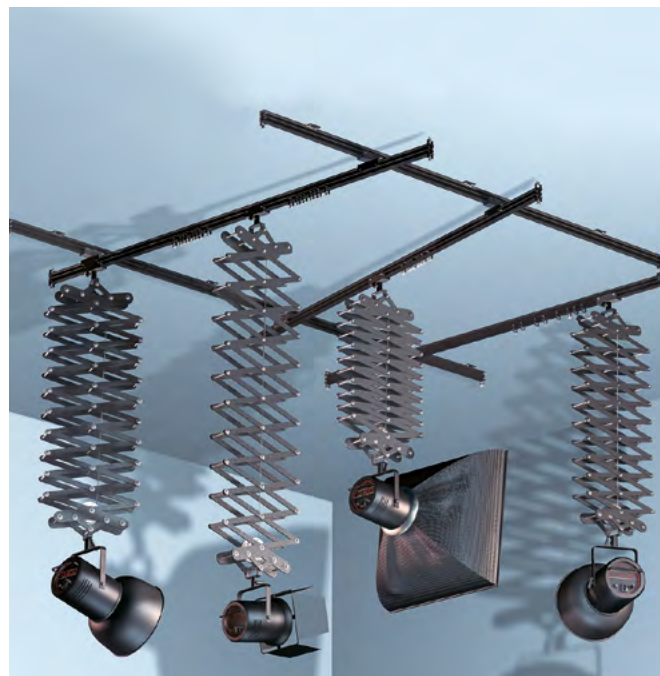
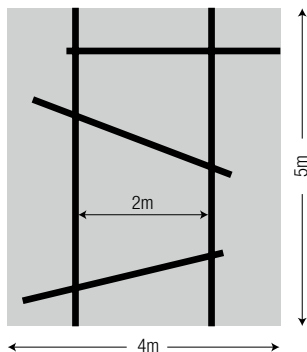


### TOP SYSTEM 54 **FF3054**

Complete kit for large studios composed of 2 fixed rails 5m long, 3 mobile rails 3m long and supports for 5 light sources (4 Top Pantographs).

The kit is composed of:

- 2 Rails 5m long - FF6005B.
- 3 Rails 3m long - FF6003B.
- 4 Kits of 4 endstops - FF3207.
- 8 Brackets for ceiling fixture - FF3210.
- 4 Kits of 5 cable carriages - FF3226.
- 4 4-wheeled sliding carriages with 16mm spigot - FF3230.
- 3 Double sliding carriages - FF3232.
- 3 Double sliding carriages with single brake - FF3236.
- 4 Top Pantograph extendable from 40cm to 200cm - FF3512N86.
- 4 Safety steel cable - FF3276.



# Adapters

| MODEL                   | 1/4" W thread Male          | 1/4" thread Female     | 3/8" thread Male         | 3/8" thread Female       | Spigot 5/8" Male                  | Bushing 5/8" Female         | Spigot 1 1/8" Male    | Bushing 1 1/8" Female | Hexagon 16 mm Male                | Diameter 3/8" Female | Diameter 3/8" Male | Diameter 17mm Male (JP) | M10 Male         | M10 Female   | M12 Male         | Diameter 1/2" Male | Screw for fixings | Other                  |
|-------------------------|-----------------------------|------------------------|--------------------------|--------------------------|-----------------------------------|-----------------------------|-----------------------|-----------------------|-----------------------------------|----------------------|--------------------|-------------------------|------------------|--------------|------------------|--------------------|-------------------|------------------------|
| 1/4" W thread Male      |                             |                        | 013<br>037<br>118<br>147 | 015<br>151               | 013<br>118<br>E300                | 016<br>194<br>195<br>014-14 | 019-14                |                       | 037<br>036-14                     |                      |                    |                         |                  |              |                  |                    |                   |                        |
| 1/4" thread Female      |                             |                        | 088<br>088LBP<br>148KN   | 016<br>066<br>119        | 016<br>119                        |                             |                       |                       | 066                               | 188                  | 149                |                         |                  |              |                  |                    |                   |                        |
| 3/8" thread Male        | 013<br>037<br>118<br>147    | 088<br>088LBP<br>148KN | 125                      | 184                      | 013<br>118<br>191                 | 179<br>014-38<br>014BIM     | 019<br>163-38         |                       | 037<br>036-38                     | 182                  |                    |                         |                  |              |                  |                    |                   |                        |
| 3/8" thread Female      | 015<br>151                  | 016<br>066<br>119      | 184                      |                          | 016<br>119<br>151<br>186          | 016                         |                       |                       | 066                               |                      |                    |                         |                  |              |                  |                    |                   |                        |
| Spigot 5/8" Male        | 013<br>118<br>E300          | 016<br>119             | 013<br>118<br>191        | 016<br>119<br>151<br>186 | 013<br>E250                       | 153<br>159<br>E100          | 019<br>019-14<br>E200 |                       | 036-14<br>036-38<br>036I<br>036MR | 182<br>188           | 192                | 185                     | E110             | 187<br>066BT |                  |                    | E610              | C1000<br>C1100<br>E650 |
| Bushing 5/8" Female     | 016<br>194<br>195<br>014-14 |                        | 179<br>014-38<br>014BIM  | 016                      | 153<br>159<br>E100                | 158                         | 163-58F               |                       |                                   |                      | 194                |                         | 014MS            |              |                  | 159                |                   | 152<br>E390            |
| Spigot 1 1/8" Male      | 019-14                      |                        | 019<br>163-38            |                          | 019<br>019-14<br>E200             | 163-58F                     |                       |                       |                                   |                      |                    |                         | 163-10<br>620-10 |              | 163-12<br>620-12 |                    |                   |                        |
| Bushing 1 1/8" Female   |                             |                        |                          |                          |                                   |                             |                       |                       |                                   |                      |                    |                         |                  |              |                  |                    |                   |                        |
| Hexagon 16 mm Male      | 037<br>036-14               | 066                    | 037<br>036-38            | 066                      | 036-14<br>036-38<br>036I<br>036MR |                             |                       |                       |                                   |                      |                    |                         |                  |              |                  |                    |                   | E620                   |
| Diameter 3/8" Female    |                             | 188                    | 182                      |                          | 182<br>188                        |                             |                       |                       |                                   |                      |                    |                         |                  |              |                  |                    |                   |                        |
| Diameter 3/8" Male      |                             | 149                    |                          |                          | 192                               | 194                         |                       |                       |                                   |                      |                    |                         |                  |              |                  |                    |                   |                        |
| Diameter 17mm Male (JP) |                             |                        |                          |                          | 185                               |                             |                       |                       |                                   |                      |                    |                         |                  |              |                  |                    |                   |                        |
| M10 Male                |                             |                        |                          |                          | E110                              | 014MS                       | 163-10<br>620-10      |                       |                                   |                      |                    |                         |                  |              |                  |                    |                   |                        |
| M10 Female              |                             |                        |                          |                          | 187<br>066BT                      |                             |                       |                       |                                   |                      |                    |                         |                  |              |                  |                    |                   |                        |
| M12 Male                |                             |                        |                          |                          |                                   |                             | 163-12<br>620-12      |                       |                                   |                      |                    |                         |                  |              |                  |                    |                   |                        |
| Diameter 1/2" Male      |                             |                        |                          |                          |                                   | 159                         |                       |                       |                                   |                      |                    |                         |                  |              |                  |                    |                   |                        |
| Screw for fixings       |                             |                        |                          |                          | E610                              |                             |                       |                       | E620                              |                      |                    |                         |                  |              |                  |                    |                   |                        |
| Other                   |                             |                        |                          |                          | C1000<br>C1100<br>E650            | 152<br>E390                 |                       |                       |                                   |                      |                    |                         |                  |              |                  |                    |                   |                        |

All Manfrotto adapters provide for a high level of customization, thanks to a wide range that can accept any lighting fixture, in order to match any requirement.



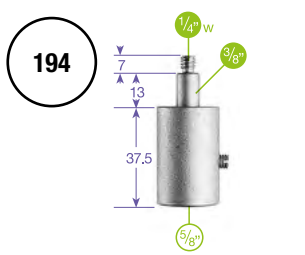
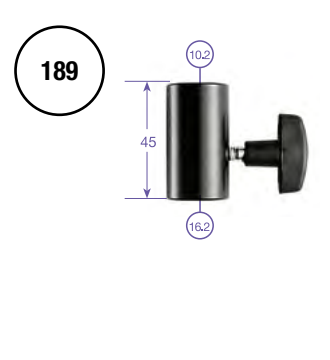
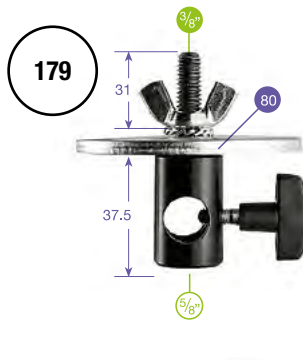
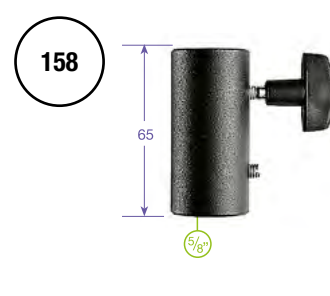
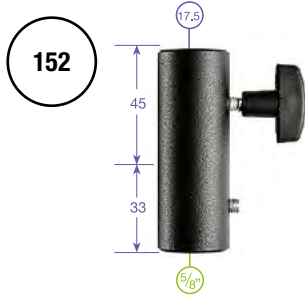
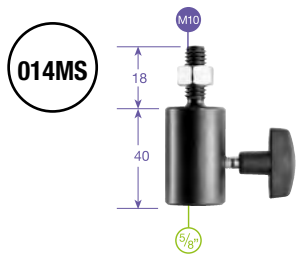
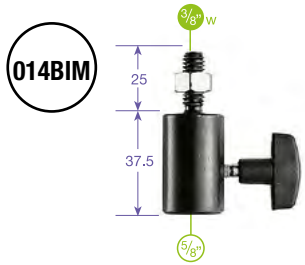
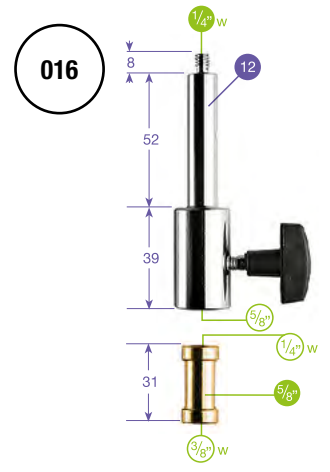
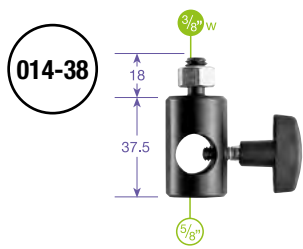
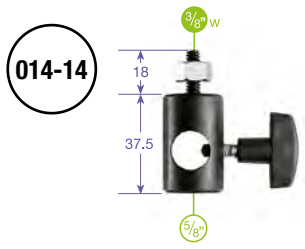
All measurements shown are metric unless otherwise stated.

$\frac{1}{4}''$  Indicates an external thread or stud diameter  
 ● Metric ● Imperial

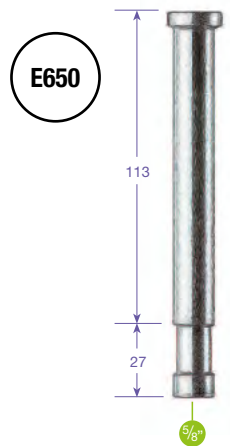
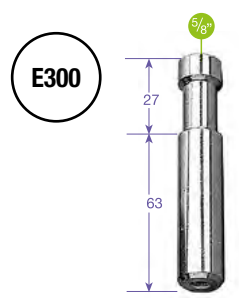
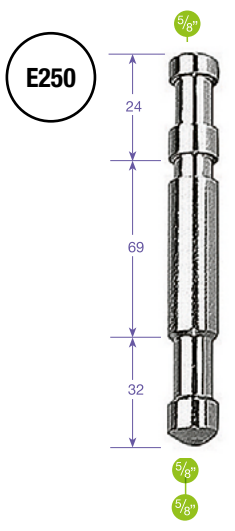
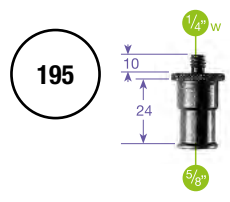
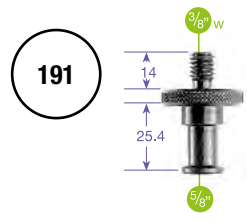
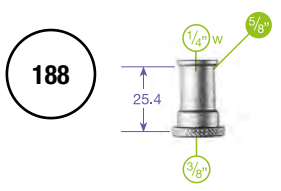
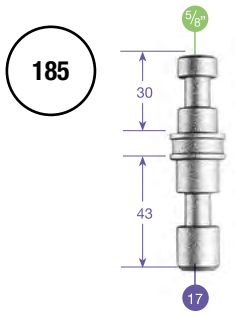
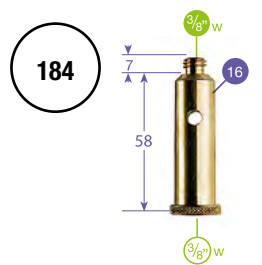
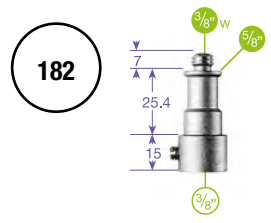
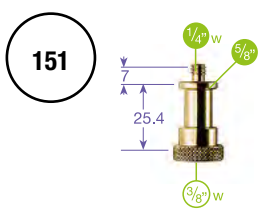
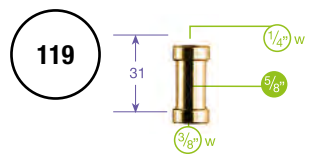
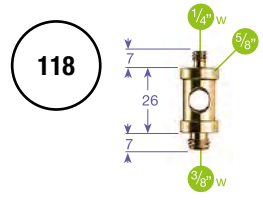
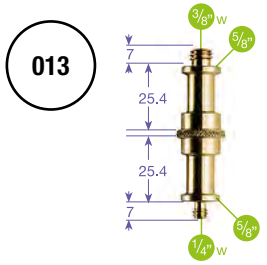
$\frac{1}{4}''$  Indicates an internal thread or socket diameter  
 ● Metric ● Imperial

**W:** Whitworth thread

16MM FEMALE ADAPTERS



16MM MALE ADAPTERS

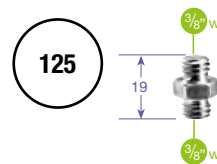
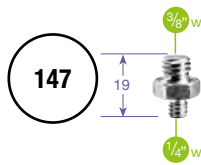
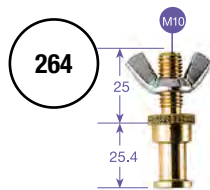
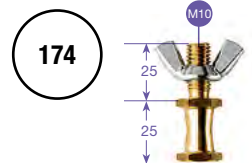
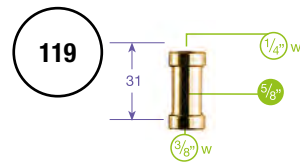
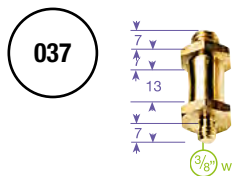
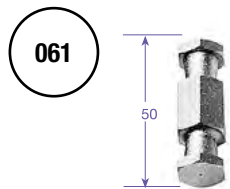
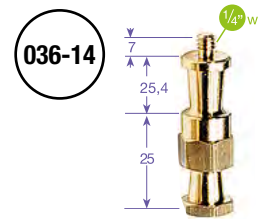
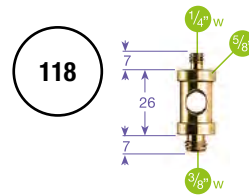
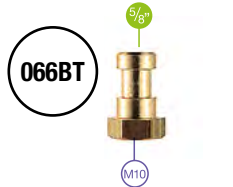
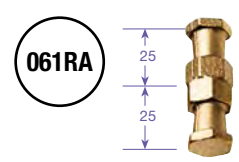
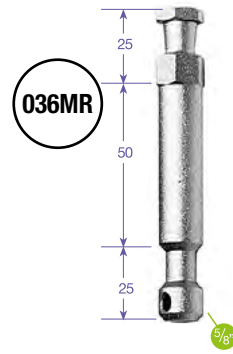
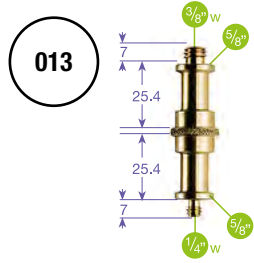




28MM MALE ADAPTERS



SUPER CLAMP ADAPTERS



# Filters

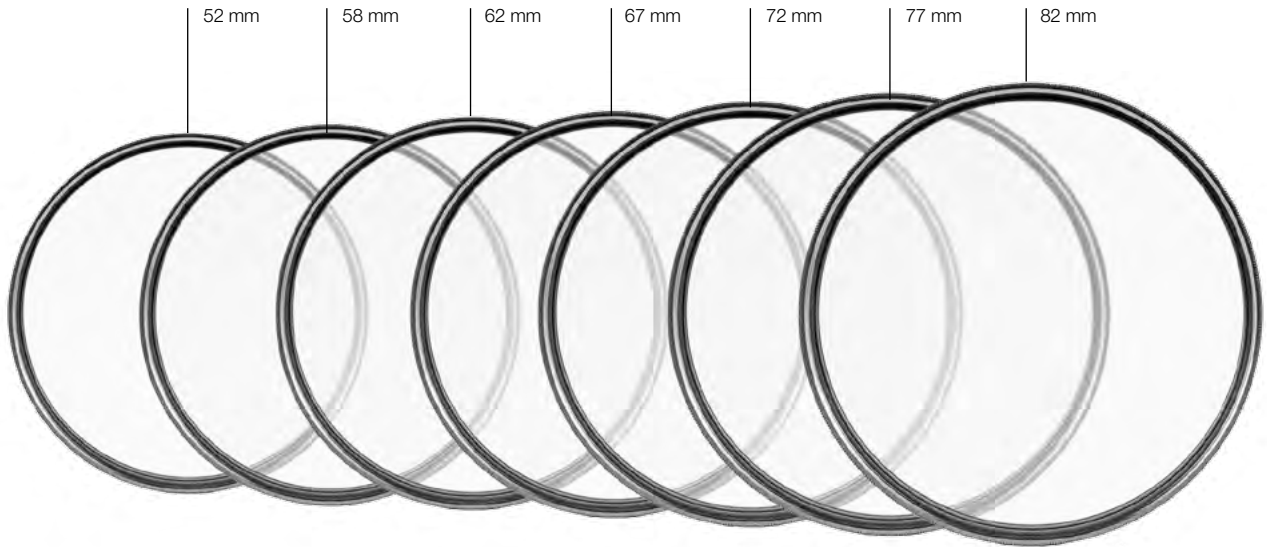
Manfrotto offers a full range of digital camera filters developed to meet the needs of professional and enthusiast photographers. Manfrotto filters are available in a variety of types, including UV Protective, CPL and ND.

Each filter type is available in different versions: Essential, Advanced, Professional, ND8, ND64 and ND500. The different versions offer diverse levels of protection and performance. The double sided anti-reflection coating eliminates reflections while additional coatings provide water and dust repellency and

oil and scratch resistance, making the filter easy to clean and maintain. Ultra-thin frame design makes vignetting extremely low, and a matte coating minimizes reflections. Every filter is provided with a filter case where you can store your filter and prevent accidental scratches.

To maintain our filters, blow dirt and dust with a blower or wipe with a cleaning paper or cloth. For heavy stains, use a lens cleaning liquid and cleaning cloth. Never use water or detergent for cleaning the filter.

All Manfrotto filters are available in the following sizes:



|                           | UV FILTER  |  | PROTECT FILTER  | CIRCULAR POLARISING FILTER  |   |   | NEUTRAL DENSITY FILTER   |   |  |
|---------------------------|--|--|---|---|---|---|--|---|--|
|                           | ESSENTIAL  | ADVANCED   | PROFESSIONAL  | ESSENTIAL   | ADVANCED  | PROFESSIONAL  | ND8  | ND64  | ND500  |
|                           | MFESSUV-52<br>MFESSUV-58<br>MFESSUV-62<br>MFESSUV-67<br>MFESSUV-72<br>MFESSUV-77<br>MFESSUV-82 | MFADVUV-52<br>MFADVUV-58<br>MFADVUV-62<br>MFADVUV-67<br>MFADVUV-72<br>MFADVUV-77<br>MFADVUV-82 | MFPROPTT-52<br>MFPROPTT-58<br>MFPROPTT-62<br>MFPROPTT-67<br>MFPROPTT-72<br>MFPROPTT-77<br>MFPROPTT-82 | MFESSCPL-52<br>MFESSCPL-58<br>MFESSCPL-62<br>MFESSCPL-67<br>MFESSCPL-72<br>MFESSCPL-77<br>MFESSCPL-82 | MFADVCPL-52<br>MFADVCPL-58<br>MFADVCPL-62<br>MFADVCPL-67<br>MFADVCPL-72<br>MFADVCPL-77<br>MFADVCPL-82 | MFPROCPL-52<br>MFPROCPL-58<br>MFPROCPL-62<br>MFPROCPL-67<br>MFPROCPL-72<br>MFPROCPL-77<br>MFPROCPL-82 | MFND8-52<br>MFND8-58<br>MFND8-62<br>MFND8-67<br>MFND8-72<br>MFND8-77<br>MFND8-82 | ND64-52<br>ND64-58<br>ND64-62<br>ND64-67<br>ND64-72<br>ND64-77<br>ND64-82 | ND500-52<br>ND500-58<br>ND500-62<br>ND500-67<br>ND500-72<br>ND500-77<br>ND500-82 |
| <b>Coating</b>            | 8 Layers   | 12 Layers  | 12 Layers   | 2 Layers  | 12 Layers   | 12 Layers   | 16 Layers  | 16 Layers   | 16 Layers  |
| <b>Light Transmission</b> | 99.0%  | 98.8%  | 99.3%   | 68.0%   | 68.1%   | 90.0%   | 12.5%  | 1.6%  | 0.2%   |
| <b>Water Repellent</b>    | ✓  | ✓  | ✓   | ✓   | ✓   | ✓   | ✓  | ✓   | ✓  |
| <b>Oil Repellent</b>      |  | ✓  | ✓   |   | ✓   | ✓   | ✓  | ✓   | ✓  |
| <b>Scratch Resistant</b>  |  | ✓  | ✓   |   | ✓   | ✓   |  |   |  |
| <b>Antistatic</b>         |  |  | ✓   |   |   | ✓   |  |   |  |



## UV FILTERS

The UV filters available in the Essential & Advanced collections absorb the wavelengths that are imperceptible to the human eye but generate an increase in haze factor and changes in color tone. They can be kept on the lens permanently to protect it from scratches and dirt without altering color rendition.

The **Essential UV** filter feature 8 multi layer anti reflection coating that reduce surface reflections while water repellent coating repels effectively water droplets.



The **Advanced UV** filter feature 12 multi layer anti reflection coating that increase reducing surface reflections while water repellent coating repels effectively water droplets.



## CIRCULAR POLARIZERS FILTERS

Circular Polarizers are useful in landscape photography in case you want to eliminate surface reflections from water, windows, glass and other reflective surfaces or in case you want to increase colour contrast and saturation. The polarizing effect is maximized when the direction of the sun makes a right angle with the direction of the lens.

The **Essential CPL** filter is the basic CPL filter that feature 2 multi layered coating featuring water repellent coating that repels water droplets.



The **Advanced CPL** filter is the 12 multi layered filter that feature anti-reflection coating that reduces surface reflections, it repels water droplets, oil and stains. Oil repellent coating allows easy wiping, which makes maintenance easier.



The **Professional CPL** filter is the ultimate professional circular polarizer filter. The filter feature a 12 multi layer coating with anti-reflection, water repellent coating, oil repellent coating and unique anti static coating. It has a 30% greater light transmission ratio than conventional polarizing filters.



## PROTECT FILTERS

The **Professional Protect** filter is the ultimate solution for protecting your lens against pollution and damages. The filter feature a 12 multi layer coating with anti reflection, water repellent coating, oil repellent coating and unique anti static coating. Oil repellent coating allows easy wiping, which makes maintenance easier while high water repellency protects the filter from water. The unique anti static coating prevents sticking of dirt and dust caused by static electricity, so it keeps dirt and dust off and if fine dust adhere it can be easily blown off.



## NEUTRAL DENSITY FILTERS

Neutral density filters reduce the amount of light hitting the camera sensor without altering the colour of the scene they are used in a variety of situations, for example in low shutter speed photography for expressing the motion of moving object through long exposure time; to eliminate the moving object in a scene.

The **ND8** with an optical density of 0.9 reduce by 3 stops the light hitting the camera sensor, it features water and oil repellent coating for easy daily maintenance.



The **ND64** with an optical density of 1.8 reduces by 6 stops the light hitting the camera sensor, it features water and oil repellent coating for easy daily maintenance.



The **ND500** with an optical density of 2.7 reduces by 9 stops the light hitting the camera sensor, it features water and oil repellent coating for easy daily maintenance.



## Key to symbols



Minimum height



Maximum height



Closed length



Footprint diameter



Weight



Spigot size \*



Socket size \*



Suggested wheels



Maximum evenly distributed  
load on level ground



Maximum load on fully extended  
stand at 5° inclination



Gravity cast



Black



Air cushioned



German Safety Standard

\* NOTE: in product specifications you will often see a note referring to the spigot/socket type of the product (e.g. "type 14").

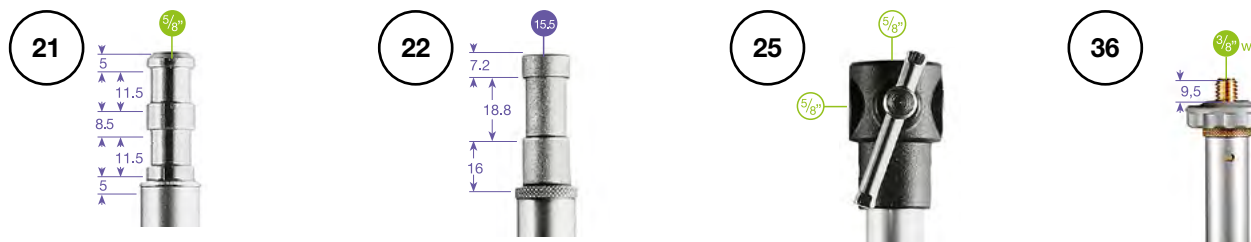
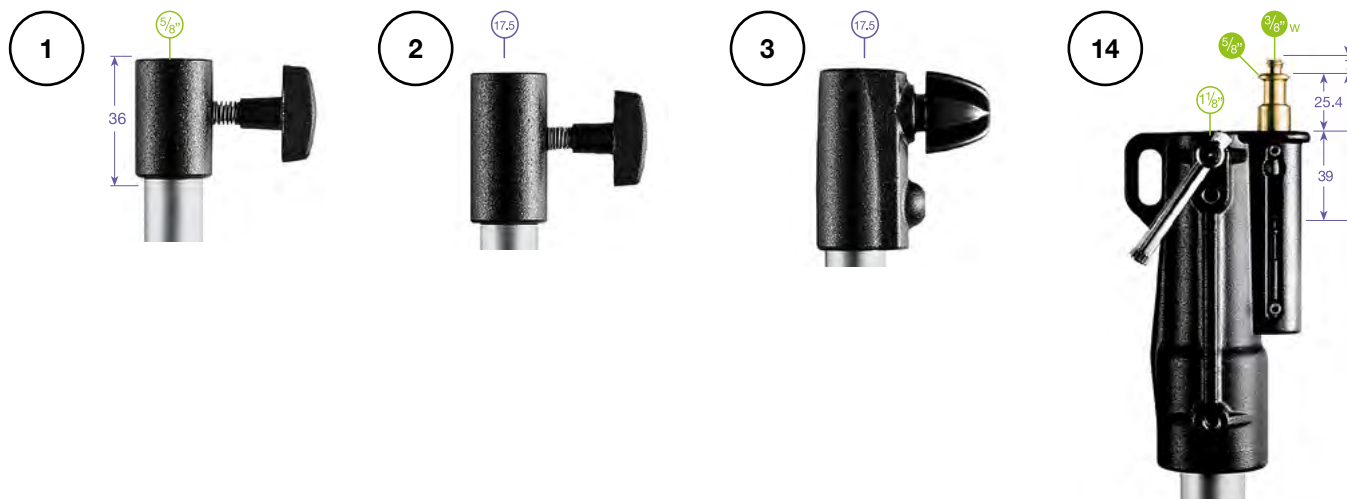
This type number refers to the spigot and socket variants shown on page 118.

This type number refers to the spigot and socket variants shown in product specifications.

$\frac{1}{4}''$  Indicates an external thread or stud diameter  
 ● Metric ● Imperial

$\frac{1}{4}''$  Indicates an internal thread or socket diameter  
 ● Metric ● Imperial

**W:** Indicates an internal thread or socket diameter



| Art. N°         | Description                           | Page           | Art. N°         | Description                                | Page       |
|-----------------|---------------------------------------|----------------|-----------------|--|------------|
| <b>003</b>      | BACKLITE BASE                         | 19             | <b>076B</b>     | BLACK AUTOPOLE                             | 54         |
| <b>003M</b>     | MINI BACKLITE BASE MALE ATTACHMENT    | 19             | <b>077</b>      | AUTOPOLE                                   | 54         |
| <b>003MF</b>    | MINI BACKLITE BASE FEMALE ATTACHMENT  | 19             | <b>077B</b>     | BLACK AUTOPOLE                             | 54         |
| <b>007BSU</b>   | BLACK STEEL SENIOR STAND              | 22             | <b>081</b>      | EXPAN ATTACHMENT                           | 40-94      |
| <b>007BU</b>    | BLACK ALU SENIOR STAND                | 22             | <b>083NW</b>    | STEEL 2 SECTION WIND UP STAND              | 37         |
| <b>007BUAC</b>  | BLACK AIR CUSHIONED ALU SENIOR STAND  | 22             | <b>083NWLB</b>  | STEEL 2 SECTION LOW BASE WIND UP STAND     | 35         |
| <b>007CSU</b>   | STEEL SENIOR STAND                    | 23             | <b>085BS</b>    | BLACK LIGHT BOOM 35 (STAND INCLUDED)       | 47         |
| <b>008BU</b>    | BLACK ALU STAND                       | 21             | <b>085BSL</b>   | BLACK LIGHT BOOM 35 (STAND NOT INCLUDED)   | 46         |
| <b>008CSU</b>   | STEEL JUNIOR STAND                    | 21             | <b>087NW</b>    | STEEL WIND UP STAND                        | 36         |
| <b>012B</b>     | BACKLITE STAND                        | 17             | <b>087NWB</b>   | BLACK STEEL WIND UP STAND                  | 36         |
| <b>013</b>      | SPIGOT ADAPTER                        | 65-104-113-115 | <b>087NWLB</b>  | STEEL 3 SECTION LOW BASE WIND UP STAND     | 35         |
| <b>014-14</b>   | 16MM FEMALE ADAPTER                   | 112            | <b>087NWSH</b>  | STEEL SHORT WIND UP STAND                  | 37         |
| <b>014-38</b>   | 16MM FEMALE ADAPTER                   | 112            | <b>087WBK</b>   | WIND-BRACING KIT                           | 41         |
| <b>014BIM</b>   | 16MM FEMALE ADAPTER                   | 112            | <b>088</b>      | SPECIAL ADAPTER                            | 114        |
| <b>014MS</b>    | 16MM FEMALE ADAPTER                   | 112            | <b>091MCR</b>   | EXPAN RED METALLIC CHAIN                   | 96         |
| <b>015</b>      | SPECIAL ADAPTER                       | 114            | <b>093</b>      | LARGE CABLE CLIP                           | 42         |
| <b>016</b>      | 16MM FEMALE ADAPTER                   | 112            | <b>094</b>      | CHAIN WEIGHT                               | 96         |
| <b>017</b>      | CASTER WHEEL SET                      | 42             | <b>098B</b>     | BLACK WALL BOOM (STAND NOT INCLUDED)       | 48         |
| <b>018</b>      | CASTER WHEEL SET                      | 42             | <b>098SHB</b>   | BLACK SHORT WALL BOOM (STAND NOT INCLUDED) | 49         |
| <b>019</b>      | SPECIAL ADAPTER                       | 114            | <b>104</b>      | WHEEL SET                                  | 43-91      |
| <b>022</b>      | G-PESO                                | 51             | <b>104G</b>     | WHEEL SET                                  | 43-91      |
| <b>023</b>      | L-PESO                                | 51             | <b>109</b>      | WHEEL SET                                  | 43         |
| <b>024B</b>     | BLACK LIGHT BOOM (STAND NOT INCLUDED) | 48             | <b>110</b>      | WHEEL SET                                  | 43         |
| <b>025BS</b>    | BLACK SUPER BOOM (STAND INCLUDED)     | 47             | <b>110G</b>     | WHEEL SET                                  | 43         |
| <b>025BSL</b>   | BLACK SUPER BOOM (STAND NOT INCLUDED) | 46             | <b>111BSU</b>   | BLACK STEEL TALL STAND                     | 23         |
| <b>025TM</b>    | SUPER BOOM WITH COLUMN STAND          | 48             | <b>111CSU</b>   | STEEL TALL STAND                           | 24         |
| <b>026</b>      | SWIVELLING ADAPTER                    | 85             | <b>118</b>      | SHORT 16MM SPIGOT WITH 1/4"+ 3/8" SCREW    | 65-113-115 |
| <b>027</b>      | STAND HOLDER                          | 41             | <b>119</b>      | ADAPTER SPIGOT 1/4" F + 3/8" F THREADS     | 65-113-115 |
| <b>032</b>      | AUTOPOLE                              | 54             | <b>123</b>      | PIVOTING BOOM CLAMP                        | 50         |
| <b>032B</b>     | BLACK AUTOPOLE                        | 54             | <b>124</b>      | PIVOTING BOOM CLAMP                        | 50         |
| <b>032BASE</b>  | AUTOPOLE BASE                         | 56             | <b>125</b>      | SHORT SPIGOT ADAPTER 3/8" - 3/8"           | 68-115     |
| <b>032BASEB</b> | BLACK AUTOPOLE BASE                   | 56             | <b>126BSU</b>   | BLACK STEEL HEAVY DUTY STAND               | 24         |
| <b>032PC</b>    | AUTOPOLE PROTECTION CAPS              | 56             | <b>126BSUAC</b> | BLACK STEEL AIR CUSHIONED HEAVY DUTY STAND | 24         |
| <b>032SPL</b>   | AUTOPOLE SPIRIT LEVEL                 | 56             | <b>126CSU</b>   | STEEL HEAVY DUTY STAND                     | 25         |
| <b>033</b>      | EXTENSION TUBE                        | 57             | <b>126CSUAC</b> | STEEL AIR CUSHIONED HEAVY DUTY STAND       | 25         |
| <b>033B</b>     | BLACK EXTENSION TUBE                  | 57             | <b>133B</b>     | BLACK EXTENSION BAR                        | 65         |
| <b>034</b>      | EXTENSION TUBE                        | 57             | <b>142B</b>     | BLACK ALU STAND EXTENSION                  | 29         |
| <b>034B</b>     | BLACK EXTENSION TUBE                  | 57             | <b>142CS</b>    | STEEL STAND EXTENSION                      | 29         |
| <b>035</b>      | SUPER CLAMP                           | 64             | <b>143</b>      | MAGIC ARM KIT                              | 76         |
| <b>035WDG</b>   | SUPER CLAMP WEDGES                    | 69             | <b>143A</b>     | MAGIC ARM WITH CAMERA BRACKET              | 76         |
| <b>036-14</b>   | LIGHTING STUD 1/4"                    | 65-115         | <b>143BKT</b>   | CAMERA/UMBRELLA BRACKET                    | 77         |
| <b>036-38</b>   | LIGHTING STUD 3/8"                    | 65-115         | <b>143N</b>     | MAGIC ARM                                  | 76         |
| <b>036MR</b>    | LIGHTING STUD MR                      | 65-115         | <b>146B</b>     | BLACK ALU HIGH STAND EXTENSION             | 29         |
| <b>037</b>      | CAMERA STUD                           | 65-115         | <b>146CS</b>    | STEEL HIGH STAND EXTENSION                 | 29         |
| <b>038</b>      | DOUBLE SUPER CLAMP                    | 64             | <b>147</b>      | SHORT SPIGOT ADAPTER 1/4" - 3/8"           | 68-115     |
| <b>039</b>      | "U" HOOKS                             | 68             | <b>148KN</b>    | SPECIAL ADAPTER                            | 114        |
| <b>041</b>      | "L" BRACKETS                          | 68             | <b>149</b>      | SPECIAL ADAPTER                            | 114        |
| <b>042</b>      | EXTENSION ARM                         | 69             | <b>151</b>      | 16MM MALE ADAPTER                          | 113        |
| <b>043</b>      | SKY HOOK                              | 60             | <b>152</b>      | 16MM FEMALE ADAPTER                        | 112        |
| <b>044</b>      | B/P CLAMPS                            | 95             | <b>153</b>      | 16MM FEMALE ADAPTER                        | 112        |
| <b>045</b>      | B/P TRIPLE HOOKS                      | 95             | <b>154B</b>     | THREE BABY BRACKET                         | 40         |
| <b>045-6</b>    | B/P HOOKS                             | 95             | <b>155</b>      | TILT-TOP HEAD                              | 84         |
| <b>046MC</b>    | EXPAN WITH METAL CHAIN                | 94             | <b>155BKL</b>   | TILT-TOP HEAD                              | 84         |
| <b>047-2</b>    | ALU-CORE                              | 96             | <b>156BLB</b>   | BLACK ALU LOW MINI PRO STAND               | 17         |
| <b>047-3</b>    | ALU-CORE                              | 96             | <b>158</b>      | 16MM FEMALE ADAPTER                        | 104-112    |
| <b>059</b>      | B/P SINGLE HOOKS                      | 94             | <b>159</b>      | 16MM FEMALE ADAPTER                        | 112        |
| <b>059WM</b>    | B/P SINGLE HOOKS                      | 94             | <b>163-10</b>   | 28MM MALE ADAPTER                          | 114        |
| <b>061</b>      | JOINING STUD                          | 65-115         | <b>163-12</b>   | 28MM MALE ADAPTER                          | 114        |
| <b>061RA</b>    | JOINING STUD RA                       | 65-115         | <b>163-38</b>   | 28MM MALE ADAPTER                          | 114        |
| <b>062-2</b>    | B/P COUNTERWEIGHT                     | 96             | <b>169</b>      | FIVE SOCKET BRACKET                        | 40         |
| <b>064</b>      | SMALL CABLE CLIP                      | 42             | <b>170</b>      | MINI POLE                                  | 57         |
| <b>066</b>      | DOUBLE FEMALE THREAD STUD             | 65-115         | <b>170B</b>     | BLACK MINI POLE                            | 57         |
| <b>066BT</b>    | STUD FOR STIRRUP                      | 65-115         | <b>171</b>      | MINI CLAMP                                 | 61         |
| <b>076</b>      | AUTOPOLE                              | 54             | <b>172</b>      | MINI COUNTERWEIGHT                         | 51         |

| Art. N°     | Description  | Page   | Art. N°         | Description  | Page |
|-------------|--|--------|-----------------|--|------|
| 173B        | BLACK MINI BOOM                                      | 50     | 332-3.7         | MINI AUTOPOLE  | 55   |
| 174         | HEXAGONAL 16MM LIGHTING STUD M10                     | 65-115 | 332-3.7B        | BLACK MINI AUTOPOLE                                  | 55   |
| 175         | SPRING CLAMP   | 60     | 335AS           | ADDITIONAL SOCKET                                    | 69   |
| 175F-1      | SPRING CLAMP WITH FLASH SHOE                         | 60     | 362             | POLE OPERATED TELESCOPIC BAR                         | 104  |
| 176         | MINI "U" HOOKS                                       | 68     | 374             | WHEELS FOR SUPER WIND UP                             | 43   |
| 179         | 16MM FEMALE ADAPTER                                  | 112    | 374-10          | WHEELS FOR SUPER WIND UP                             | 43   |
| 182         | 16MM MALE ADAPTER                                    | 113    | 375             | MULTICLIP  | 60   |
| 184         | 16MM MALE ADAPTER                                    | 113    | 386B-1          | NANO CLAMP   | 64   |
| 185         | 16MM MALE ADAPTER                                    | 113    | 387XBU          | BLACK STAINLESS STEEL SUPER WIND UP STAND            | 39   |
| 186         | 16MM MALE ADAPTER                                    | 113    | 387XU           | STAINLESS STEEL SUPER WIND UP STAND                  | 38   |
| 187         | 16MM MALE ADAPTER                                    | 113    | 396AB-2         | 2 SECTION DOUBLE ARTICULATED ARM                     | 81   |
| 188         | 16MM MALE ADAPTER                                    | 113    | 396AB-3         | 3 SECTION DOUBLE ARTICULATED ARM                     | 81   |
| 189         | 16MM FEMALE ADAPTER                                  | 112    | 396B-2          | 2 SECTION DOUBLE ARTICULATED ARM W/CAMERA ATTACHMENT | 81   |
| 191         | 16MM MALE ADAPTER                                    | 113    | 396B-3          | 3 SECTION DOUBLE ARTICULATED ARM W/CAMERA ATTACHMENT | 81   |
| 192         | SPECIAL ADAPTER                                      | 114    | 420B            | BLACK ALU COMBI-BOOM STAND WITH SANDBAG              | 45   |
| 194         | 16MM FEMALE ADAPTER                                  | 112    | 420CSU          | COMBI-BOOM STAND HD                                  | 45   |
| 195         | 16MM MALE ADAPTER                                    | 113    | 425B            | BLACK MEGA BOOM (STAND NOT INCLUDED)                 | 47   |
| 196AB-2     | 2 SECTION SINGLE ARTICULATED ARM                     | 80     | 427B-4.0        | OPERATING POLE                                       | 104  |
| 196AB-3     | 3 SECTION SINGLE ARTICULATED ARM                     | 80     | 427B-6.5        | OPERATING POLE                                       | 104  |
| 196AC       | MICRO CLAMP  | 91     | 432-2.7         | AUTOPOLE 2   | 55   |
| 196B-2      | 2 SECTION SINGLE ARTICULATED ARM W/CAMERA ATTACHMENT | 80     | 432-2.7B        | BLACK AUTOPOLE 2                                     | 55   |
| 196B-3      | 3 SECTION SINGLE ARTICULATED ARM W/CAMERA ATTACHMENT | 80     | 432-3.7B        | BLACK AUTOPOLE 2                                     | 55   |
| 203         | MINI EXTENSION ARM                                   | 69     | 613PAR          | T BAR  | 40   |
| 220         | STILL LIFE TABLE                                     | 88     | 614             | T BAR  | 40   |
| 220B        | BLACK STILL LIFE TABLE                               | 88     | 620-10          | 28MM MALE ADAPTER                                    | 114  |
| 220PSL      | STILL LIFE TABLE WITHOUT COVER                       | 88     | 620-12          | 28MM MALE ADAPTER                                    | 114  |
| 220PSLB     | BLACK STILL LIFE TABLE WITHOUT COVER                 | 88     | 635             | QUICK ACTION SUPER CLAMP                             | 64   |
| 220PX       | PERSPEX COVER FOR STILL LIFE TABLE                   | 88     | 649             | QUICK RELEASE CLAMP                                  | 61   |
| 231ARM      | SLIDING SUPPORT ARM                                  | 91     | 1004BAC         | BLACK ALU AIR CUSHIONED MASTER STAND                 | 19   |
| 231B        | BLACK ALU COLUMN STAND                               | 31     | 1004BAC-3       | 3-PACK BLACK ALU AIR CUSHIONED MASTER STAND          | 19   |
| 231CS       | STEEL COLUMN STAND                                   | 31     | 1005BAC         | BLACK ALU AIR CUSHIONED RANKER STAND                 | 19   |
| 237         | FLEX ARM   | 79     | 1005BAC-3       | 3-PACK BLACK ALU AIR CUSHIONED RANKER STAND          | 19   |
| 237HD       | HEAVY DUTY FLEX ARM                                  | 79     | 1051BAC         | BLACK ALU AIR CUSHIONED MINI COMPACT STAND           | 18   |
| 241         | PUMP CUP WITH 16MM SWIVEL SOCKET                     | 71     | 1051BAC-3       | 3-PACK BLACK ALU AIR CUSHIONED MINI COMPACT STAND    | 18   |
| 241S        | PUMP CUP WITH 16MM SOCKET                            | 71     | 1052BAC         | BLACK ALU AIR CUSHIONED COMPACT STAND                | 18   |
| 244         | VARIABLE FRICTION ARM WITH CAMERA BRACKET            | 77     | 1052BAC-3       | 3-PACK BLACK ALU AIR CUSHIONED COMPACT STAND         | 18   |
| 244ADPT3814 | 3/8" AND 1/4" ADAPTERS                               | 78     | 1314B           | SET STANDS KIT                                       | 97   |
| 244ADPT38AR | 3/8" ANTI-ROTATION ADAPTER                           | 78     | 5001B           | BLACK ALU NANO STAND                                 | 17   |
| 244ADPT58   | 5/8" ADAPTERS  | 78     | ADAPTOR12V1.25A | AC ADAPTOR 12V 1.25A SPECTRA2                        | 9    |
| 244ADPT-HS  | HOT-SHOE ADAPTER                                     | 78     | C100            | JUNIOR PIPE CLAMP WITH 28MM SOCKET                   | 63   |
| 244MICRO    | MICRO FRICTON ARM                                    | 78     | C150            | SWIVELLING "C" CLAMP                                 | 62   |
| 244MICRO-AR | MICRO FRICTON ARM WITH ANTI ROTATION                 | 78     | C155            | SAFETY CABLE   | 69   |
| 244MICROKIT | MICRO FRICTON ARM WITH NANO CLAMP                    | 78     | C155-01         | SAFETY CABLE   | 69   |
| 244MINI     | MINI FRICTON ARM                                     | 78     | C155-02         | SAFETY CABLE   | 69   |
| 244N        | VARIABLE FRICTION ARM                                | 77     | C210            | BABY PIPE CLAMP WITH 16MM STUD                       | 63   |
| 264         | ROUNDED 16MM LIGHTING STUD M10                       | 65-115 | C337            | 28MM BUSHING QUICK ACTION JUNIOR CLAMP               | 70   |
| 269BU       | BLACK ALU SUPER STAND                                | 25     | C338            | 16MM PIN QUICK ACTION BABY CLAMP                     | 70   |
| 269HDBU     | BLACK ALU HIGH SUPER STAND                           | 28     | C500            | PELICAN GAFFER GRIP                                  | 62   |
| 270BSU      | BLACK STEEL SUPER STAND                              | 26     | C820            | TELESCOPIC HANGER WITH STIRRUP                       | 71   |
| 270CSU      | STEEL SUPER STAND                                    | 27     | C822            | LONG TELESCOPIC HANGER WITH STIRRUP                  | 71   |
| 271         | PANEL CLAMP  | 61     | C825            | TELESCOPIC HANGER WITH UNIVERSAL HEAD                | 71   |
| 272B        | TELESCOPIC POLE                                      | 97     | C827            | LONG TELESCOPIC HANGER WITH UNIVERSAL HEAD           | 71   |
| 275         | MINI SPRING CLAMP                                    | 60     | C888UH          | TELESCOPIC HANGER WITH UNIVERSAL HEAD                | 71   |
| 297BBASE    | BLACK LARGE BRAKE BASE                               | 33     | C1000           | SPECIAL ADAPTER                                      | 114  |
| 297FBASE    | BLACK LARGE FOOT BASE                                | 33     | C1005           | SPECIAL ADAPTER                                      | 114  |
| 298B        | BLACK ALU STUDIO STAND                               | 32     | C1100           | SPECIAL ADAPTER                                      | 114  |
| 299B        | BLACK BABY STUDIO STAND                              | 32     | C1525           | SKY HOOK   | 60   |
| 299BBASE    | BLACK SMALL BRAKE BASE                               | 33     | E200            | 28MM MALE ADAPTER                                    | 114  |
| 299FBASE    | BLACK SMALL FOOT BASE                                | 33     | E250            | 16MM MALE ADAPTER                                    | 113  |
| 320         | MINI STILL LIFE TABLE                                | 89     | E300            | 16MM MALE ADAPTER                                    | 113  |
| 320B        | BLACK MINI STILL LIFE TABLE                          | 89     | E390            | 16MM FEMALE ADAPTER                                  | 112  |
| 320PSL      | MINI STILL LIFE TABLE WITHOUT COVER                  | 89     | E610            | SPECIAL ADAPTER                                      | 114  |
| 320PSLB     | BLACK MINI STILL LIFE TABLE WITHOUT COVER            | 89     | E650            | 16MM MALE ADAPTER                                    | 113  |
| 320PX       | PERSPEX COVER FOR MINISTILL LIFE TABLE               | 89     | FF3033          | TOP SYSTEM 33  | 108  |



| Art. N°             | Description  | Page  | Art. N°                | Description                           | Page |
|---------------------|--|-------|------------------------|---------------------------------------|------|
| <b>FF3043</b>       | TOP SYSTEM 43  | 109   | <b>MFESSUV-62</b>      | ESSENTIAL UV FILTER Ø 62 MM           | 116  |
| <b>FF3054</b>       | TOP SYSTEM 54  | 109   | <b>MFESSUV-67</b>      | ESSENTIAL UV FILTER Ø 67 MM           | 116  |
| <b>FF3207</b>       | KIT OF 4 END STOPS WITH 4 CABLE CARRIAGES                | 104   | <b>MFESSUV-72</b>      | ESSENTIAL UV FILTER Ø 72 MM           | 116  |
| <b>FF3208</b>       | ALIGNING CONNECTORS FOR FIXED RAILS                      | 104   | <b>MFESSUV-77</b>      | ESSENTIAL UV FILTER Ø 77 MM           | 116  |
| <b>FF3210</b>       | BRACKET FOR CEILING ATTACHMENT                           | 101   | <b>MFESSUV-82</b>      | ESSENTIAL UV FILTER Ø 82 MM           | 116  |
| <b>FF3211</b>       | DOUBLE BRACKET FOR RAIL CROSSINGS                        | 101   | <b>MFPROCPL-52</b>     | PROFESSIONAL CPL FILTER Ø 52 MM       | 116  |
| <b>FF3212</b>       | ANGLE BRACKET ("L"-SHAPED) FOR FIXING TO BEAMS           | 101   | <b>MFPROCPL-58</b>     | PROFESSIONAL CPL FILTER Ø 58 MM       | 116  |
| <b>FF3214</b>       | BRACKET FOR TUBE ATTACHMENT                              | 102   | <b>MFPROCPL-62</b>     | PROFESSIONAL CPL FILTER Ø 62 MM       | 116  |
| <b>FF3214A</b>      | BRACKET FOR CEILING ATTACHMENT                           | 102   | <b>MFPROCPL-67</b>     | PROFESSIONAL CPL FILTER Ø 67 MM       | 116  |
| <b>FF3214B</b>      | RAIL MOUNTING KIT WITH M12 STUD                          | 102   | <b>MFPROCPL-72</b>     | PROFESSIONAL CPL FILTER Ø 72 MM       | 116  |
| <b>FF3215</b>       | ADJUSTABLE BRACKET FOR IRREGULAR CEILINGS                | 101   | <b>MFPROCPL-77</b>     | PROFESSIONAL CPL FILTER Ø 77 MM       | 116  |
| <b>FF3215A</b>      | EXTENSION BRACKET FOR VARIOUS HEIGHTS                    | 102   | <b>MFPROCPL-82</b>     | PROFESSIONAL CPL FILTER Ø 72 MM       | 116  |
| <b>FF3218</b>       | CEILING BRACKET WITH 50CM EXTENSION                      | 102   | <b>MFPROPTT-52</b>     | PROFESSIONAL PROTECT FILTER Ø 52 MM   | 116  |
| <b>FF3226</b>       | KIT OF 5 CABLE CARRIAGES                                 | 104   | <b>MFPROPTT-58</b>     | PROFESSIONAL PROTECT FILTER Ø 58 MM   | 116  |
| <b>FF3226C</b>      | KIT OF 5 CABLE CARRIAGES WITH BEARING                    | 104   | <b>MFPROPTT-62</b>     | PROFESSIONAL PROTECT FILTER Ø 62 MM   | 116  |
| <b>FF3228</b>       | DISMOUNTABLE SLIDING CARRIAGE W/4 WHEELS AND 16MM SPIGOT | 102   | <b>MFPROPTT-67</b>     | PROFESSIONAL PROTECT FILTER Ø 67 MM   | 116  |
| <b>FF3229</b>       | SLIDING CARRIAGE WITH 4 WHEELS, BRAKE AND 16MM SPIGOT    | 103   | <b>MFPROPTT-72</b>     | PROFESSIONAL PROTECT FILTER Ø 72 MM   | 116  |
| <b>FF3230</b>       | SLIDING CARRIAGE WITH 4 WHEELS AND 16MM SPIGOT           | 103   | <b>MFPROPTT-77</b>     | PROFESSIONAL PROTECT FILTER Ø 77 MM   | 116  |
| <b>FF3232</b>       | DOUBLE SLIDING CARRIAGE                                  | 103   | <b>MFPROPTT-82</b>     | PROFESSIONAL PROTECT FILTER Ø 82 MM   | 116  |
| <b>FF3235</b>       | DOUBLE SLIDING CARRIAGE WITH DOUBLE BRAKE                | 103   | <b>MFND500-52</b>      | ND500 FILTER Ø 52 MM                  | 116  |
| <b>FF3236</b>       | DOUBLE SLIDING CARRIAGE WITH ONE BRAKE                   | 103   | <b>MFND500-58</b>      | ND500 FILTER Ø 58 MM                  | 116  |
| <b>FF3240</b>       | EXTENSION TUBE 50CM LONG                                 | 107   | <b>MFND500-62</b>      | ND500 FILTER Ø 62 MM                  | 116  |
| <b>FF3242</b>       | EXTENSION TUBE 100CM LONG                                | 107   | <b>MFND500-67</b>      | ND500L FILTER Ø 67 MM                 | 116  |
| <b>FF3248</b>       | TELESCOPIC POST EXTENDABLE FROM 85CM TO 203CM            | 107   | <b>MFND500-72</b>      | ND500 FILTER Ø 72 MM                  | 116  |
| <b>FF3249</b>       | SMALL TELESCOPIC POST EXTENDABLE FROM 60CM TO 128CM      | 107   | <b>MFND500-77</b>      | ND500 FILTER Ø 77 MM                  | 116  |
| <b>FF3276</b>       | SAFETY STEEL CABLE                                       | 107   | <b>MFND500-82</b>      | ND500 FILTER Ø 82 MM                  | 116  |
| <b>FF3278</b>       | POWER SUPPLY CABLE                                       | 104   | <b>MFND64-52</b>       | ND64 FILTER Ø 52 MM                   | 116  |
| <b>FF3512N86</b>    | PANTOGRAPH TOP 2C  | 106   | <b>MFND64-58</b>       | ND64 FILTER Ø 58 MM                   | 116  |
| <b>FF3514N86</b>    | PANTOGRAPH TOP 4C  | 105   | <b>MFND64-62</b>       | ND64 FILTER Ø 62 MM                   | 116  |
| <b>FF3531</b>       | SPRING TYPE 4 RED  | 106   | <b>MFND64-67</b>       | ND64 FILTER Ø 67 MM                   | 116  |
| <b>FF3532</b>       | SPRING TYPE 12 RED                                       | 106   | <b>MFND64-72</b>       | ND64 FILTER Ø 72 MM                   | 116  |
| <b>FF3533</b>       | SPRING TYPE 4 BLUE                                       | 106   | <b>MFND64-77</b>       | ND64 FILTER Ø 77 MM                   | 116  |
| <b>FF3534</b>       | SPRING TYPE 12 BLUE                                      | 106   | <b>MFND64-82</b>       | ND64 FILTER Ø 82 MM                   | 116  |
| <b>FF3856</b>       | FIXED BRACKET ON RAIL WITH 16MM SPIGOT                   | 103   | <b>MFND8-52</b>        | ND8 FILTER Ø 52 MM                    | 116  |
| <b>FF6003B</b>      | BLACK ANODISED 3M RAIL                                   | 100   | <b>MFND8-58</b>        | ND8 FILTER Ø 58 MM                    | 116  |
| <b>FF6004B</b>      | BLACK ANODISED 4M RAIL                                   | 100   | <b>MFND8-62</b>        | ND8 FILTER Ø 62 MM                    | 116  |
| <b>FF6005B</b>      | BLACK ANODISED 5M RAIL                                   | 100   | <b>MFND8-67</b>        | ND8 FILTER Ø 67 MM                    | 116  |
| <b>G100-2</b>       | SMALL SAND BAG   | 41    | <b>MFND8-72</b>        | ND8 FILTER Ø 72 MM                    | 116  |
| <b>G200-1</b>       | LARGE SAND BAG   | 41    | <b>MFND8-77</b>        | ND8 FILTER Ø 77 MM                    | 116  |
| <b>G300</b>         | EXTRA LARGE SAND BAG                                     | 41-51 | <b>MFND8-82</b>        | ND8 FILTER Ø 72 MM                    | 116  |
| <b>MC1990A</b>      | PICO CLAMP   | 64    | <b>MLBALL</b>          | BALL-HEAD MOUNT                       | 7    |
| <b>MFADV CPL-52</b> | ADVANCED CPL FILTER Ø 52 MM                              | 116   | <b>MLBATTADT-L7.2V</b> | L-TYPE BATTERIES ADAPTOR FOR SPECTRA2 | 9    |
| <b>MFADV CPL-58</b> | ADVANCED CPL FILTER Ø 58 MM                              | 116   | <b>MLCROMA2</b>        | CROMA2                                | 9    |
| <b>MFADV CPL-62</b> | ADVANCED CPL FILTER Ø 62 MM                              | 116   | <b>MLFILTERCLS</b>     | CLASSIC FILTER KIT                    | 7    |
| <b>MFADV CPL-67</b> | ADVANCED CPL FILTER Ø 67 MM                              | 116   | <b>MLFILTERCOL</b>     | MULTICOLOR FILTER KIT                 | 7    |
| <b>MFADV CPL-72</b> | ADVANCED CPL FILTER Ø 72 MM                              | 116   | <b>MLFILTERPRT</b>     | PORTRAIT FILTER KIT                   | 7    |
| <b>MFADV CPL-77</b> | ADVANCED CPL FILTER Ø 77 MM                              | 116   | <b>MLH1HS</b>          | SNAP TILT HEAD                        | 85   |
| <b>MFADV CPL-82</b> | ADVANCED CPL FILTER Ø 82 MM                              | 116   | <b>MLL1300-BI</b>      | LYKOS BI-COLOR                        | 10   |
| <b>MFADVUV-52</b>   | ADVANCED UV FILTER Ø 52 MM                               | 116   | <b>MLL1500-D</b>       | LYKOS DAYLIGHT                        | 10   |
| <b>MFADVUV-58</b>   | ADVANCED UV FILTER Ø 58 MM                               | 116   | <b>MLLBDT DONGLE</b>   | LYKOS BLUETOOTH DONGLE                | 11   |
| <b>MFADVUV-62</b>   | ADVANCED UV FILTER Ø 62 MM                               | 116   | <b>MLUMIEART-BK</b>    | LUMIMUSE6                             | 6    |
| <b>MFADVUV-67</b>   | ADVANCED UV FILTER Ø 67 MM                               | 116   | <b>MLUMIEMU-BK</b>     | LUMIMUSE8                             | 7    |
| <b>MFADVUV-72</b>   | ADVANCED UV FILTER Ø 72 MM                               | 116   | <b>MLUMIEPL-BK</b>     | LUMIMUSE3                             | 6    |
| <b>MFADVUV-77</b>   | ADVANCED UV FILTER Ø 77 MM                               | 116   | <b>MLMICROPRO2</b>     | MICROPRO2                             | 8    |
| <b>MFADVUV-82</b>   | ADVANCED UV FILTER Ø 82 MM                               | 116   | <b>MLSBOXL</b>         | LYKOS SOFTBOX                         | 11   |
| <b>MFESSCPL-52</b>  | ESSENTIAL CPL FILTER Ø 52 MM                             | 116   | <b>MLSPECTRA2</b>      | SPECTRA2                              | 8    |
| <b>MFESSCPL-58</b>  | ESSENTIAL CPL FILTER Ø 58 MM                             | 116   | <b>MS0490A</b>         | NANO POLE STAND                       | 17   |
| <b>MFESSCPL-62</b>  | ESSENTIAL CPL FILTER Ø 62 MM                             | 116   | <b>MSY0580A</b>        | DADO KIT                              | 79   |
| <b>MFESSCPL-67</b>  | ESSENTIAL CPL FILTER Ø 67 MM                             | 116   | <b>MSY0590A</b>        | DADO                                  | 79   |
| <b>MFESSCPL-72</b>  | ESSENTIAL CPL FILTER Ø 72 MM                             | 116   | <b>MT004</b>           | "T" CLAMP                             | 90   |
| <b>MFESSCPL-77</b>  | ESSENTIAL CPL FILTER Ø 77 MM                             | 116   | <b>MT005</b>           | RIGHT ANGLE CLAMP                     | 90   |
| <b>MFESSCPL-82</b>  | ESSENTIAL CPL FILTER Ø 82 MM                             | 116   | <b>MT013</b>           | PANEL CLAMP                           | 90   |
| <b>MFESSUV-52</b>   | ESSENTIAL UV FILTER Ø 52 MM                              | 116   | <b>MT020</b>           | TUBE CONNECTOR                        | 90   |
| <b>MFESSUV-58</b>   | ESSENTIAL UV FILTER Ø 58 MM                              | 116   |                        |                                       |      |