

Towers



Solidity

LITEC offers one the most complete lines of towers; from the most compact telescopic to the most complex lifters used for High Load structures.

They are entirely pre-assembled modular ground supports, which combine structural soundness with a simple elegant design. Many tested and certified products are available to meet every need.

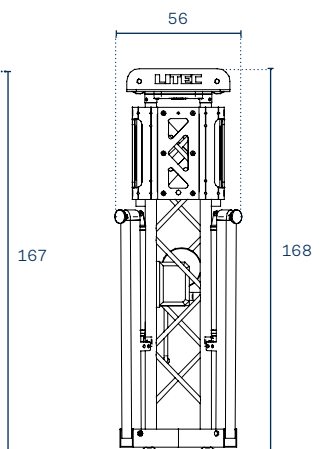
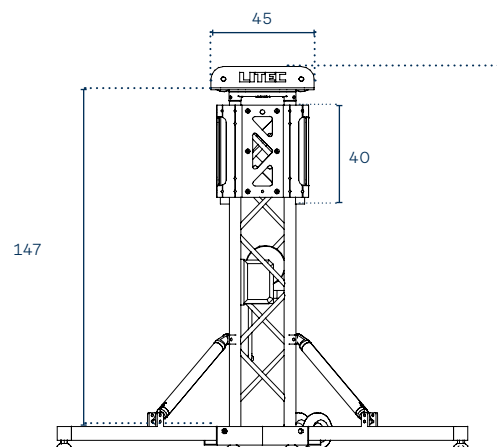
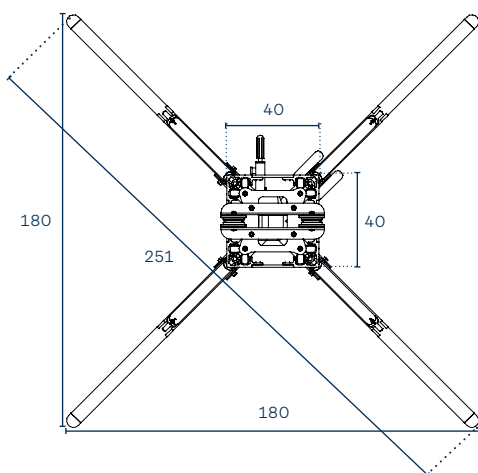
Towerlift 3	138
Unitower	140
Varitower 3	142
Maxitower MT40	144
Maxitower MT52	146
Maxitower MT52HD	148
Maxitower MT63	150
Maxitower MT76	152
Maxitower MT85	154

Towerlift 3



The Towerlift 3 hoist system occurs by manual winch with steel cables. The sleeve block functions as default component also for the Unitower and Varitower models. Each side can accommodate either square truss of 29 cm or 40 cm sides, or triangular truss of 29 cm sides. A triangular truss of 40 cm may also be connected by substituting the appropriate central support plate.

Maximum tower height	→ 6.5 m
Lifting system	→ steel cable manual winch
Base module weight (included legs, top and sleeve block)	→ 75 kg
Vertical main truss	→ QX30SA
Compatible trusses	→ QX30SA / QH30SA / QX40SA / QH40SA / TX30SA
Base module height (excluding top)	→ 154 cm
Base module dimensions (folded versions)	→ 60 x 60 cm
Base module dimensions (operating version)	→ 180 x 180 cm
Volume	→ 0.6 m ³
Adjustable legs	→ 4
Maximum lifting load capacity	→ 500 kg



Towerlift 3 is supplied as standard with a steel cable manual winch. By using two accessories – the motor support and the extended top section – the tower can be used with a chain hoist lifter. Thus configured, the tower’s load capacity is 1000 kg.



Towerlift 3

The top and leg adjustment mechanisms have been modified to give superb results. Each foot may be adjusted independently and extensively for easy positioning even on sloping and irregular surfaces. The 900 kg lifting power-clutch winch is protected inside the structure. During assembly, the wheels are never less than 100 cm from the ground.

The central structure is formed by the QX30SA truss.

The sleeve block will accommodate connection to truss in series QX30SA, QX40SA, QH30SA, QH40SA, TX30SA.

To connect with truss TX40SA the central support plate must be substituted on the corresponding side/s.

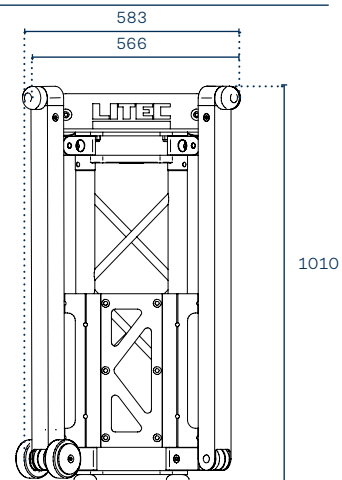
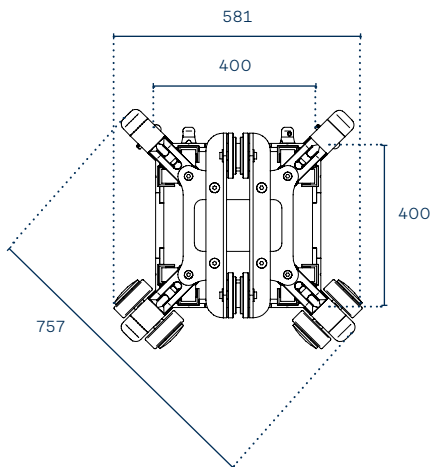
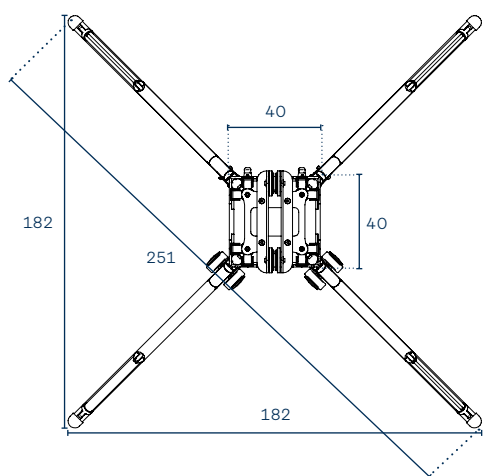


Unitower



Base module for towers with frame of 29 cm sided square truss. The system comes furnished with detachable foldaway stabilizers. The multistandard sleeve block has 16 gliding wheels of high density rubber. Each foot moves both in pan and tilt so adapting to all terrain. The entire system, excluding the central truss, is formed of assembled parts, without any weldings.

Maximum tower height	→ 7 m
Lifting system	→ chain hoist
Base module weight (included legs, top and sleeve block)	→ 75 kg
Vertical main truss	→ QX30SA
Compatible trusses	→ QX30SA / QH30SA / QX40SA / QH40SA / TX30SA
Base module height (excluding top)	→ 90 cm
Base module dimensions (folded versions)	→ 60 x 60 cm
Base module dimensions (operating version)	→ 182 x 182 cm
Legs maximum extension	→ 97 cm
Maximum lifting load capacity	→ 1000 kg





Unitower

The sleeve block allows for the securing either of manual or electric motor hoists. Unitower is the only tower where the legs can be completely detached, leaving the vertical truss free without any jutting parts. The tower is designed to be composed of square truss QX30SA or QH30SA. The sleeve block however will take square truss

of 29 or 40cm sides, or triangular truss of 29cm sides.

In order to connect a triangular 40cm sided truss a substitute central support plate is needed. Every face is furnished with a series of holes for attachment of special steel spigots which allow a variety of diverse truss to be incorporated.



Varitower 3

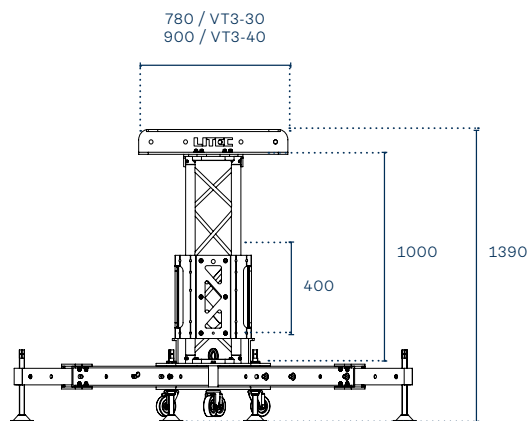
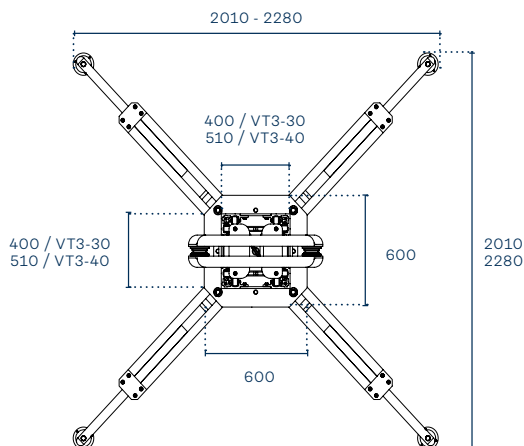


It substitutes the previous model Varitower 2. It can take a 29 or 40 m vertical truss, with the best performance seen from the QH40SA twist-resistant truss. The sleeve block is of the original design developed and tested for Unitower, with the same extruded profiles and the same applications.

Base module for towers, with frame in square truss of 29 or 40 cm sides.

The system is furnished with telescopic stabilizers, multistandard sleeve block with 16 gliding wheels in high density rubber, and top designed for chain feed.

	VT3-30	VT3-40
Maximum tower height	→ 8 m	→ 9 m
Lifting system	→ chain hoist	→ chain hoist
Base module weight (included legs, top and sleeve block)	→ 140 kg	→ 145 kg
Vertical main truss	→ QH30SA	→ QH40SA
Compatible trusses	→ QX30SA / QH30SA / QX40SA / QH40SA / TX30SA (TC40SA only for VT3-40)	
Base module dimensions (folded versions)	→ 130 cm	→ 130 cm
Base module dimensions (operating versions)	→ 240 x 240 cm	→ 240 x 240 cm
Leg maximum extension	→ 97 cm	→ 97 cm
Maximum lifting load capacity	→ 1800 kg	→ 2000 kg





Varitower 3

The complete system, except the central truss, is composed of assembled parts, without any weldings.

Varitower 3 can use only chain hoist systems, be they manual or electric. For either system the corresponding support is available. The base is made entirely of aluminium, and has telescopic legs with new adjustable feet.

Each leg can be moved horizontally in two directions for precise positioning.

Once assembly is completed the legs may be removed entirely from the base.

Vari-Winch

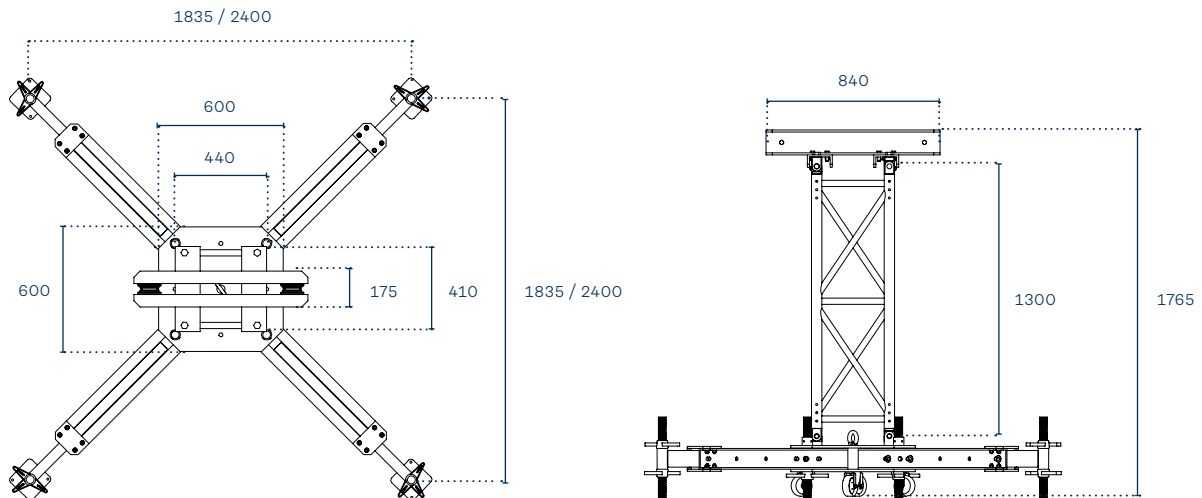


Maxitower MT40



Lifter able to carry loads up to 2,000 kg.
If configured appropriately, the Maxitower 40 system interfaces with all types of LITEC truss sized from 29 to 76 cm.

	MT40	MT40E
Maximum tower height	→ 12 m	→ 9 m
Lifting system	→ chain hoist	→ chain hoist
Base module weight with top (excluding sleeve block and legs)	→ 86 kg	→ 56 kg
Vertical main truss	→ QL40A / QH40SA	→ QL40A
Compatible trusses (with suitable sleeve block)	→ FL52/FL76/QL40A/QL52A/RL76A	
Base dimensions	→ 60 x 60 cm	→ 40 x 40 cm
Volume	→ 0.58 m ³	→ 0.24 m ³
Maximum lifting load capacity	→ max 2000 kg	→ max 2000 kg





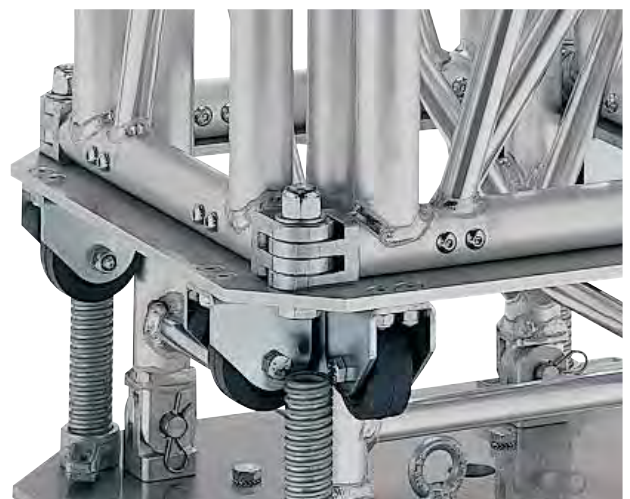
Maxitower MT40

Stabilizers, motor supports and other special accessories complete the range.

The MT40 lifter can take all the trusses in the QL40A and QH40SA lines.

Also available in the compact-base MT40E version, particularly useful for putting together fair stands and indoor use.

The MT40 tower is composed of a base, extending stabilizers (that cover a maximum floor area of 2.4 m x 2.4 m), a main tower body that reached up to 12m in height, a top section with pulleys for electric chain hoists, and a modular sleeve block that can be assembled in different ways depending on application.



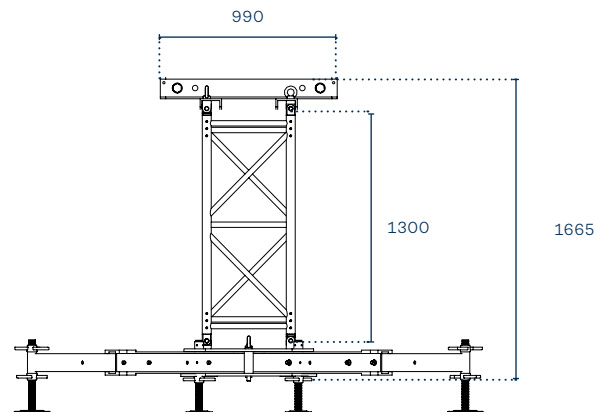
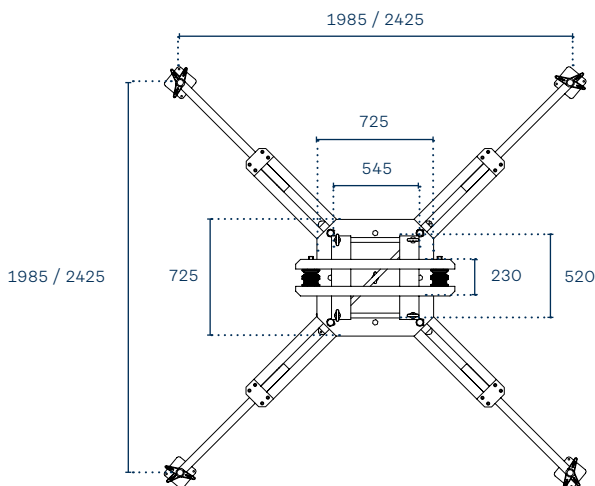
Maxitower MT52



For lifting where high performance is needed. This model also comes in a compact-base Maxitower 52E version suitable for indoor use.

The base can take QL40A and QL52A series trusses. The four foot bars are telescopic, positionable, individually adjustable and extractable.

	MT52	MT52E
Maximum tower height	→ 15 m	→ 12 m
Lifting system	→ chain hoist	→ chain hoist
Base module weight with top (excluding sleeve block and legs)	→ 110 kg	→ 52 kg
Vertical main truss	→ QL52A	→ QL52A
Compatible trusses (with suitable sleeve block)	→ FL52 / FL76 / QL40A / QL52A / RL76A	
Base dimensions	→ 73 x 73 cm	→ 52 x 52 cm
Volume	→ 0.84 m ³	→ 0.29 m ³
Maximum lifting load capacity	→ max 3000 kg	→ max 3000 kg





Maxitower MT52

The system uses twist-resistant vertical 40 or 52 components, and comes complete with stabilization, motor coupling, hanging and safety accessories.

The MT52 tower is composed of a base, extending stabilizers (that cover a maximum floor

area of 2.4 m x 2.4 m), a main tower body that reaches up to 15m in height, a top section with pulleys for electric chain hoists, and a modular sleeve block that can be assembled in different ways depending on application.



Maxitower MT52HD



The Maxitower 52HD is a high performance, high capacity tower for your large and demanding projects. Made from EN AW 6082 T6 aluminium, it has the same dimensions as the Maxitower 52 but features $\varnothing 60 \times 5$ mm main chords for achieving higher load capacities. Thanks to these unchanged dimensions, it's compatible with the standard Maxitower 52 sleeve block.

Lifting system

→ chain hoist

Base module weight with top
(excluding sleeve block and legs)

→ 192.5 kg

Vertical main truss

→ QL52D

Compatible trusses
(with suitable sleeve block)

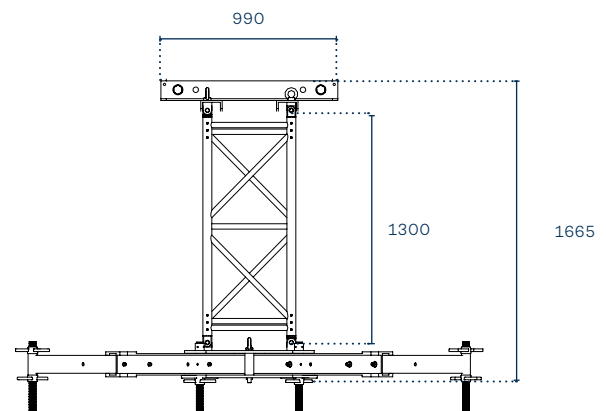
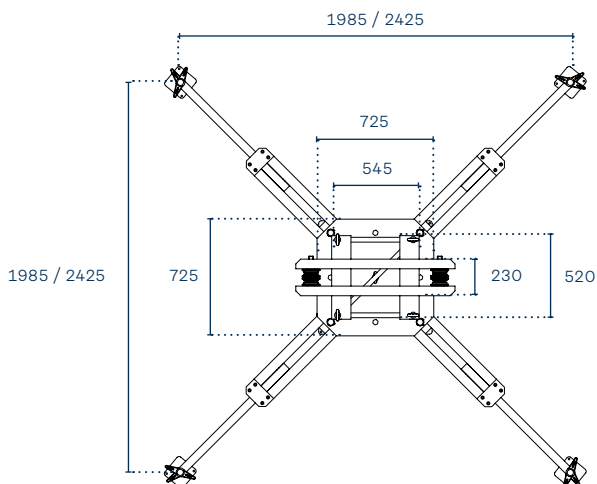
→ QL52A - RL76A - RL105A

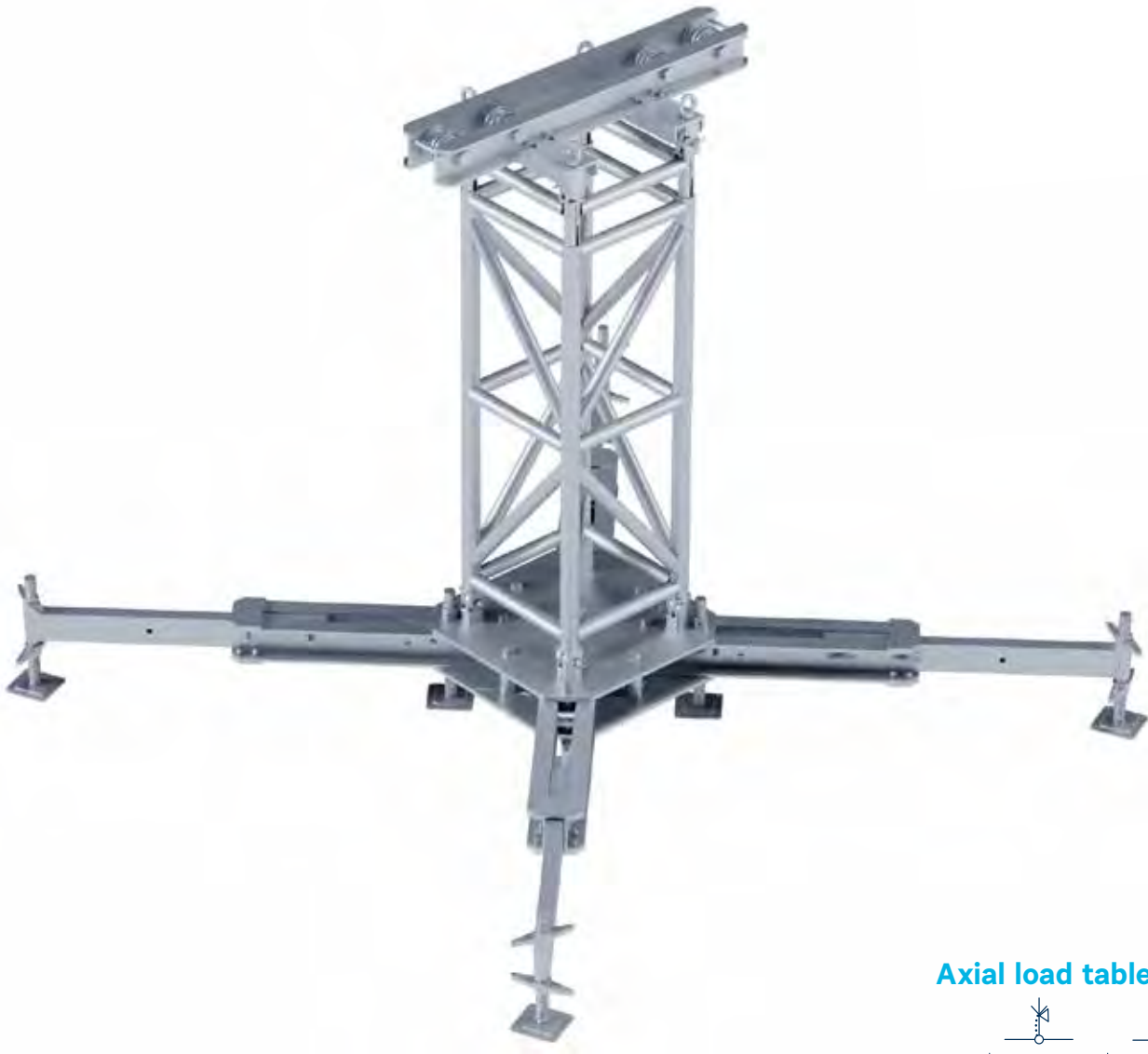
Base dimensions

→ 73 x 73 cm



Volume

→ 0.84 m³





Axial load table

SPAN		
	F _{am.}	F _{am.}
m	kg	kg
1	9572	9291
2	9542	8984
3	9514	8673
4	9477	8358
5	9435	8038
6	9387	7715
7	9334	7388
8	9275	6695
9	9211	5221
10	9141	4010
11	9067	
12	8986	
13	8900	
14	8809	
15	8712	
16	8186	
17	7315	
18	6514	
19	5776	
20	5094	

Maxitower MT52HD

- Use of beefier Ø 60 x 5 mm main chords for increased load bearing
- New, super heavy-duty mechanical safety block
- Same overall dimensions as Maxitower 52
- Compatible with Maxitower 52 standard sleeve block
- Constructed from EN AW 6082 T6 aluminium

Maxitower MT63



The Maxitower MT63 is the new tower for the MyT Virtue truss system. Featuring LITEC's innovative safety block with telescopic tube, it provides unrivaled levels of convenience and safety. With a maximum height of 25 metres and load capacity of 11.5 tons at 15 metres, the MT63 is the right choice for your very large and demanding projects.

Maximum tower height

→ 25 m

Lifting system

→ chain hoist

Vertical main truss

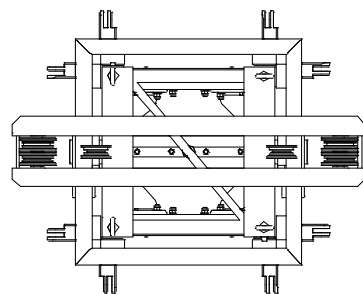
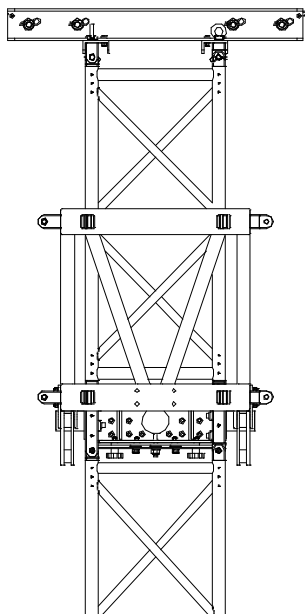
→ QL63A

Compatible trusses
(with suitable sleeve block)

→ MyT Virtue

Maximum lifting load capacity

→ 11.5 tons @ 15 m







Maxitower MT63

- Ø 60 x 5 mm main chords for increased load bearing
- New mechanical safety block with telescopic tube
- Constructed from EN AW 6082 T6 aluminium

Axial load table

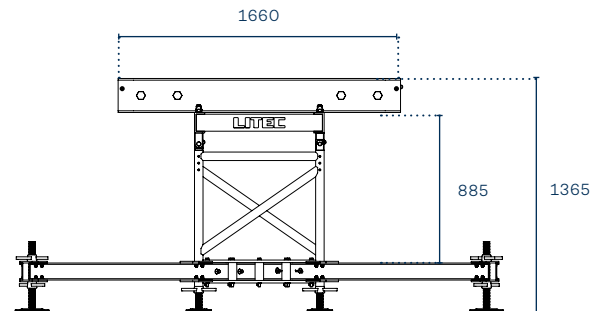
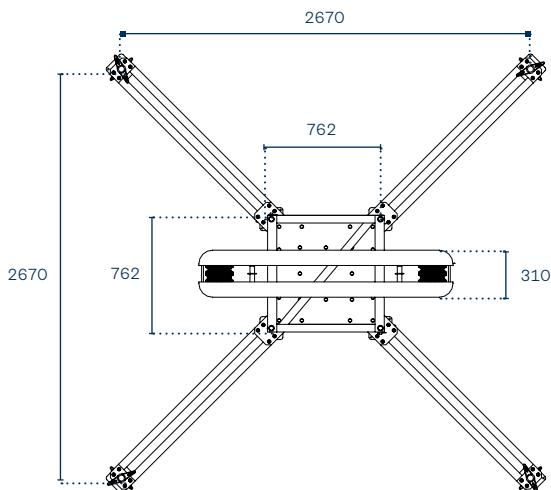
SPAN		
	F _{am.}	F _{am.}
m	kg	kg
1	12386	12093
2	12355	11768
3	12319	11436
4	12278	11099
5	12232	10757
6	12180	10409
7	12123	10056
8	12061	9200
9	11993	7512
10	11920	6053
11	11842	4796
12	11759	3711
13	11670	
14	11576	
15	11476	
16	10829	
17	9886	
18	8994	
19	8153	
20	7362	
21	6618	
22	5918	
23	5258	
24	4636	
25	4046	

Maxitower MT76



The lifter uses QL76A trusses. It was designed to withstand the stresses that large structures transfer to the ground in their heaviest duty use. It is intended for use together with the LIBERA FL105 system.

Maximum tower height	→ 20 m
Lifting system	→ chain hoist
Base module weight with top (excluding sleeve block and legs)	→ 165 kg
Vertical main truss	→ QL76A
Compatible trusses (with suitable sleeve block)	→ FL105
Base dimensions	→ 76 x 76 cm
Volume	→ 0.58 m ³
Maximum lifting load capacity	→ max 4000 kg





Maxitower MT76

It is connected to LIBERA FL105 and RL105A through special trucks, which are available with or without motor supports. The MT76 tower is composed of a base, extending stabilizers (that cover a maximum floor area of 2.7 m x 2.7 m), a main tower body that reaches up to 20 m in height, a top section with pulleys for electric chain hoists, and a modular sleeve block that can be assembled in different ways depending on application.

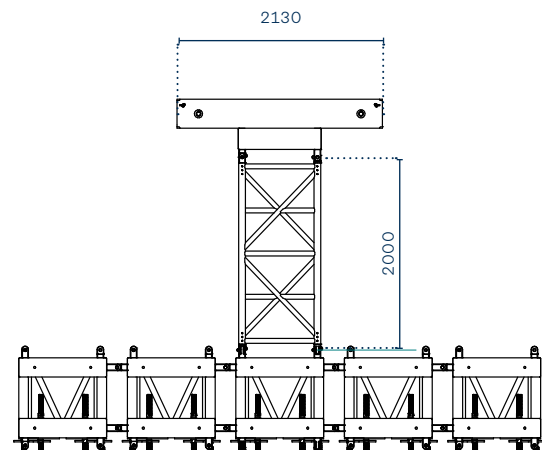
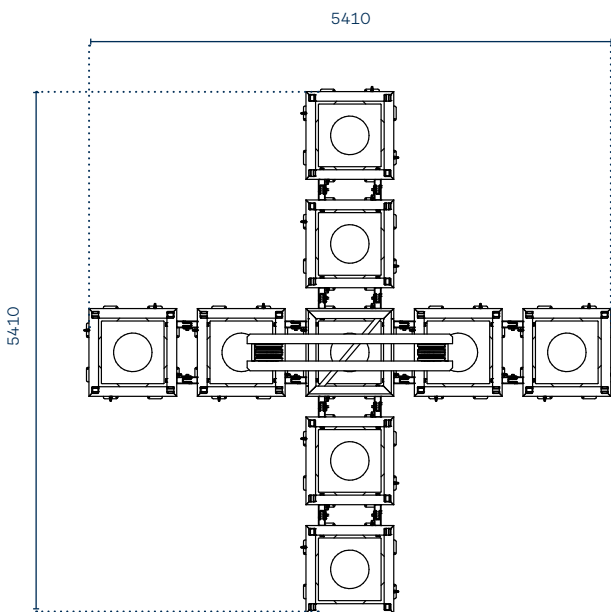
Maxitower MT85



The QL85 high performance tower system has been specifically developed for use with MyT truss.

QL85 encompasses many advanced features including the LITEC modular ballast base support system and the innovative mechanical safety lock - which offers a fast, safe and reliable method of securing the sleeve block at working height.

Maximum tower height	→ 25 m
Lifting system	→ chain hoist
Vertical main truss	→ QL85A
Compatible trusses (with suitable sleeve block)	→ MyT Folding Steroid
Base dimensions	→ 910 x 910 mm
Volume	→ 1 m ³
Maximum lifting load capacity	→ max. 12000 kg





Maxitower MT85 Parts



Sleeve block

Multi-directional sleeve block with a mechanical safety lock system that secures the block from drop and lift when used in conjunction with our Safety Block.

Weight-965 kg



Safety block

Mechanical locking system for use with our SLEEVE BLOCK with telescopic tube and an easily accessible lever mechanism.

Weight-335 kg



Chain hoist support

Aluminum assembly for easy mounting of an electric chain hoist to the sleeve block..

Weight-102 kg



Tower top

Tower Top mounting assembly in steel with a double aluminum pulley system.

Load capacity-5000 kg



Ballast base

Modular steel ballast base support system*. Modular connections on all sides.

Weight-500 kg



Ballast base connection kit

Allows connection to all sides of the ballast base block, either directly to other ballast modules or for the connection of truss.

Weight

MBS-KF01 8 kg

MBS-KA01 23.5 kg

MBS-KA02 26.5 kg

* Concrete ballast block not included

Axial load table

SPAN	F_{am}	F_{am}
m	kg	kg
9	25209	14213
10	24548	12417
11	23823	10854
12	23038	9508
13	22201	8352
14	21323	7358
15	20415	
16	19490	
17	18560	
18	17636	
19	16727	
20	15842	
21	14987	
22	14165	
23	13379	
24	12631	
25	11921	



