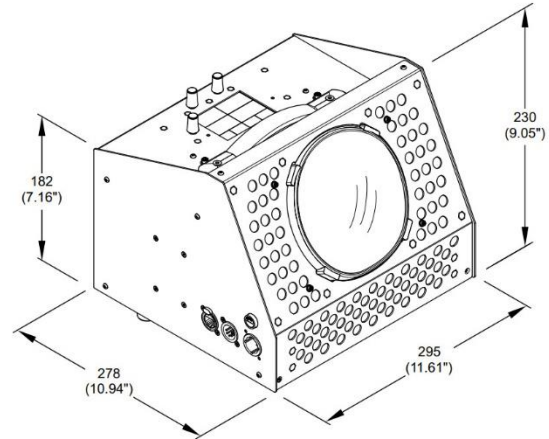


MODEL: ORKIS CYC

CODE: AL2600

March 28, 2024



LIGHT SOURCE:

- Source type:**
 - HCR COB LED (Red + Green + Blue + Cyan + Amber + Lime)
- Power:**
 - 210 W
- Color temperature:**
 - 2500 to 8000K
- CRI:**
 - Up to 98
- LED life expectancy:**
 - 57.000 Hrs L70*

* It may vary depending on various factors, such as the type of use and environment

PHOTOMETRIC DATA:

- Output:**
 - 5700 Lm (integrating sphere)
- Front lens:**
 - Asymmetric
- Optical syt:**
 - High efficiency

NOISE LEVEL:

- Controlled by:**
 - Able to control linearly the speed of the fans
- Fixed preset:**
 - Standard mode: 24,2 dBA
 - Silent mode: 22,7 dBA
 - Fanless mode: 21,2 dBA

CONTROL & CONNECTIONS:

- Personalities:**
 - 4 modes with 14 / 14 / 27 / 27 control channels
- Protocols:**
 - DMX 512, Art-Net, sACN, RDM
- Connectors:**
 - Locking 5 pin XLR IN/OUT
 - RJ45 IN & OUT
- Power con.:**
 - PowerCon True1 IN/OUT
- Web server:**
 - Built-in
- CloudIO:**
 - Fully compatible
 - On-field calibration for color consistency

DYNAMIC EFFECTS:

- Colors:**
 - Wide color gamut and extended spectrum
 - High color rendering
 - Flexible color control
- Beam:**
 - Asymmetric flood
 - Seamless beam blending
- Dimmer / Shutter:**
 - High resolution electronic Dimmer - 24 bit, 4 curves

HARDWARE & SOFTWARE:

- Long life self-charging battery
- Display graphic LCD backlit B/W display
- Firmware upload from another fixture
- Firmware upgrade via Web Server
- Diagnostic
- DMX monitoring
- Remote access through RDM

HOUSING:

- Aluminium and steel structure with plastic covers
- Two side handles for transportation
- IP20 protection rate
- Working in any position
- Hanging system: with fast-lock Omega clamps (1/4) turn on the base
- Optional safety chain

COOLING SYSTEM

- Active liquid cooling + forced ventilation

ELECTRICAL:

- Operating voltage:** • 100-120 / 200-240V, 50/60Hz
- Power Supply:** • Electronic auto range with active PFC
- MAX Power consumption:** • 250 W

THERMAL SPECIFICATION:

- MAX Ambient temperature:** • 40°C (104°F)
- Min Ambient Temperature:** • -20°C (-4°F)
- MAX temp. of the ext. surface:** • 80°C (176°F)
- Total heat dissipation:** • 844 BTU/hr ±10% / 890kJ/hr ±10%

SAFETY SPECIFICATIONS:

- Min. dist. of illum. objs:** • 0.2 m (8")
- Min. dist. from flamm. mat.:** • 0.2 m (8")
- Protections:**
- Thermally protected power supply (overheating and cooling failure)
 - 5x20 GT delay cylindrical fuse

COMPLIANCE:

CE Marking (in conformity to the following):

- 2014/35/EU – Low Voltage directive (LV)
- 2014/30/EU – Electromagnetic compatibility of equipment (EMC)
- 2011/65/EU - Restriction of the use of certain hazardous substances (RoHS)
- 2009/125/EC - EcoDesign requirements for Energy-related Products (ErP)

UKCA conforms to UK Regulations:

- S.I. 2016 N.1101
- S.I. 2016 N.1091
- S.I. 2012 N.3032
- S.I. 2021 N.745

cETLus LISTED:

- UL1573:2003
- CSA 22.2 N.166:2015

PACKAGING:

- Carton box

WEIGHT & SIZES:

- Weight:** • 5.89 kg
• 13 lbs
- Base dim.s:** • 295 x 278 mm
• 11.61 x 10.94 in
- Height with vert. head (h):** • 230 mm
• 9.05 in
- Dist. b/t 2 fixt:** • 1000 mm (Suggested)
• 39.37 in

ACCESSORIES:

- Omega bracket:** • 2x183102/805 (Included)
- ETL Power:** • CAB02B-802 (Included)
* Cord 1.5 m (bare end with IP65 PowerConTrue1 conn.)
- Safety Chain:** • 105041-001 (Optional)
- Clamp:** • C21070 (Optional)
- Frost holder:** • AA2049000102 (Optional)
- Barn door:** • AA2048000102 (Included)