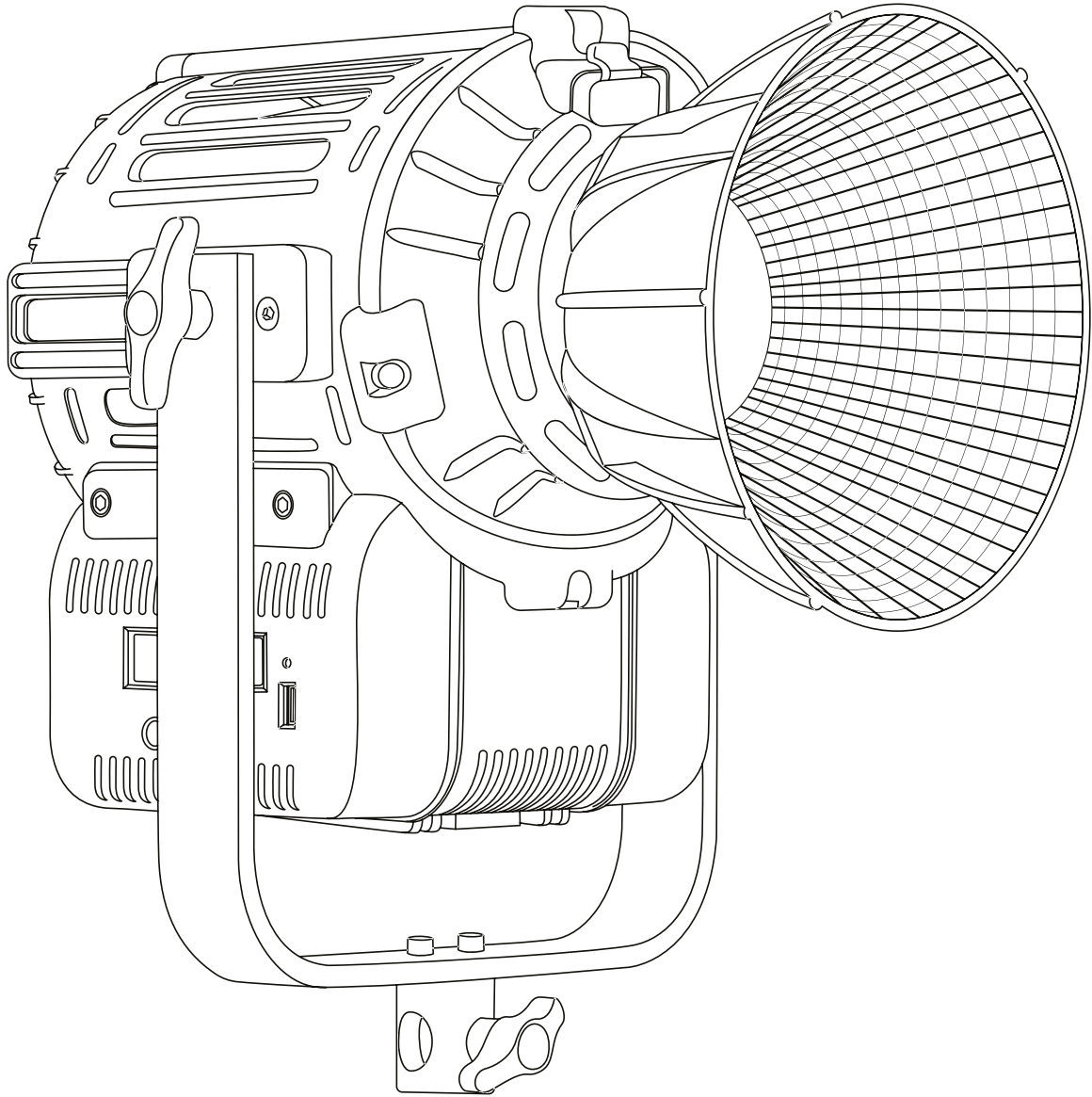


Lupo
Made in Italy



Cod 900

Movielight 300 PRO

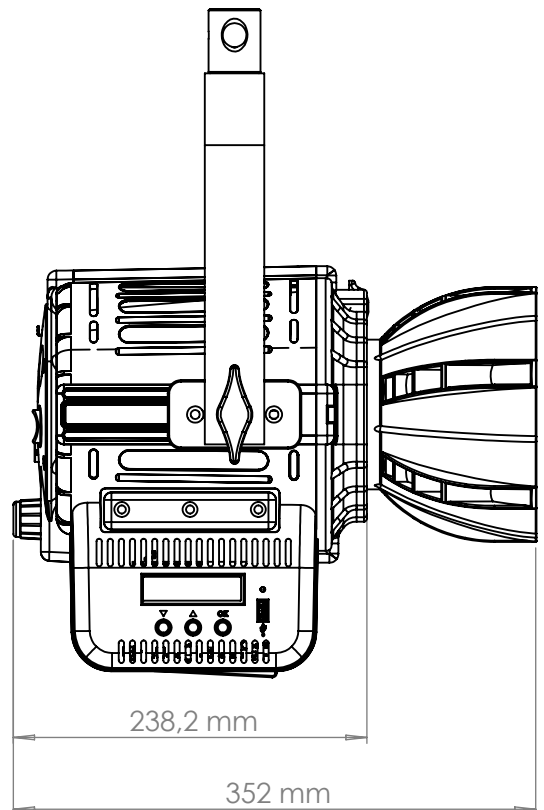
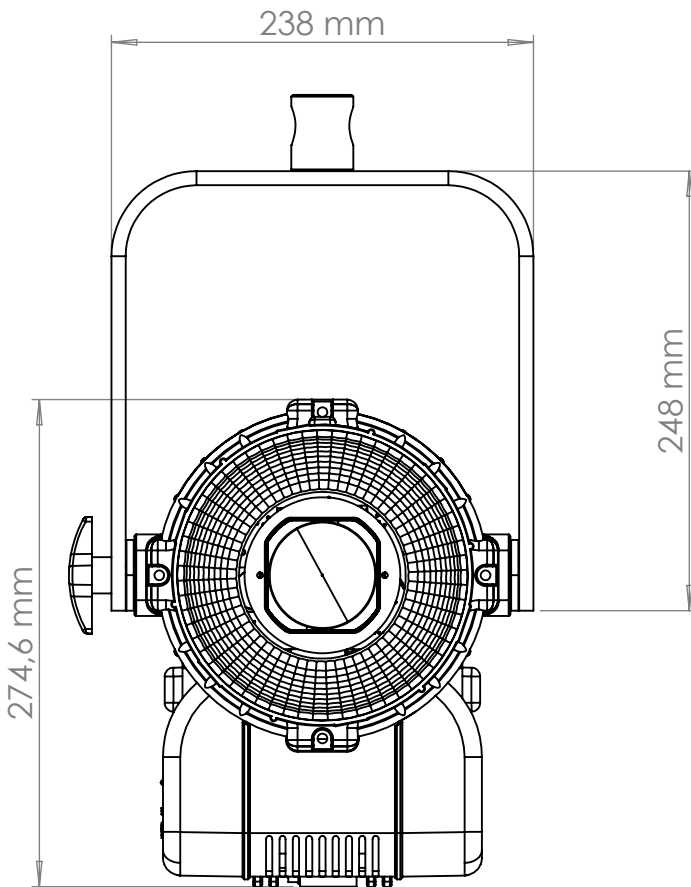
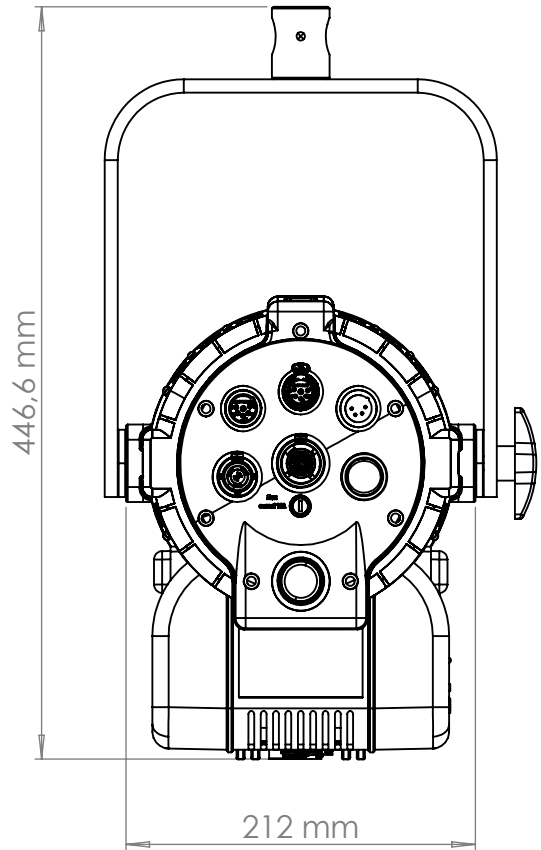
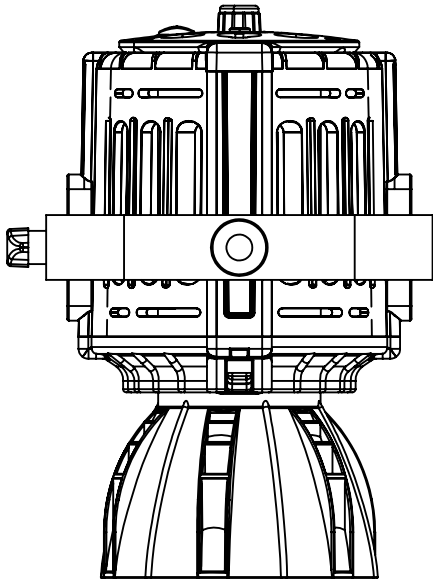
Technical Data

Technical Features

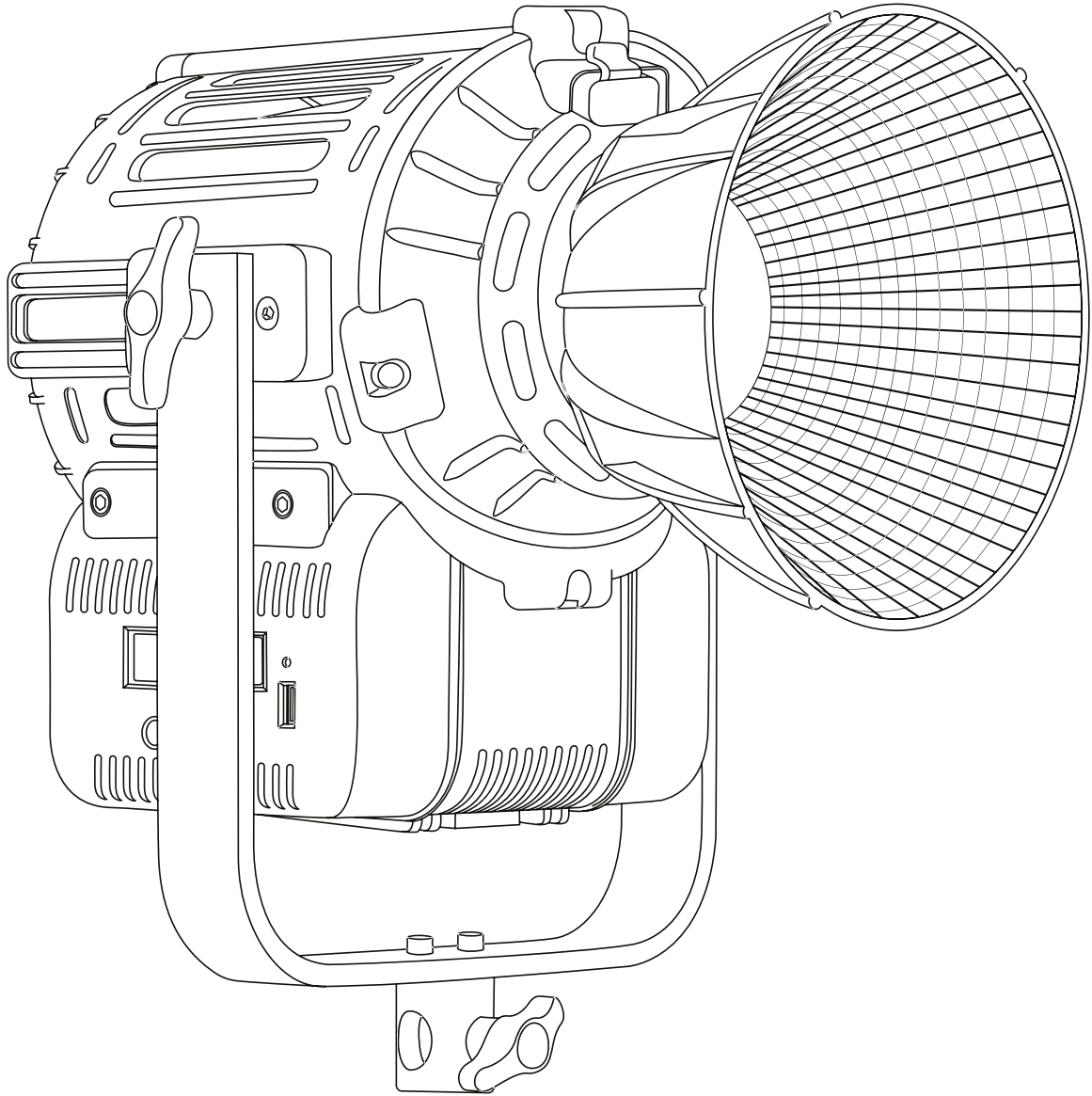
Dimensions (cm)	212 x 274 x 352 mm
Dimensions (in)	8.3 x 10.7 x 13.8 in
Weight (kg)	5 kg
Weight (lb)	11 lb
CRI (Colour Rendering Index)	96
TLCI (Television Lighting Consistency Index)	98
LED COB	200 W
Dimmer 0 - 100	included
Dimming curves mode	Linear, Exponential, Logarithmic
Connection for 14.8 V battery with standard XLR 4 pin connector (pin 1: negative / pin 4: positive)	included
Standard XLR 5 pin connectors to DMX console	included
Bluetooth Long Range	included
Accessory type	Bowens Mount
Parabolic Hyper Reflector	included
Watt consumption	220 W
Firmware upgrades	through USB port
Colour temperature	5600 K
Voltage AC	90 V - 240 V
Voltage DC	14.8 V
Light beam	85° (bare bulb) - 55° (with hyper reflector)
Frequency (input)	50 / 60 Hz
Compliance	CE

Photometric data	5600 K	
	bare bulb	hyper reflector
Distance		
Lux at 1 m - 3.2 ft	13900	39000
Lux at 2 m - 6.5 ft	3450	7800
Lux at 3 m - 9.8 ft	1580	3250
Lux at 4 m - 13.1 ft	870	1700
Lux at 5 m - 16.4 ft	550	1080

Technical Drawing



Lupo
Made in Italy



Cod 901

Movielight 300 Dual Color PRO

Technical Data

Technical Features

Dimensions (cm)	212 x 274 x 352 mm
Dimensions (in)	8.3 x 10.7 x 13.8 in
Weight (kg)	5 kg
Weight (lb)	11 lb
CRI (Colour Rendering Index)	96
TLCI (Television Lighting Consistency Index)	98
LED COB	200 W
Dimmer 0 - 100	included
Dimming curves mode	Linear, Exponential, Logarithmic
Connection for 14.8 V battery with standard XLR 4 pin connector (pin 1: negative / pin 4: positive)	included
Standard XLR 5 pin connectors to DMX console	included
Bluetooth Long Range	included
Accessory type	Bowens Mount
Parabolic Hyper Reflector	included
Watt consumption	220 W
Firmware upgrades	through USB port
Colour temperature	2800 K - 6500 K
Voltage AC	90 V - 240 V
Voltage DC	14.8 V
Light beam	85° (bare bulb) - 55° (with hyper reflector)
Frequency (input)	50 / 60 Hz
Compliance	CE

Photometric data

Distance	6500 K		5600 K		3200 K	
	bare bulb	hyper reflector	bare bulb	hyper reflector	bare bulb	hyper reflector
Lux at 1 m - 3.2 ft	14500	40000	13900	39000	11000	32000
Lux at 2 m - 6.5 ft	3600	8500	3450	7800	2550	6500
Lux at 3 m - 9.8 ft	1650	3400	1580	3250	1150	2500
Lux at 4 m - 13.1 ft	905	1800	870	1700	650	1450
Lux at 5 m - 16.4 ft	600	1520	550	1080	400	900

Technical Drawing

