



- Compact and lightweight
- No fan, very quiet operation
- IP67 protection rating

PARLED 200 PRO DRS IP67 is our RGBW Full Color flood light projector.
Fixture configuration by DRS Setup.

Suitable for touring, tv studios, venues, theatres and generally for the architainment market.
This fixture is wireless ready. Integral Wireless DMX control is available as an option (art. WI PCB-REC).

- Standard fixture colour finishing is black. Optional grey and white (art. FX-COLOUR).

TECHNICAL FEATURES

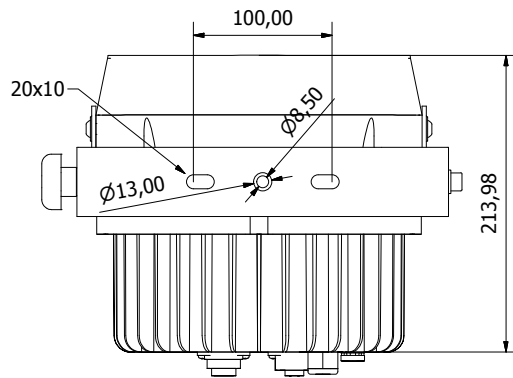
www.studiodue.com

ITEM	FIXTURE	[KEY features]
LEDs	RGBW	16 RGBW/FC (supplied 600mA)
Total light power		100W
Lumen		Red 1500, Green 2200, Blue 450, White 3000
Optics		15° beam (38 mm lenses) On request: medium and wide beam
Power consumption		100W - 0,45A@230Vac - PF >0,95
Voltage range		Universal 100 - 240Vac
Physical		305x212x346 mm
Weight		6,5 Kg
Operating temperature range		Ta -20° +45° / Tc 75°
Control		Standard interface: RS-485; opto-couplet bi-directional Protocol: USITT DMX 512, RDM Protocol ready > Integral Wireless DMX control (receiver) is available as an option (art. WI PCB-REC).
Connections		Signal: 4pin IP 67 connector (male-female) possibility to link up to 32 devices in chain
Setup		By DRS (remote control device) Dedicated DMX channel for white balance DMX or Auto mode with Master-Slave function Halogen simulation CYM simulation Flicker-free function Smooth dimming function
DMX channels		9CH mode, 6CH mode, 5CH mode, 4CH mode



PHYSICAL

www.studiodue.com



PARLED 200 PRO series

