



warm neutral cool

art. 1815: MP120/B (Maxi Power)
Monochromatic

Studio Due®

emotion and creativity in light



- Industrial areas •
- Logistic areas •
- Recreational areas •
- Sportive arenas •

MP₁₂₀
maxi Power
modular
system

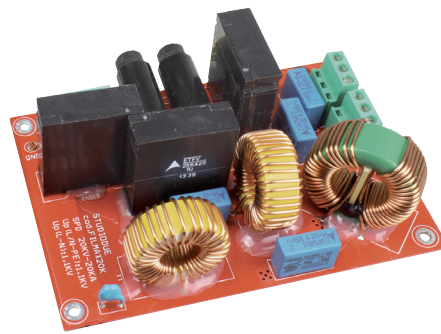
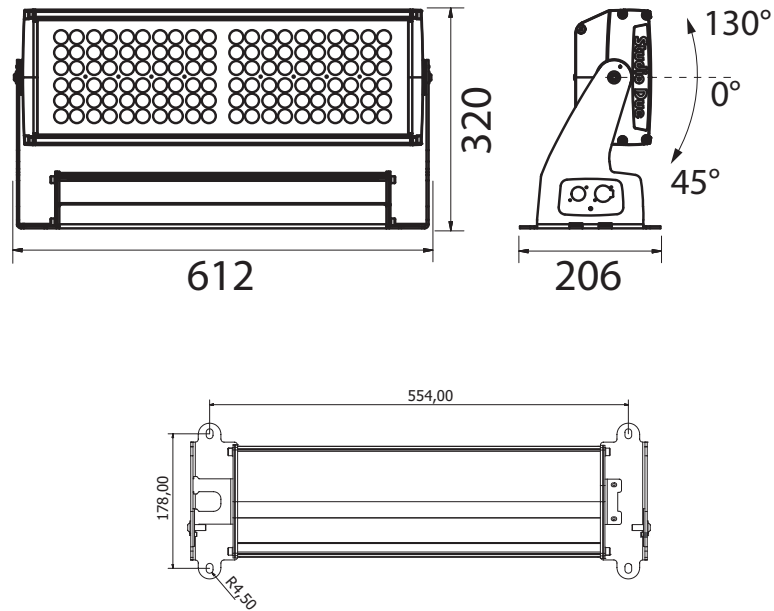
A new range of modular HIGH-EFFICIENCY LED luminaires that combine high light output in a compact size. The use of a new forged aluminium heat sink has made it possible to reduce the fixtures weight and dimensions increasing efficiency. The new NICHIA NVSW319AT LEDs produces an effective efficiency of over 130lumen Watt. Options to change the luminaires brightness via DMX and via DALI. Completely modular, it is possible to assemble a single group of MP luminaires with a total light output up to 168.000 lm. Different mounting brackets and accessories are available for installation at ground level, on poles or columns, on buildings and other structures.

- Standard fixture colour finishing is grey. Optional black and white (art. FX-COLOUR). Optional: marine grade treatment.

ITEM	FIXTURE	[KEY features]
LEDs	Monochromatic	120 Hi-Power WHITE LED NICHIA NVSW319AT
CCT		4000K (3000K, 5600K available)
CRI		>70 (>80 available)
Useful life		L70 >60.000 hours
Total light power		270W
Lumen		42.000 (cool white led)
Optics		6°, 12°, 20°, 30°, 45°, 60°, 12°x48°
Optic cover		PMMA
Impact resistance		IK08
Tilt		Manual 175°
Control		Standard: plug-in Optional: Dim Control Interface DMX-RDM and DALI
Connections		Power Connection IP65 POWERCON connector (or IP67 cable gland) Optional: Signal Connection IP65 XLR 5pins connector 1-2-3 DMX, 4-5 DALI (or IP67 cable gland)
Switching power supply		Surge Protection 10KA,10KV max (Differential and Common mode Protections) *
Voltage range		180-240Vac; 47-65Hz
Gear unit		N.1x 320W
Power consumption		285W
Inrush current		60A (230Vac)
Power Factor (PFC)		>0,95
Operating temperature		-40° to +40°
Physical		612x206x320mm
Weight		16 Kg

PHYSICAL

www.studiodue.com



[* all fixtures of this series]

High immunity to voltage overloads thanks to the use of a 10KV-10KA Surge Protection Module capable of withstanding voltage and current pulses up to 10.000Volt and 10.000Ampere.