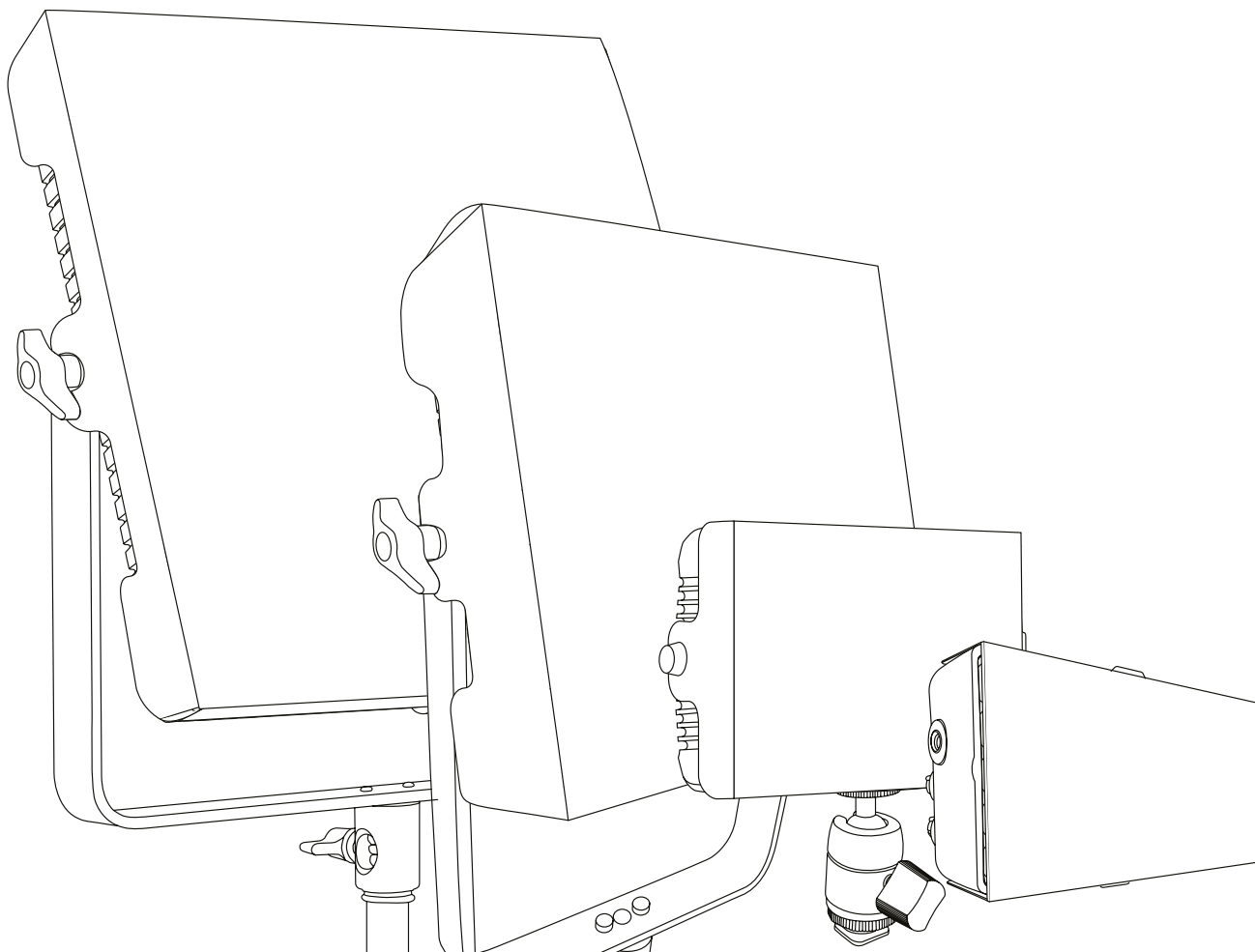


Lupo

Made in Italy



User Manual

DIFFUSER

Instructions for Smartpanel Diffuser

To secure the diffuser on the Smartpanel model, tighten the captive screws to the threads on the upper and lower sides of the panel (fig. 1).

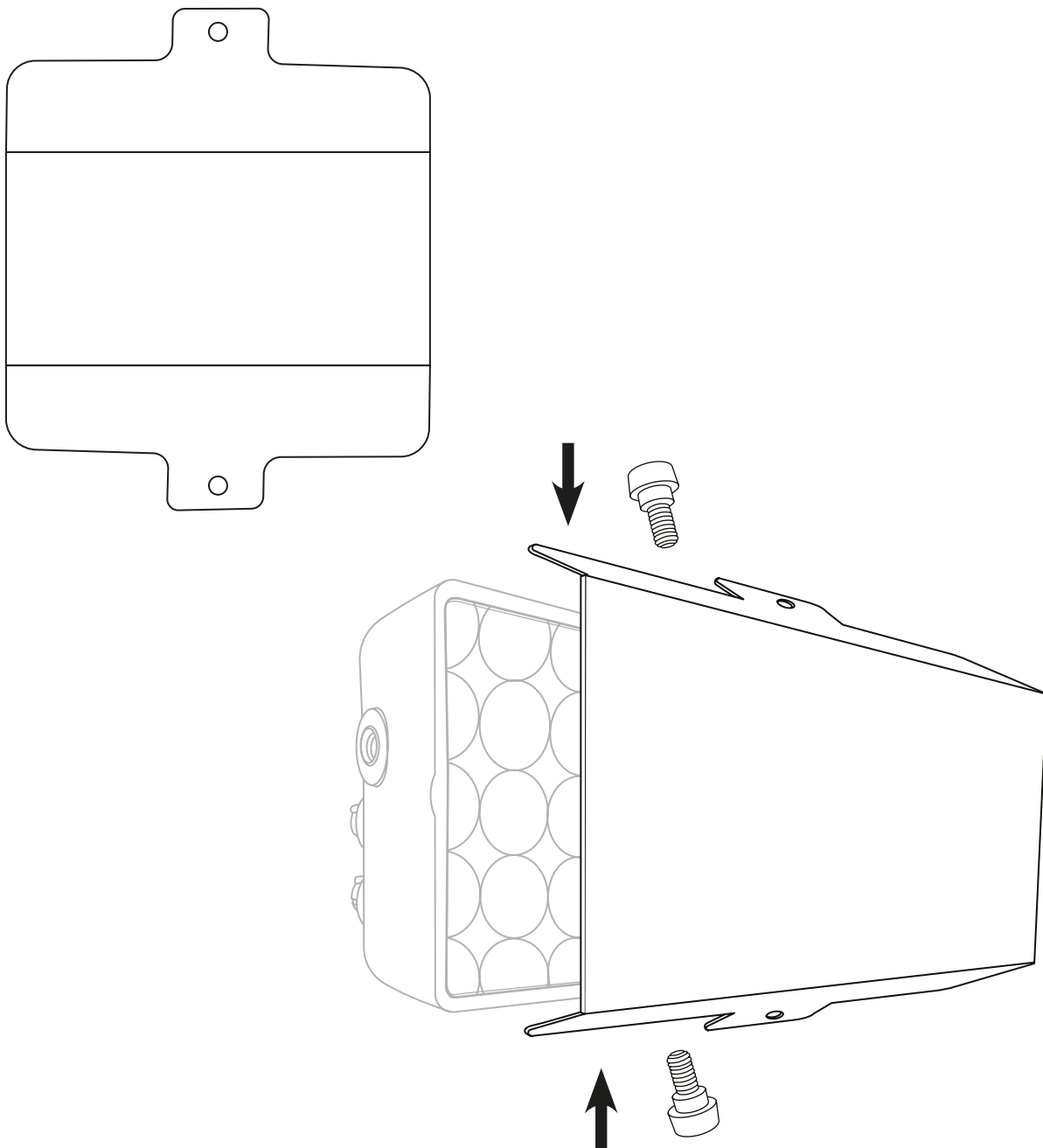


fig. 1

Instructions for Kickasspanel Diffuser

To secure the diffuser on the Kickasspanel model, tighten the captive screws to the threads on the left and right side of the panel (fig. 1).

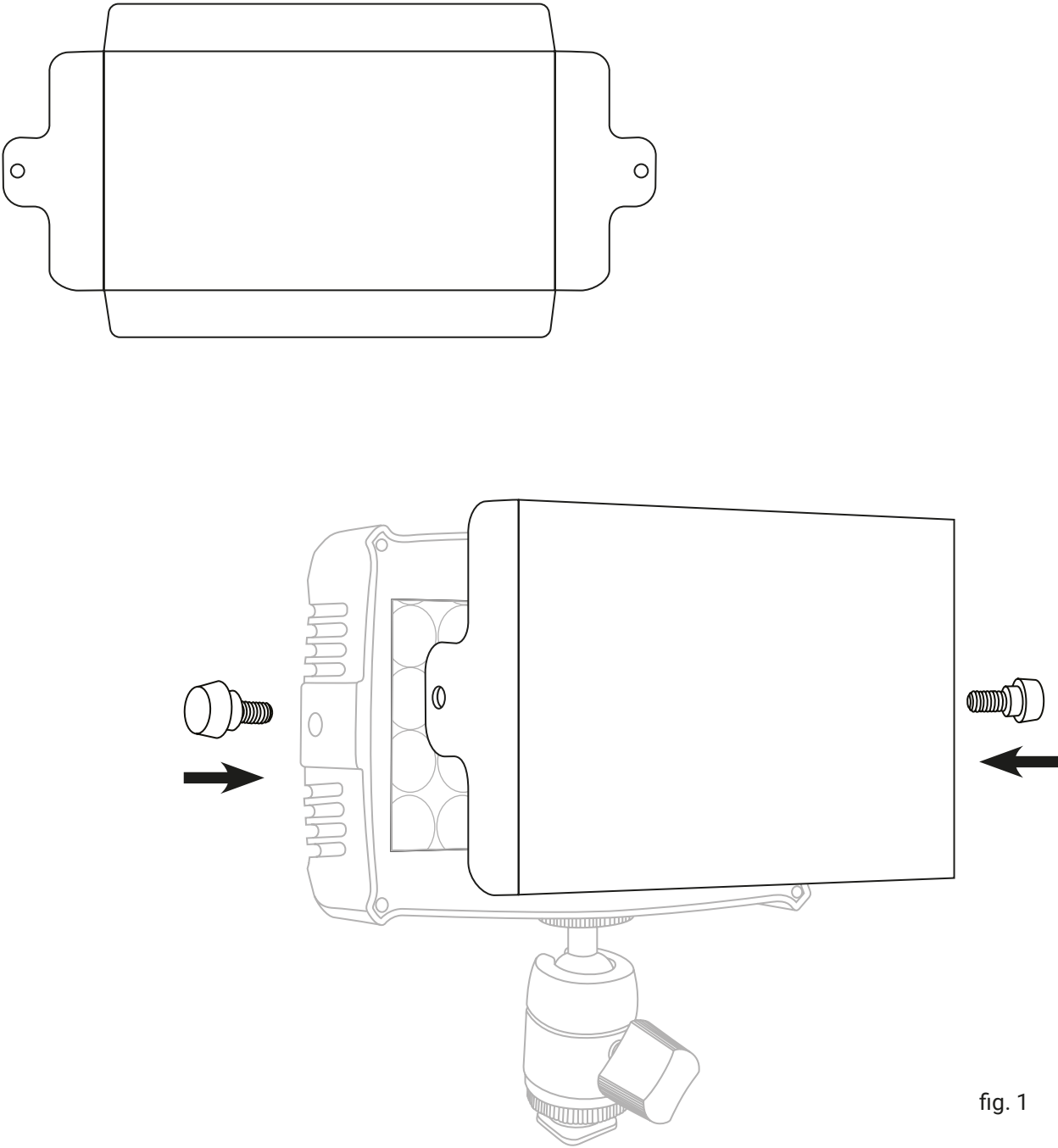


fig. 1

Instructions for Actionpanel Diffuser

To secure the diffuser on the Actionpanel models, fold the diffuser along the lines and insert the tabs in the dedicated cuts (fig. 1). Then tighten the captive screws to the threads on the upper and lower sides of the panel (fig. 2).

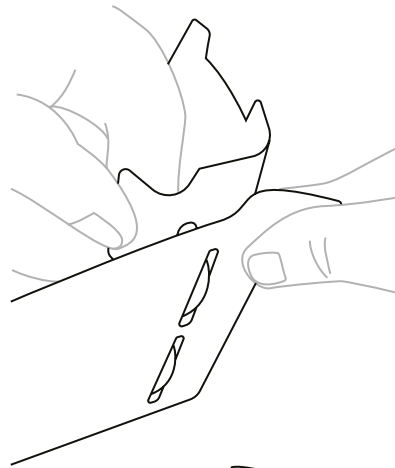
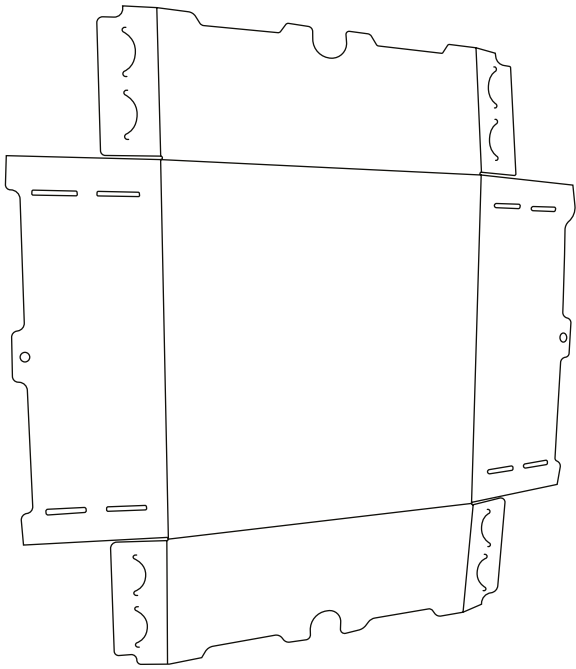


fig. 1

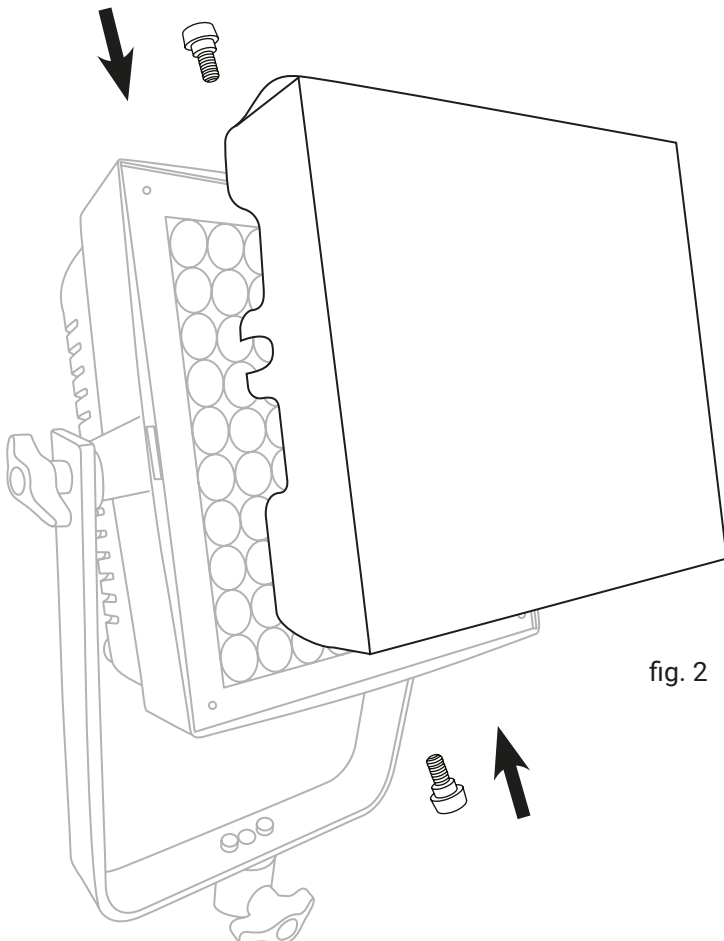


fig. 2

Instructions for Superpanel 30 Diffuser

To secure the diffuser on the Superpanel 30 models, fold the diffuser along the lines and insert the tabs in the dedicated cuts (fig. 1). Then tighten the captive screws to the threads on the upper and lower sides of the panel (fig. 2).

