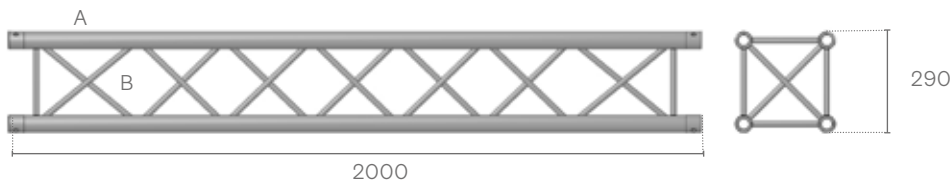


QC30E



QC30E Series trusses are designed with main tubes (50 x 2 mm) and diagonals (20 x 12 mm), and use bush connectors. They are strong and versatile, and are ideal for exhibition and entertainment sector applications. The series also includes rings and corners.



Chords A:
extruded tube \varnothing 50 x 2 mm
EN AW-6082 T6

Diagonals B:
extruded tube \varnothing 20 x 2 mm
EN AW-6082 T6

Connection systems:
Fast conical
connection system

Linear elements




code	cm
QC30E010M5	29 x 29 x 10.5
QC30E021	29 x 29 x 21
QC30E050	29 x 29 x 50
QC30E071	29 x 29 x 71
QC30E100	29 x 29 x 100
QC30E150	29 x 29 x 150
QC30E200	29 x 29 x 200
QC30E250	29 x 29 x 250
QC30E300	29 x 29 x 300
QC30E400	29 x 29 x 400

Corners and fittings

code	description
QC30K8	E-Series Six-way DADO
FPC30E	E-Series Universal truss floor plate - 30 cm.
QC30EL2090	E-Series 90° two-way corner
QC30EL2ADJ	E-Series Adjustable two-way corner
QC30EL3	E-Series 90° three-way corner
QC30ET3	E-Series Three-way T corner
QC30EX4	E-Series 90° four-way corner



Load table / Conical connection

SPAN	Unif. distributed load	Centre point load	Third point load
	Point load	Point load	Point load
m	kg/m	kg	kg
4	426	1171	852
6	257	771	578
8	142	568	426
10	89	444	333
12	60	359	269
14	42	297	222
16	31	248	186
18	23	210	157
20	18	177	133

Load table has been prepared in accordance with din4113 and DIN18800. When calculating the allowable loads it is assumed that the load is suspended from the bottom chord and the truss is supported from the top chord at each end. The values shown in the table are the allowable static loads that can be applied to the truss. This is the live load or the payload. The

self-weight of the truss has been taken into account when calculating the values in the table. It should be noted that this are idealized loading conditions and the User shall re-analyze the truss for the loading conditions which prevail for the application being considered.

QC30E System

these pages show corners, fittings and accessories for E Square Series Trusses with conical connection. Junctions are very important to build up a successful modular system. The corners available ensures maximum versatility to meet any specific project requirements.

Corners & fittings



LT QC03K8
Six-way DADO



LT QC30EL2090
90° two-way corner



LT QC30EL2ADJ + CON 70B
Adjustable two-way corner + Connection Kit



LT QC30EL3
90° three-way corner



LT QC30ET3
Three-way T corner



LT QC30EX4
90° four-way corner

Connections



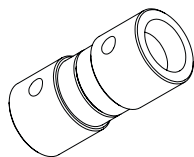
QCEFC
Quick connection set full spigot – 4 pieces

QCEHC
Quick connection set half spigot – 4 pieces

Accessories



FPC30E
Universal truss floor plate
30 cm



QC30P010M5
Adapter for truss 29 cm.
square cm. 10.5



CL2D50
Transport clip. Plastic casting
for truss stacking. Fits
48 - 51 mm tube

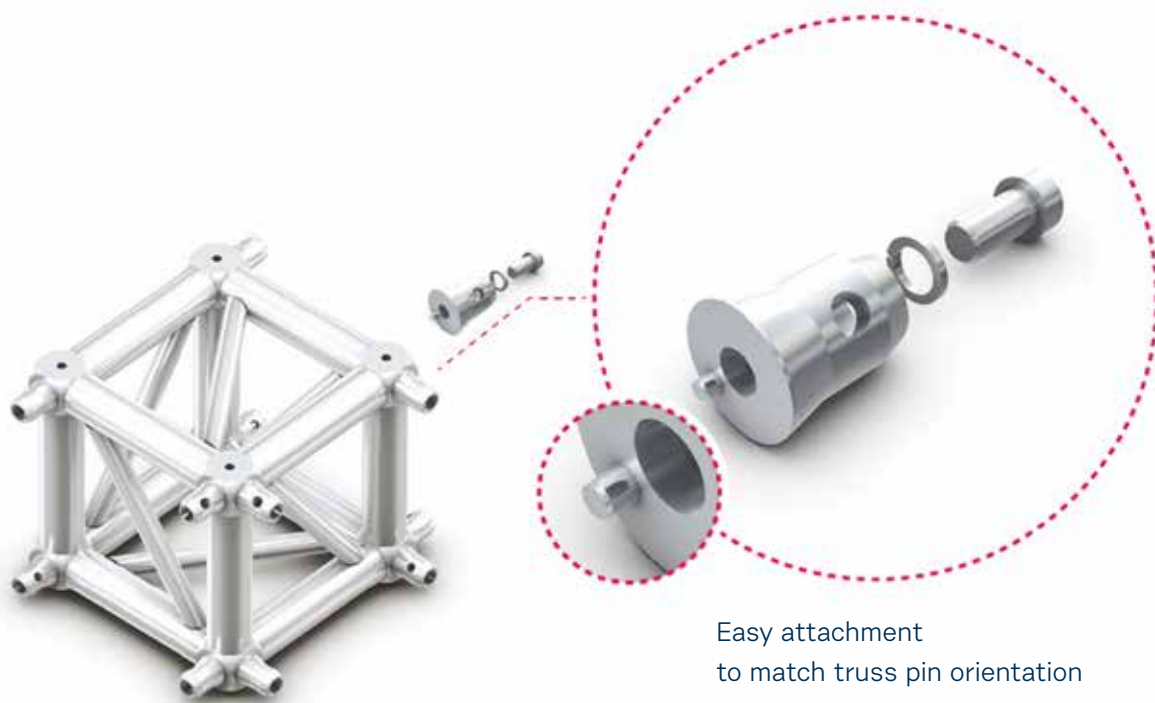


CS029-40
Ceiling support for 30-40 truss
series - silver

Dado system



QCEFC
DADO connection set - 4 pcs

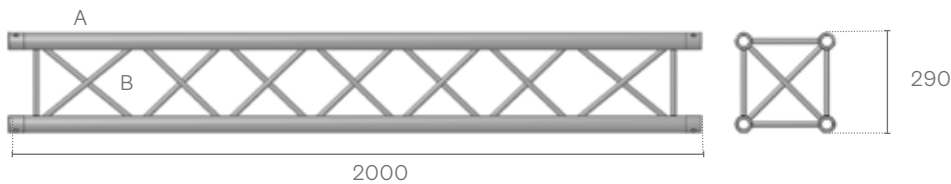


DADOS are extremely versatile alternative solutions to standard welded junctions. The compact DADO can easily be configured up to 6 ways by adding male and female receivers in the appropriate faces. To calculate number of receivers required, determine how many directions (ways) the DADO is to be configured and multiply this number by 4 (i.e. a 3-way junction requires 12 off male and female receivers).

QC30P



QC30P Series trusses are designed with main tubes (50 x 2 mm) and diagonals (16 x 12 mm), and use bush connectors. They are compact and strong, and represent the perfect solution for fixed installations and the exhibition industry. The series also includes rings and corners.



Chords A:
extruded tube \varnothing 50 x 2 mm
EN AW-6082 T6

Diagonals B:
extruded tube \varnothing 20 x 2 mm
EN AW-6082 T6

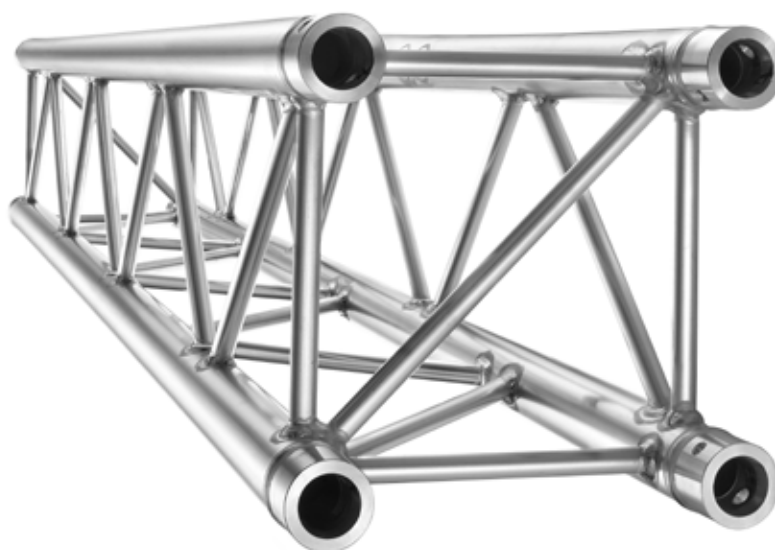
Connection systems:
Fast conical
connection system

Linear elements

code	cm
QC30E010M5	29 x 29 x 10.5
QC30E021	29 x 29 x 21
QC30E050	29 x 29 x 50
QC30E071	29 x 29 x 71
QC30E100	29 x 29 x 100
QC30E150	29 x 29 x 150
QC30E200	29 x 29 x 200
QC30E250	29 x 29 x 250
QC30E300	29 x 29 x 300
QC30E400	29 x 29 x 400

Corners and fittings

code	description
QC30K8	Six-way cube
FPC30E	Universal truss floor plate - 30 cm
QC30EL2090	90° two-way corner
QC30EL2ADJ	Adjustable two-way corner
QC30EL3	90° three-way corner
QC30ET3	Three-way T corner
QC30EX4	90° four-way corner



Load table / Conical connection



SPAN	Unif. distributed load	Centre point load	Third point load
	Point load	Point load	Point load
m	kg/m	kg	kg
4	426	1171	852
6	257	771	578
8	142	568	426
10	89	444	333
12	60	359	269
14	42	297	222
16	31	248	186
18	23	210	157
20	18	177	133

Load table has been prepared in accordance with din4113 and DIN18800. When calculating the allowable loads it is assumed that the load is suspended from the bottom chord and the truss is supported from the top chord at each end. The values shown in the table are the allowable static loads that can be applied to the truss. This is the live load or the payload. The

self-weight of the truss has been taken into account when calculating the values in the table. It should be noted that this are idealized loading conditions and the User shall re-analyze the truss for the loading conditions which prevail for the application being considered.

QC30P System

these pages show corners, fittings and accessories for E Square Series Trusses with conical connection. Junctions are very important to build up a successful modular system. The corners available ensures maximum versatility to meet any specific project requirements.

Corners & fittings



LT QC30K8
Six-way DADO



LT QC30EL2090
90° two-way corner



LT QC30EL2ADJ + CON 70B
Adjustable two-way corner + Connection Kit



LT QC30EL3
90° three-way corner



LT QC30ET3
Three-way T corner



LT QC30EX4
90° four-way corner

Connections



QCEFC
Quick connection set full spigot – 4 pieces

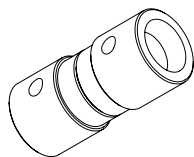
QCEHC
Quick connection set half spigot – 4 pieces

Accessories



FPC30E

Universal truss floor plate
30 cm



QC30P010M5

Adapter for truss 29 cm.
square cm. 10.5



CL2D50

Transport clip. Plastic casting
for truss stacking. Fits
48 - 51 mm tube



CS029-40

Ceiling support for 30-40 truss
series – silver

Dado system



QCEFC

DADO connection set – 4 pcs



Easy attachment
to match truss pin orientation

DADOS are extremely versatile alternative solutions to standard welded junctions. The compact DADO can easily be configured up to 6 ways by adding male and female receivers in the appropriate faces. To calculate number of receivers required, determine how many directions (ways) the DADO is to be configured and multiply this number by 4 (i.e. a 3-way junction requires 12 off male and female receivers).