

LIGHT SOURCE TYPE

- Tailor-made RGB laser engine, enclosed in a sealed module
- Long lasting light source (20000 hrs) with minimal decay
*It may vary depending on various factors, as type of use and environment

PHOTOMETRIC DATA

- Zoom range: 1° to 4°
- 292 Lumen Output (Integrating Sphere)
- Front lens diameter: 60mm
- High efficiency optical system

NOISE LEVEL

- Standard mode (Dimmer @ 100%): 45.0 dBA

CONTROL and CONNECTIONS

- Personalities: Single mode with 27 control channels
- Control Protocol: DMX, Art-Net, RDM, sACN
- DMX and RDM connectors: Locking 5 pin XLR IN/OUT
- Ethernet port: RJ45 IN
- Power connector: PowerCon True1 IN/OUT
- Built In Web Server

DYNAMIC EFFECTS

- Colours:
 - RGB additive color mixing
 - Linear virtual CTO (3000K to 9000K color temperature control)
- Frost:
 - Medium frost on rotating prism wheel
- Rotating Effects
 - Linear prism 6 facets
 - Circular multi-facet prism (16 facets)
- Movement:
 - Pan: Endless rotation - 16bit
 - Tilt: 265° - 16bit
 - Accuracy: Resolution $\pm 0.30^\circ$ (Range 0.60°)
 - Automatic repositioning
 - Fast/Normal speed selectable by Function channel
- Beam:
 - Motorized Zoom and Focus
- Dimmer/Shutter:
 - High resolution electronic Dimmer - 24 bit
 - High speed electronic Shutter and Strobe

HARDWARE and SOFTWARE

- Long life self-charging battery
- Display Graphic LCD backlit b/w Display
- Firmware upload from another fixture
- Firmware Upgrade via Web Server
- Diagnostic
- DMX monitoring
- Remote access through RDM
- CloudIO compatibility

HOUSING

- Aluminum and steel structure with plastic covers
- Two side handles for transportation (optional)
- IP20 protection rate

WORKING POSITION

- Working in any position
- Hanging system: with fast-lock omega clamps (1/4 turn) on the base pn 183102/805
- Optional safety chain

ELECTRICAL

- Operating Voltage: 100-240V, 50/60 Hz
- Power Supply: Electronic auto range
- Max Power consumption: 80VA

THERMAL SPECIFICATION

- Min ambient temperature -10°C (14°F).
- Max ambient temperature 40°C (104°F).
- Max temperature of the external surface 50°C (122°F)
- Total heat dissipation: 273 BTU/hr \pm 10% / 288 kJ/hr \pm 10%

SAFETY SPECS

- Minimum distance of illuminated objects 4 meters (13' 1")
- Minimum distance from flammable materials 0.2 meters (8")
- Thermally protected power supply (overheating and cooling failure)
- Forced ventilation with axial fans

COMPLIANCE

CE marking: In conformity with the European Directives:

- 2014/35/EU - Safety of electrical equipment supplied at low voltage (LVD)
- 2014/30/EU - Electromagnetic Compatibility (EMC)
- 2011/65/EU - Restriction of the use of certain hazardous substances (RoHS)
- 2009/125/EC - EcoDesign requirements for Energy-related Products (ErP)

- UKCA: conforms to UK legislation

- cETLus Listed

PACKAGING

- Carton box + Polystyrene
- Carton box + Foam shell
- Flight case + Foam shell (6 position)

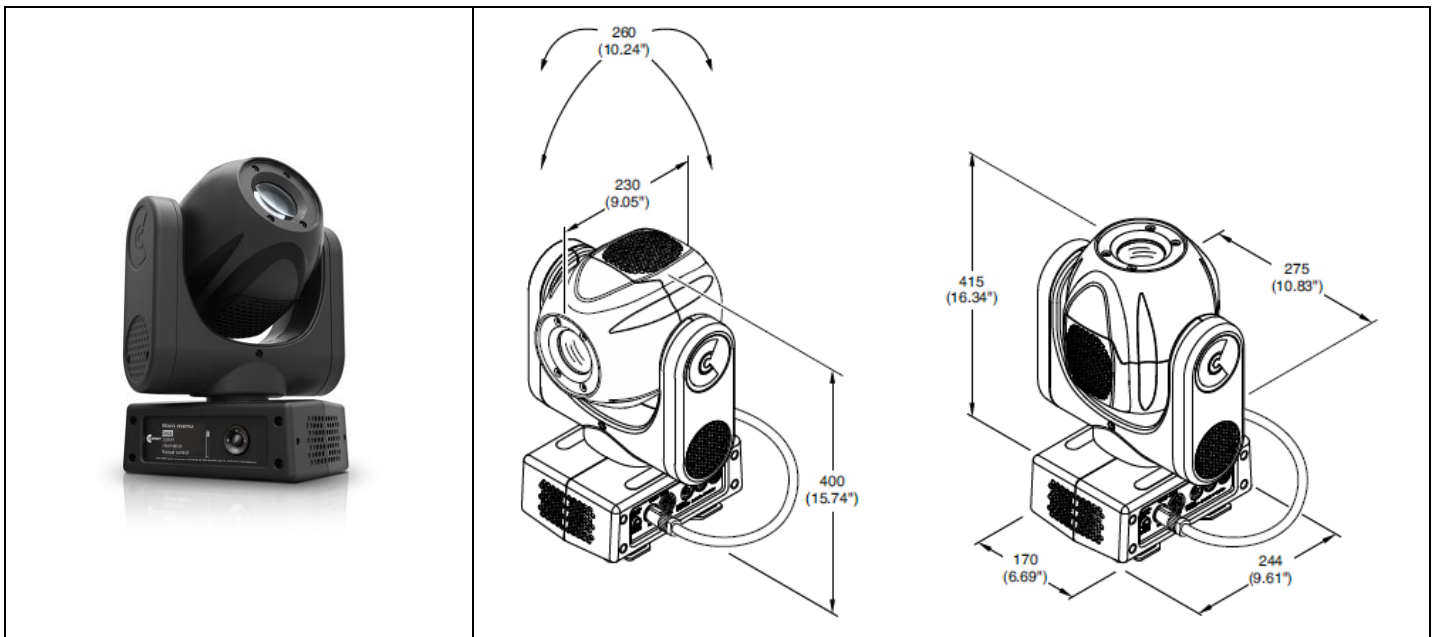
WEIGHT - SIZE

- 9 Kg (19.8 lbs).
- 170x244mm (base dimension) – 415mm with vertical head (h)

ACCESSORIES

- Omega clamps:2x 183102/805 (included)
- Power cord:CAB0K1/802 (included)

- Foam shell (6 position):F21328/001 (optional)
- Flight case:CF1014 (optional)
- Safety Chain:105041/001 (optional)
- Two side handles: CA3001000100 (optional)



LIGHT SOURCE TYPE

- Tailor-made RGB laser engine, enclosed in a sealed module
 - Long lasting light source (20000 hrs) with minimal decay
- *It may vary depending on various factors, as type of use and environment**

PHOTOMETRIC DATA

- Zoom range: 1° to 4°
- 470 Lumen Output (Integrating Sphere)
- Front lens diameter: 60mm
- High efficiency optical system

NOISE LEVEL

- Standard mode (Dimmer @ 100%): 45.0 dBA

CONTROL and CONNECTIONS

- Personalities: Single mode with 27 control channels
- Control Protocol: DMX, Art-Net, RDM, sACN
- DMX and RDM connectors: Locking 5 pin XLR IN/OUT
- Ethernet port: RJ45 IN
- Power connector: PowerCon True1 IN/OUT
- Built In Web Server

DYNAMIC EFFECTS

- Colours:
 - RGB additive color mixing
 - Linear virtual CTO (3000K to 9000K color temperature control)
- Frost:
 - Medium frost on rotating prism wheel
- Rotating Effects
 - Linear prism 6 facets
 - Circular multi-facet prism (16 facets)
- Movement:
 - Pan: Endless rotation - 16bit
 - Tilt: 265° - 16bit
 - Accuracy: Resolution $\pm 0.30^\circ$ (Range 0.60°)
 - Automatic repositioning
 - Fast/Normal speed selectable by Function channel
- Beam:
 - Motorized Zoom and Focus
- Dimmer/Shutter:
 - High resolution electronic Dimmer - 24 bit
 - High speed electronic Shutter and Strobe

HARDWARE and SOFTWARE

- Long life self-charging battery
- Display Graphic LCD backlit b/w Display
- Firmware upload from another fixture
- Firmware Upgrade via Web Server
- Diagnostic
- DMX monitoring
- Remote access through RDM
- CloudIO compatibility

HOUSING

- Aluminum and steel structure with plastic covers
- Two side handles for transportation (optional)
- IP20 protection rate

WORKING POSITION

- Working in any position
- Hanging system: with fast-lock omega clamps (1/4 turn) on the base pn 183102/805
- Optional safety chain

ELECTRICAL

- Operating Voltage: 100-240V, 50/60 Hz
- Power Supply: Electronic auto range
- Max Power consumption: 80VA

THERMAL SPECIFICATION

- Min ambient temperature -10°C (14°F).
- Max ambient temperature 40°C (104°F).
- Max temperature of the external surface 50°C (122°F)
- Total heat dissipation: 273 BTU/hr ±10% / 288 kJ/hr ±10%

SAFETY SPECS

- Minimum distance of illuminated objects 4 meters (13' 1")
- Minimum distance from flammable materials 0.2 meters (8")
- Thermally protected power supply (overheating and cooling failure)
- Forced ventilation with axial fans

COMPLIANCE

CE marking: In conformity with the European Directives:

- 2014/35/EU - Safety of electrical equipment supplied at low voltage (LVD)
- 2014/30/EU - Electromagnetic Compatibility (EMC)
- 2011/65/EU - Restriction of the use of certain hazardous substances (RoHS)
- 2009/125/EC - EcoDesign requirements for Energy-related Products (ErP)

- UKCA: conforms to UK legislation

- cETLus Listed

PACKAGING

- Carton box + Polystyrene
- Carton box + Foam shell
- Flight case + Foam shell (6 position)

WEIGHT - SIZE

- 9 Kg (19.8 lbs).
- 170x244mm (base dimension) – 415mm with vertical head (h)

ACCESSORIES

- Omega clamps:2x 183102/805 (included)
- Power cord:CAB0K1/802 (included)

- Foam shell (6 position):F21328/001 (optional)
- Flight case:CF1014 (optional)
- Safety Chain:105041/001 (optional)
- Two side handles: CA3001000100 (optional)