

NEW product



# Studio Due®

emotion and creativity in light

Very high power LED fixture with unique characteristics using 80 5050-20W RGBW multi-chip LEDs distributed on 8 separately addressable segments. Thanks to the great availability of optics, it is suitable for illuminating large areas both at short and long distances. Designed to be used by rental services on tours, festivals, major events, theaters, cinema and TV production studios. Possibility to obtain great scenographic effects using the 8 sectors of 10 LEDs that can be addressed separately for both color and intensity. Characterized by a modern and essential design completely made of aluminum alloy.

Standard fixture colour finishing is black.  
Optional: grey and white (art. FX-COLOUR).  
Optional: marine grade treatment.

**Citycolor10** Stage  
made in ITALY



- 8 independent segment control •
  - LIGHT •
  - POWERFUL •

ITEM	FIXTURE	[ KEY features ]
LEDs	RGBW	n. 80 (5050-20W-RTBH) with white 4000K CRI>80 Expected lifetime: 50.000 hours
Lumen		Red: 12000, Green: 22000, Blue 4000, White 24400 Maximum lumens: 58400
Optics	(38 mm lenses)	8°, 15°, 25°, 40°, 60°, 15°x30° - filter 60°, 100°, 8°x60° PMMA 8N and ultra clear 4mm tempered glass
Tilt		Manual 122°
Rating protection		IP65 - Optional IP67 upgrade - IK07
Switching power supply (universal voltage)		
Rated Voltage		100-240Vac; 47-63Hz (On request: 100-277Vac)
Rated Power		800W
Rated Current		3,5A@230VAC; Fuse T10A
PFC		PF>0.95/230VAC
Physical		WxDxH: 730x175x385 mm
Weight		19,7 Kg
Control		Standard interface: RS-485, optocoupled input - Protocol: USITT DMX512 / RDM
Connections		Signal: XLR5pin IP65 connector (male-female) Main Power: PowerCon IP65 connector (male-female) Available as accessories: - Wireless DMX receiver
Setup and Functions		RDM control/configuration or by DRS (remote control device) Waterproof touch control panel Dedicated DMX channel for white balance from 2000K to 10000K Dedicated DMX channel for macro DMX or Auto mode with Master-Slave Digital temperature control Flicker-free Smooth dimming Halogen simulation CYM simulation
DMX channels		38CH mode, 32CH mode, 9CH mode, 4CH mode
Optional		LED with 6000K White chip - 65° frost filter - Barndoor - Anti-glare kit - Flight Case DMX connectors and Main Power IP67 - Wireless DMX receiver



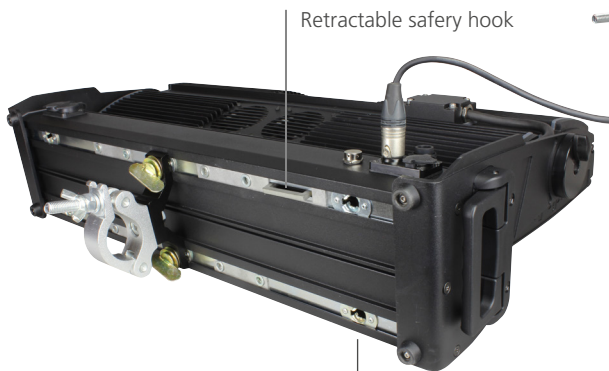
# Studio Due®

emotion and creativity in light

Locking wheel with graduated ring nut for precise pointing of the head



Retractable handles for easy transport



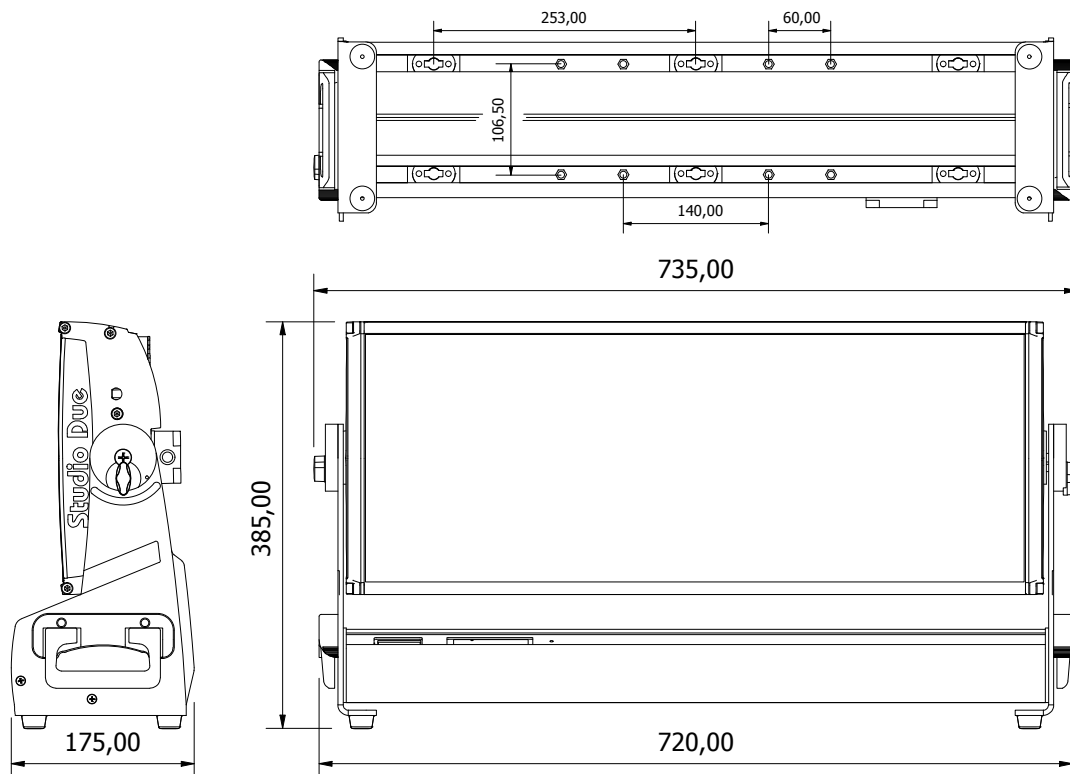
Retractable safety hook



n.8 M6 diameter holes  
maximum screw acceptance  
depth 12mm

n.6 fast-lock receptacles for quick fixing

## DIMENSIONS



NEW product



# Studio Due®

emotion and creativity in light

Very high power long distance IP67 single LEDs colour changer.

- Superb color mixing.
- Ultranarrow projection.
- Great light output.

Practical retractable handles for easy transport. Characterized by a modern and essential design completely made of aluminum alloy.

Standard fixture colour finishing is black. Optional: grey or white (art. FX-COLOUR). Optional: marine grade treatment.

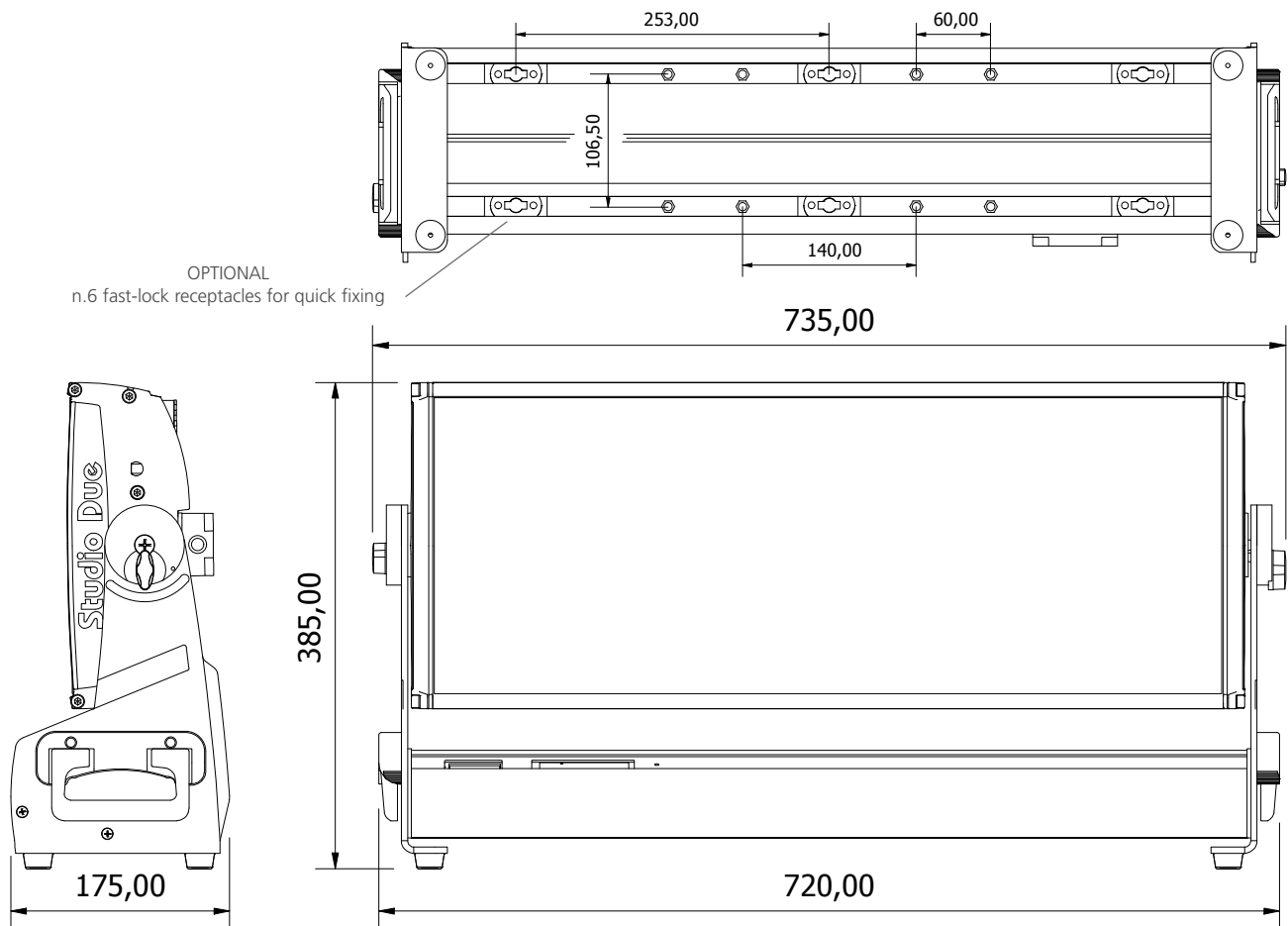
**Citycolor10** Beam  
made in ITALY



ITEM	FIXTURE	[ KEY features ]
LEDs	RGBW	n.93 powerful single-chip LEDs (24 red, 23 green, 23 blue, 23 white) Expected lifetime: 50.000 hours
Lumen		Red: 4000lm, Green: 6000lm, Blue 40W, White 12000lm Maximum lumens: 23000
Optics	(38 mm lenses)	4° PMMA 8N and ultra clear 4mm tempered glass
Tilt		Manual 122°
Rating protection		IP67 - IK07
Switching power supply (universal voltage)		
Rated Voltage		100-240Vac; 47-63Hz (On request: 100-277Vac)
Rated Power		330W
Rated Current		1,5A@230VAC
Inrush Current		60A@230VAC
Physical		WxDxH: 730x175x385 mm
Weight		19 Kg
Control		Standard interface: RS-485, optocoupled input - Protocol: USITT DMX512 / RDM
Connections		Signal: 4pin IP67 connector (male-female) Main Power: 3pin IP67 connector (male-female) Available as accessories: - Wireless DMX receiver
Setup and Features		DMX/RDM control/configuration or by DRS (remote control device) Waterproof touch control panel Dedicated DMX channel for white balance from 2000K to 10000K Dedicated DMX channel for macro Continuous dimmer 0-100% DMX or Auto mode with Master-Slave Intelligent temperature control for maximum output at all times in all weather conditions. Flicker-free Smooth dimming Halogen simulation CYM simulation
DMX channels		10CH mode, 9CH mode, 4CH mode
Other optional		Lens 8°, 15°, 25°, 40°, 60°, 15°x30°, LED Amber, White 2700K, White 6500K XLR-Powercon IP65 connectors - Barndoor - Anti-glare - Flight Case Wireless DMX receiver - 6 fast-lock receptacles for quick fixing



## DIMENSIONS



NEW product



# Studio Due®

emotion and creativity in light



Fanless version of the CityColor R10, it maintains the 80 powerful 5050-20W RGBW multi-chip LEDs. Particularly suitable for fixed installations; practically maintenance free. IP67 connectors; wide range of optics and filters.

Practical retractable handles for easy transport. Characterized by a modern and essential design completely made of aluminum alloy.

Standard fixture colour finishing is black. Optional: grey or white (art. FX-COLOUR). Optional: marine grade treatment.

**Citycolor10** Arch  
made in ITALY

ITEM	FIXTURE	[ KEY features ]
LEDs	RGBW	n. 80 (5050-20W-RTBH) with white 4000K CRI>80 Expected lifetime: 50.000 hours
Lumen		Red: 7500lm, Green: 14000lm, Blue 2400, White 14000lm Maximum lumens: 35500
Optics	(38 mm lenses)	8°, 15°, 25°, 40°, 60°, 15°x30° - filter 60°, 100°, 8°x60° PMMA 8N and ultra clear 4mm tempered glass
Tilt		Manual 122°
Rating protection		IP67 - IK07
Switching power supply (universal voltage)		
Rated Voltage		100-240Vac; 47-63Hz (On request: 100-277Vac)
Rated Power		540W
Rated Current		2,4A@230VAC; Fuse T10A
PFC		PF>0.95/230VAC
Physical		WxDxH: 730x175x385 mm
Weight		19 Kg
Control		Standard interface: RS-485, optocoupled input - Protocol: USITT DMX512 / RDM
Connections		Signal: 4pin IP67 connector (male-female) Main Power: 3pin IP67 connector (male-female) Available as accessories: - Wireless DMX receiver
Setup and Features		DMX/RDM control/configuration or by DRS (remote control device) Waterproof touch control panel Dedicated DMX channel for white balance from 2000K to 10000K Dedicated DMX channel for macro Continuous dimmer 0-100% DMX or Auto mode with Master-Slave Intelligent temperature control for maximum output at all times in all weather conditions. Flicker-free Smooth dimming Halogen simulation CYM simulation
DMX channels		10CH mode, 9CH mode, 4CH mode
Other optional		LED with 6000K White chip - 65° frost filter - Barndoor - Anti-glare kit - Flight Case Wireless DMX receiver - 6 fast-lock receptacles for quick fixing



## DIMENSIONS

