



Besonderheiten

- Vielfalt an Optiken und Zubehör
- 6-Kanal Light Engine ARRI Spectra
- Leistungsstark für maximale Helligkeit und perfekte Farben
- Lighting Operating System (LiOS) mit vielfältigen Softwarefunktionen
- Benutzerprogrammierbare Tasten
- Integrierter Farbsensor zur Anpassung an das Umgebungslicht
- Abnehmbare Steuerung mit intuitiver Nutzerführung
- Vielzahl an Schnittstellen und Sensoren
- Perfekt stufenloses Dimmen bis Null
- Internes Netzteil, drahtloses DMX & Batterieanschluss

Orbiter^{ARRI}

Orbiter ist eine ultrahelle, durchstimmbare und direktionale LED-Leuchte von ARRI. Alle Systeme und Bauteile in Orbiter wurden komplett neu und mit Blick auf vielseitige Anwendungsmöglichkeiten entwickelt. Die neue 6-Kanal-Light-Engine in Orbiter erzeugt einen großen Farbraum, bietet eine hervorragende Farbwiedergabe über alle Farbtemperaturen hinweg und dimmt stufenlos und gleichmäßig von 100 bis auf Null Prozent. Mit seinen wechselbaren Optiken lässt sich Orbiter werkzeuglos in viele verschiedene Scheinwerferarten umbauen, darunter Open-Face-, Flächen- und Domeleuchten sowie viele weitere Möglichkeiten. Orbiter ist der technologisch fortschrittlichste Scheinwerfer, der je für Bildaufzeichnung und Farbtreue produziert wurde. Merkmale, wie ein schneller Prozessor, reichlich Speicherkapazität, vielfältigen Anschlussmöglichkeiten, integrierten Sensoren und ein wetterfestes Gehäuse machen Orbiter außergewöhnlich. Dank Modernster Technologie sowie endlosen Möglichkeiten für Updates, Konfigurationen und Erweiterungen ist Orbiter der optimale Scheinwerfer für heute und für die Zukunft.

Eine wesentliche Neuerung ist die Austauschbarkeit der Optiken. Dank unterschiedlichster Lichtformer ist Orbiter der perfekte Scheinwerfer für sämtliche Anwendungen - ohne Abstriche bei der Strahlung, der Leistung oder der Farbqualität zu machen. Der Quick Lighting Mount (QLM) ermöglicht die Befestigung von Optiken mit sehr unterschiedlichen Eigenschaften.

Orbiter ist ein extrem heller und leistungsstarker, gerichteter LED-Scheinwerfer mit einer Leistung, die der entsprechender HMI-Systeme ähnelt. Die neue, leistungsfähige und dimmbare ARRI Spectra Light Engine kann harte Schatten mit definierten Kanten erzeugen. Die neuartige Light-Engine ist 76 Mal kleiner als die Light-Engine des L10, ist aber bei gleicher Leistungsaufnahme deutlich heller. Mit mehr als 200 dicht angeordneten LEDs erreicht der Orbiter eine Lichtausbeute vergleichbar mit einer Punktlichtquelle, alle Farben bleiben dabei voll durchstimmbar. Mit roten, grünen, blauen, orangegelben (amber), hellblauen (cyan) und hellgrünen (lime) LEDs liefert die sechsfarbige ARRI Spectra Light Engine einen größeren Farbraum, exaktere Farben und vor allem eine noch bessere Farbwiedergabe über den gesamten Weißlicht-Bereich. Hauttöne sehen hervorragend und sehr natürlich aus.

Zubehöre

- | | |
|---------------------|-------------|
| Fresnel Optik | Tuben |
| Projektions Optiken | Flügelstore |
| Open-Face Optiken | Regenhaube |
| Dome Optiken | und weitere |
| Softboxen | |

Apps

- ARRI Stellar
- ARRI Photometrics App

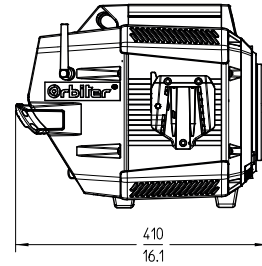
Konfiguration



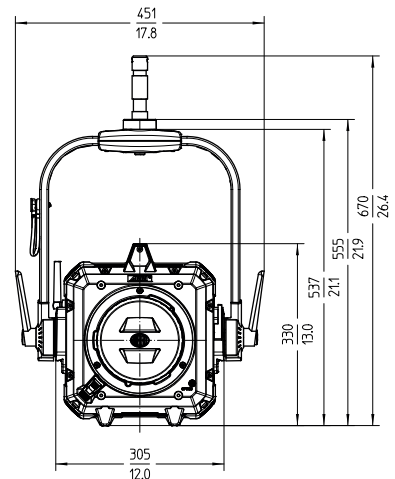
Spezifikationen

| | |
|------------------------------------------------------------|-----------------------------------------------------------------------------------------------------------------------------------------------------------------|
| Optisches System | Wechseloptiken |
| Lichtaustrittsöffnung | 42 mm, ohne Optik |
| Abstrahlwinkel | 80° Halbstreuwinkel, ohne Optik |
| Gewicht | Scheinwerfer: 11,7 kg Manuelle Version: 14,2 kg Stangenbedienbare Version: 14,9 kg |
| Aufhängung | Aluminiumbügel mit Schnellverschluss, Scheibenbremsen, Stangenbedienoption (Neigen & Drehen) |
| Befestigung | 28 mm Zapfen |
| Neigungswinkel | +/- 90° in trockener Umgebung +75° / -90° in feuchter Umgebung & Regenhaube |
| Leistungsaufnahme | 400 W nominal, 500 W maximal |
| Netzspannungseingang | 100 - 240 V~, 50 - 60 Hz |
| Netzspannungsanschluss | powerCON TRUE1 TOP (ohne Stecker / Schuko / Edison, Japanische, Chinesische Kabel erhältlich) |
| Akku Spannungsbereich | 48 - 52 V _{DC} |
| Akku Anschluss | 3 pol. XLR Anschluss (Pin 1: negativ, Pin 2: positiv) |
| Weißlicht | Kalibriert von 2,000 K bis 20,000 K, variable durchstimmbare Farbtemperatur |
| Farb-Modi | CCT, HSI, RGBACL, x/y Koordinaten, Farbfilter, Source Matching & Farbsensor Zusätzlich: Erweiterte Farbsteuerung (ECC) zur individuellen Feinabstimmung |
| Farbtemperaturabstufung | 3.200 bis 5.600 K: +/- 100 K (nominal), +/- 1/8 Grün-Magenta (nominal) |
| Farbwiedergabe im HiCRI Mode | 3.200 bis 5.600 K: CRI Mittelwert > 98 TLCI Mittelwert > 95 TM-30 Mittelwert > 94 |
| Grün-Magenta Anpassung | Kontinuierlich einstellbar (voll +/- grün) |
| Dimmbarkeit | Gleichmäßig & kontinuierlich von 100 bis 0%, Linear / exponentiell / logarithmisch / "S" Kurve |
| Schnittstellen | Abnehmbare Steuerung, 5 pol. XLR Ein- und Ausgang, EtherCON Ein- und Ausgang, 2 x USB-A, USB-C, SD Karte, Sync-Eingang |
| Steuerungsoptionen | DMX 512 (8 & 16 bit), RDM E1.20, drahtlose Steuerung über LumenRadio CRMX ¹ (DMX & RDM), Art-Net, sACN, abnehmbare Steuerung, integriertes Webportal |
| Gehäusefarbe | Blau/Silber, Schwarz |
| Betriebs-Umgebungstemperatur | -20 to +45° C (-4 to +113° F) |
| Schutzklasse | I |
| Schutzart | IP 20 ohne Regenhaube IP 24 mit Regenhaube L2.0037805 |
| Vorraussichtliche LED Lebensdauer (L70) | 50.000 h |
| Vorraussichtliche Farbverschiebung über Lebenszyklus (CCT) | +/- 5 % |
| Zertifikate & Konformitätserklärungen | CB, CE, UKCA, ENEC, cNRTLus, ICES, FCC, PSE, MIC, KC, SRRCC, RCM, IFT, TRA, ETA, ANATEL, ENACOM, NTC |

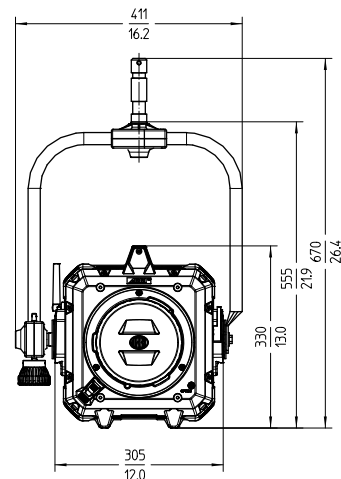
Alle Angaben sind nominal / typische Werte. Änderungen vorbehalten.



Scheinwerfer ohne Haltebügel



Scheinwerfer mit manuellem Haltebügel



Scheinwerfer mit stangenbedienbarem Haltebügel

Photometrische Daten

Voller Zugriff auf die photometrischen Eigenschaften aller ARRI Scheinwerfer mit der ARRI Photometrics App. Kostenlos im App Store und bei Google Play.

| | 1 m | | 3 m | | 5 m | | |
|------------------------------------------|------------|------------|-----------|-----------|----------|----------|-----|
| | HiCRI | HiOut | HiCRI | HiOut | HiCRI | HiOut | |
| | 15.900 lx | 16.100 lx | 1.780 lx | 1.800 lx | 640 lx | 645 lx | 60° |
| | 41.600 lx | 44.700 lx | 4.620 lx | 4.970 lx | 1.665 lx | 1.790 lx | 30° |
| | 130.000 lx | 138.000 lx | 14.445 lx | 15.330 lx | 5.200 lx | 5.520 lx | 15° |
| | 12.082 fc | 12.825 fc | 1.342 fc | 1.425 fc | 483 fc | 513 fc | |
| Orbiter mit Open-Face Optik ² | 3.866 fc | 4.154 fc | 430 fc | 462 fc | 155 fc | 166 fc | 30° |
| | 1.485 fc | 1.490 fc | 164 fc | 167 fc | 59 fc | 60 fc | 60° |

| | 1 m | | 3 m | | 5 m | | |
|------------------------------------------|------------|------------|-----------|-----------|----------|----------|-----|
| | HiCRI | HiOut | HiCRI | HiOut | HiCRI | HiOut | |
| | 20.000 lx | 21.000 lx | 2.220 lx | 2.333 lx | 800 lx | 840 lx | 60° |
| | 54.900 lx | 58.000 lx | 6.100 lx | 6.445 lx | 2.195 lx | 2.320 lx | 30° |
| | 162.000 lx | 178.000 lx | 18.000 lx | 19.780 lx | 6.480 lx | 7.120 lx | 15° |
| | 15.056 fc | 16.543 fc | 1.673 fc | 1.838 fc | 602 fc | 662 fc | |
| Orbiter mit Open-Face Optik ² | 5.102 fc | 5.390 fc | 567 fc | 599 fc | 204 fc | 216 fc | 30° |
| | 1.859 fc | 1.952 fc | 206 fc | 217 fc | 74 fc | 78 fc | 60° |

1 Marke: LumenRadio AB, Geräte: CRMX TiMo, Modell: 200-1502, Produkt: Orbiter 2.4G Wireless Control Module, Frequenzbereich: 2402 - 2480 MHz, Betriebsfrequenz: 2402 - 2480 MHz, Ausgangsleistung: 17.51 dBm, Anzahl der Kanäle: 79, Kanalabstände: 1 MHz, Modulationsart: GFSK

2 Nur 30° Open-Face Optik abgebildet.

1 Fixture Color

Blue/Silver



L1.0033520
Orbiter without Yoke, Cable, etc.*

Black



L1.0033521
Orbiter black without Yoke, Cable, etc.*

*Each version includes a RF Antenna and Protection Cap.

2 Yoke Type

MAN



L2.0034025
Manual Yoke*

P.O.



L2.0036642
P.O. Yoke*

*Each version includes a 28 mm Junior Pin.

3 Power Cables

Mains Cables



powerCON TRUE1 Top (MAN) with Inline Switch & Mains Connector
L2.0024627 Bare Ends (3 m / 9.8 ft.)
L2.0001486 Schuko (3 m / 9.8 ft.)
L2.0001487 Edison (7 m / 23.0 ft.)
L2.0003678 Chinese (3 m / 9.8 ft.)
L2.0008904 Japanese (3 m / 9.8 ft.)

Daisy Chain Cables



powerCON TRUE1 Top
L2.0010633 CE (3 m / 9.8 ft.)
L2.0012548 UL (3 m / 9.8 ft.)
L2.0012663 Japan (3 m / 9.8 ft.)

powerCON TRUE1 Top (P.O.) without Inline Switch & Mains Connector
L2.0001485 Bare Ends (1,5 m / 4.9 ft.)

4 Control

Incl. Control Panel



L2.0033732 Control Panel*

Without Control Panel



DMX/Network Control ONLY!

L2.0033799 Cable for Control Panel (5 m / 16.4 ft.)
L2.0033800 Cable for Control Panel (15 m / 49.2 ft.)

*The Control Panel comes with Carrying Pouch, Lanyard and D-Ring. The Cable needs to be purchased separately.

5 Optics, Domes and Softboxess

Open Faces



L2.0033542 Open Face 60°
L2.0033541 Open Face 30°
L2.0033540 Open Face 15°
L2.0041133 Orbiter Open Face Kit

Fresnel



L2.0039436 Fresnel Lens 15°-65°

Projections



L2.0033549 Orbiter Projection Optic 25°
L2.0033550 Orbiter Projection Optic 35°

Glass Cover



L2.0039439 Glass Cover

Domes



L2.0039438 Dome Mini
L2.0034266 DoPchoice Dome S
L2.0034267 DoPchoice Dome M
L2.0034268 DoPchoice Dome L
L2.0034621 Chimera Dome M
L2.0034622 Chimera Dome L

Bag-o-Light



L2.0039437 Bag-o-Light

Softboxes



L2.0033840 DoPchoice SNAPBAG® S
L2.0034270 DoPchoice SNAPBAG® M
L2.0034269 DoPchoice Octa 4
L2.0033839 Chimera Lightbank S
L2.0036058 Chimera Lightbank M
L2.0034271 Chimera Octa 4

6 Accessories for Optics

For Open Face, Fresnel and Projection



Barndoors for Open Face 30° / 60° & Projection 25° / 35°
L2.79470.0 4-leaf barndoor (168 mm / 6.6")
L2.79500.0 8-leaf barndoor (168 mm / 6.6")
Barndoors for Open Face 15°
L2.39870.0 4-leaf barndoor (245 mm / 9.7") TRUE BLUE
L2.39900.0 8-leaf barndoor (245 mm / 9.7") TRUE BLUE
Barndoors for Fresnel 15-65°
L2.40950.0 4-leaf barndoor (344 mm / 13.5") TRUE BLUE
L2.40960.0 8-leaf barndoor (344 mm / 13.5") TRUE BLUE
Other
L2.79480.0 Snoot for Open Face 30° / 60°
L2.79880.0 Snoot for Open Face 15°
L2.0033841 Snoot for Projection 25°/35°
L2.0033843 Gobo Holder for Projection 25°/35°

For Softboxes



DoPchoice SNAPGRIDS® for SNAPBAGS®
L2.0038793 SNAPGRID® S 40°
L2.0038791 SNAPGRID® M 40°
L2.0020275 SNAPGRID® 40° for Octa 4

For third-party Optics



L2.0039421
Orbiter Docking Ring

Grid for Chimera
L2.0041050 EZ POP Soft Egg Crate 50 for Chimera Octa 4

Eyelights for DoPchoice Octa 4
L2.0035809 Eyelight Baffle
L2.0035808 Eyelight Magic Cloth
L2.0035807 Eyelight 1/4 Grid

7 Transport

Case



L2.0034626 Orbiter Case*

Bag



L2.0034624 Bag for Orbiter Open Face Optics**



L2.0033796 Control Panel Carrying Pouch

*Offers space for Orbiter, Yoke, Antenna, Control Panel, Protective Cap, Cables, Barndoors, Rain Cover and Skid

** Offers space for 15°, 30°, 60° Open Face Optics and Protective Cap

8 Miscellaneous

Grip & Mounting



L2.0034272 Skid Silver
L2.0039329 Skid Black



L2.0038027 Mini Variable Friction Arm



L2.8803652 Super Clamp

Protection & Safety



L2.0037805 Rain Cover

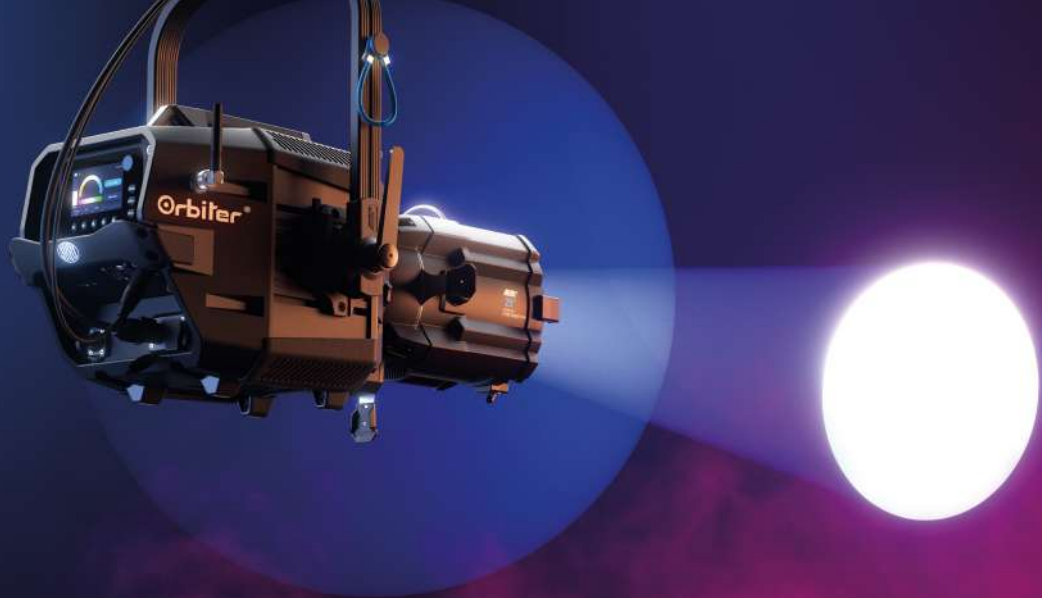


L2.0034273 Protection Cap



L2.0008899 Safety Cable (3 mm)
L2.0020919 Safety Cable (4 mm)
L2.0007590 Safety Cable (5 mm)

ARRI®



Accessories Guide

Orbiter® 

Orbiter accessories guide

Table of contents

Lamphead control

| | |
|-----------------------|---|
| Stellar | 4 |
| Orbiter Control Panel | 6 |

Optics

| | |
|-------------------|----|
| Fresnel Lens | 8 |
| Projection Optics | 10 |
| Open Face Optics | 12 |
| Open Face Kit | 14 |
| Glass Cover | 15 |
| Docking Ring | 16 |

Domes

| | |
|-----------------|----|
| Chimera Domes | 18 |
| DoPchoice Domes | 20 |
| Dome Mini | 22 |

Softboxes

| | |
|----------------------------------------------|----|
| Orbiter Bag-o-Light | 24 |
| Chimera Lightbanks | 26 |
| DoPchoice SNAPBAGS® | 28 |
| DoPchoice SNAPGRIDS® | 30 |
| Chimera Octagon | 32 |
| EZ POP Soft Egg Crate 50° for Chimera Octa 4 | 33 |
| DoPchoice Octagon | 34 |
| DoPchoice SNAPGRID® 40° for Octa 4 | 35 |
| DoPchoice Eyelights for Octa 4 | 36 |

Light control

| | |
|-----------------------------------|----|
| 4-leaf barndoors | 38 |
| 8-leaf barndoors | 39 |
| Snoots for Open Face Optics | 40 |
| Snoot for Projection Optics | 41 |
| Gobo Holder for Projection Optics | 42 |

Grip & mounting

| | |
|----------------------------|----|
| Yokes | 44 |
| Mini Variable Friction Arm | 46 |
| Super Clamp without Stud | 47 |
| Skids | 48 |

Cables

| | |
|----------------------|----|
| Mains cables | 50 |
| Daisy Chain cables | 52 |
| Control Panel cables | 54 |

Cases & bags

| | |
|------------------------------|----|
| Bag for Orbiter Optics | 56 |
| Control Panel carrying pouch | 57 |
| Orbiter Case | 58 |

Protection & safety

| | |
|----------------|----|
| Protection Cap | 60 |
| Rain Cover | 61 |
| Safety cable | 62 |

Miscellaneous

| | |
|--------------------|----|
| 90° Angled Antenna | 63 |
|--------------------|----|

Ressources and contacts

| | |
|-----------------------|----|
| ARRI Sales contacts | 64 |
| ARRI Service contacts | 68 |
| Online resources | 70 |

Lamphead control



Stellar

Stellar - the lighting control app from ARRI - provides a smart and innovative way to control professional lighting and is available on iOS and Android phones and tablets. Stellar reimagines lighting control by automatically taking care of complex DMX settings and by featuring control interfaces with beautifully designed graphics. Coded intelligence and advanced communication make connecting ARRI Orbiter, SkyPanel, and L-Series fixtures to the app simple and straightforward. After using Stellar, it will be difficult to go back to controlling lights in any other way.



www.arri.com/stellar



- Control of ARRI and third party fixtures
- Manually add fixtures
- Swap out fixtures
- Grouping fixtures with different CCT ranges
- Share, Sync and backup your work
- Brings gels to the L-Series
- Intuitive and well designed user interface
- Light plot fixture selection
- Auto layout and discovery of fixtures
- Available on iOS and Android

Lamphead control



Orbiter Control Panel

The Orbiter control panel has a 4" full-color display, quick navigation buttons, and integrated sensors. This way, the Orbiter control panel allows for easy use with a graphic user interface. Simplified menu structure and reimagined user interfaces provide one-glance operational views and uncluttered screens. This intuitive design makes changing colors or finding a setting easier than ever before. In addition, the control panel is removable and can be used handheld with the aid of a control panel cable.

- Size: ~155 x 101 x 34 mm / 6.1 x 4.0 x 1.3 in
- Weight: ~0,4 kg / 0.8 lbs
- Optional Orbiter control panel cable 5 m / 16.4 ft. or 15 m / 49.2 ft.
- Includes carrying pouch, lanyard & D-ring

L2.0033732 Orbiter Control Panel



The carrying pouch comes with the purchase of each control panel. It can also be purchased separately.

L2.0033796 Control Panel Carrying Pouch



The control panel cable is not included in the control panel. It must be purchased separately.

L2.0033799 Cable for Control Panel, 5 m / 16.4 ft.

L2.0033800 Cable for Control Panel, 15 m / 49.2 ft.

Fresnel Lens



Fresnel Lens 15-65°

Creating a precise light spot with a soft single shadow, the Orbiter Fresnel lens delivers true Fresnel output with a real Gaussian diffusion. The large zoom range of 15 to 65° is fully motorized and can be precisely positioned while being controlled locally via Orbiter's Control Panel or remotely by DMX/RDM or IP based (ArtNet or sACN).

ARRI accessories like the 4- and 8-leaf barndoors can be added to the new Orbiter Fresnel lens to enable a perfect cut.

- Size: ~340 x 380 x 370 mm / 13.4 x 15 x 14.6 in
- Weight: ~4.5 kg / 9.5 lbs
- Lens diameter: 285 mm (11.2 in)
- Accessory slot sizes: 344 mm & 330 mm / 13.5 in and 13.0 in
- Fits 4-leaf & 8-leaf barndoors
- Large and fully motorized zoom range of 15-65°
- Zoom range can be controlled locally via Orbiter's Control Panel or remotely with DMX/RDM or IP based (ArtNet or sACN)
- A status LED display shows the current zoom angle
- The display backlight can be adjusted

L2.0039436 Orbiter Fresnel Lens 15-65°



Projection Optics

The Orbiter Projection Optics provide unparalleled precision in every detail allowing for crisp projection of a light spot, as well as immaculate gobo projection and precise shutter cuts. The field of light is entirely even and without color aberration. The projection has no visible hot spot or drop to the edge and the depth of field is outstanding. Both optics have a standard iris slot. The four manually adjustable shutter blades of the Projection Optics 25° and 35° produce a beam where any shutter blade cut, and the beam's edge are simultaneously in sharp focus. Orbiter's QLM allows the optics to be mounted safely and quickly onto the Orbiter but still enabling a 90° rotation. It is perfectly suited for theaters, cinematic applications, as well as broadcast studios or live productions.

L2.0033549 Orbiter Projection Optic 25°

L2.0033550 Orbiter Projection Optic 35°

- Motorized focus adjustment which can be controlled locally or remotely
- Standard B-size metal or glass gobo can be added via dedicated Goboholder
- Specific snoot for Projection Optics to eliminate spill light
- Fits 4-leaf & 8-leaf barndoors
- Accessory slot size: 168 mm / 6.6 in

Projection Optic 25°

- Size: ~287 mm x 287 mm x 331 mm / 11.3 x 11.3 x 13.1 in
- Weight: ~5,45 kg / 12 lbs

Projection Optic 35°

- Size: ~287 mm x 287 mm x 284 mm / 11.3 x 11.3 x 11.2 in
- Weight: ~4,35 kg / 9,6 lbs

Open Face Optics

The Open Face Optics produce a high-output, directional beam of light in several different beam angles including 15°, 30°, and 60°. They are perfect for throwing light long distances or providing a broad swath of light. The accessory slot can be used with modifiers such as barndoors or snoots.



L2.0033540 Orbiter Open Face Optic 15°

L2.0033541 Orbiter Open Face Optic 30°

L2.0033542 Orbiter Open Face Optic 60°

- Provides powerful, uniform beam of light
- Fits 4-leaf & 8-leaf barndoors and snoots
- Ships in foam insert that can be re-used for safe transportation and storage

Open Face 15°

- Size: ~265 x 297 x 375 mm / 10.4 x 11.7 x 14.8 in
- Weight: ~2,1 kg / 4.5 lbs
- Accessory slot size: 245 mm / 9.7 in

Open Face 30°

- Size: ~186 x 208 x 157 mm / 7.3 x 8.2 x 6.2 in
- Weight: ~0,9 kg / 1.9 lbs
- Accessory slot size: 168 mm / 6.6 in

Open Face 60°

- Size: ~186 x 208 x 87 mm / 7.3 x 8.2 x 3.4 in
- Weight: ~0,6 kg / 1.4 lbs
- Accessory slot sizes: 168 mm / 6.6 in

Open Face Optics



Orbiter Open Face Kit

The Open Face Kit for Orbiter is a convenient way to complete your set of Orbiter optics. The kit is lightweight and includes a 15°, 30° and 60° Open Face optic. The optics are packed in a robust bag with reinforced corners, all around-velcro fastenings and adjustable shoulder strap. With the customized foam inlay all parts are perfectly organized, well protected, and ready to go.

- Size: ~75 x 40 x 35 cm / 29.5 x 15.8 x 14.2 in
- Weight: ~8 kg / 17.6 lbs
- Kit incl. bag, 15°, 30° & 60° Open Face Optics for Orbiter
- Robust soft bag with customized foam inlay for Orbiter Open Face optics
- Lightweight, compact & ready to go

L2.0041133 Orbiter Open Face Kit

More Orbiter optics

Glass Cover



The Orbiter Glass Cover is a small, compact, and lightweight optical accessory for the Orbiter. With its ultra-translucent glass, the Glass Cover allows for full, unrestricted light output without impacting color temperature or quality. It is ideal for near distance applications with limited available space where much light is needed. Orbiter's QLM allows for the optic to be mounted effortlessly.

- Size: ~157 x 162 x 34 mm / 6.2 x 6.4 x 1.3 in
- Weight: ~0,4 kg / 0.9 lbs
- Very minimal output loss
- 80° beam angle and single hard shadow
- Simultaneous protection of the Orbiter's light engine (can be used instead of transport cap cover)

L2.0039439 Orbiter Glass Cover

For third-party optics

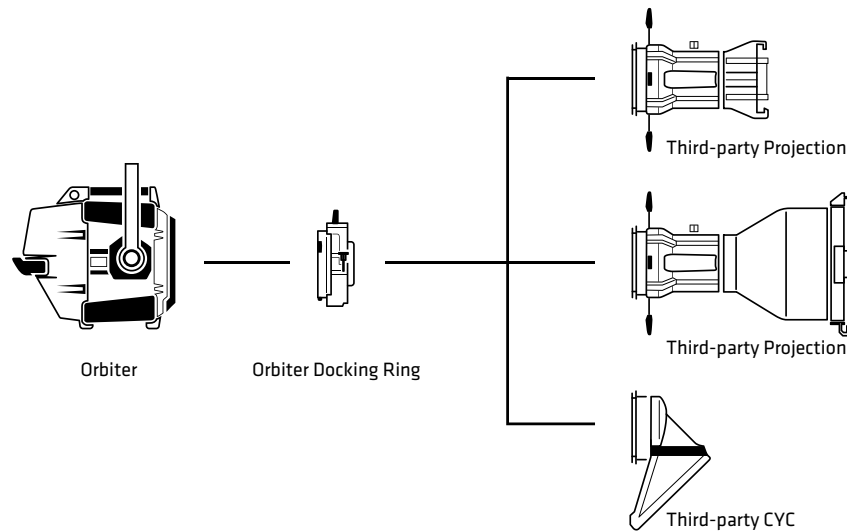


Orbiter Docking Ring

With the Docking Ring, optics from other manufacturers can be mounted onto the Orbiter while still benefiting from ARRI lighting quality. This adapter attaches effortlessly and without need for any additional tools directly into the Quick Lighting Mount (QLM) of every Orbiter and is automatically recognized by the luminaire. Light output is automatically adjusted for optimal performance. The operation of third-party optics is safe due to the built-in automatic and low-noise cooling fan.

- Size: ~246 x 225 x 86 mm / 9.7 x 8.9 x 3.4 in
- Weight: ~1 kg / 2.2 lbs
- Allows the attachment of third-party optics
- Built-in low-noise cooling system

L2.0039421 Orbiter Docking Ring





Chimera Domes

L2.0034621 Chimera Dome M



L2.0034622 Chimera Dome L

The dome optics for Orbiter by Chimera are fabric spheres available in two different sizes. They easily attach to the front of the Orbiter and form a lantern shape. The speed ring is specially made to fit the Quick Lighting Mount (QLM) and allows the lightweight domes to be connected to Orbiter. The dome emits omni-directional light, great for illuminating a large area with a beautiful, soft quality of light

- Available sizes:
 - M - approx. 50 cm / 20 in diameter
 - L - approx. 75 cm / 30 in diameter
- Provides omni-directional, soft light
- Lightweight and professional grade construction and materials
- Attaches to the Quick Lighting Mount (QLM) on Orbiter
- Contains digital optics identification
- Includes lantern, QLM speed ring, skirt set, and storage bag



DoPchoice Domes

L2.0034266 DoPchoice Dome S

L2.0034267 DoPchoice Dome M

L2.0034268 DoPchoice Dome L

The dome optics for Orbiter by DoPchoice are fabric spheres available in three different sizes. They easily attach to the front of the Orbiter and form a balloon shape. The Quick Lighting Mount (QLM) adapter is pre-installed and the domes setup with one simple action. The domes emit omni-directional light, great for illuminating a large area with a beautiful, soft quality of light.

- Available sizes:
 - S - approx. 30 cm / 12 in diameter
 - M - approx. 50 cm / 20 in diameter
 - L - approx. 100 cm / 39 in diameter
- Provides omni-directional, soft light
- Advanced design for fast setup
- Attaches to the Quick Lighting Mount (QLM) on Orbiter
- Contains digital optics identification
- Includes dome, skirts, and storage sack



Dome Mini

The Orbiter Dome Mini provides great quality omnidirectional light at a high intensity. Compared to the Dome optic, the Dome Mini is a compact version; smaller and therefore lighter. The highly translucent material keeps the light output loss to a minimum compared to the usually larger, cloth-based domes. The QLM (Quick Lighting Mount) in Orbiter allows the quick and easy mount of the Dome Mini. The light it produces is great for near distance applications with limited available space.

- Size: ~157 x 162 x 118 mm / 6.2 x 6.4 x 3.7 in
- Weight: ~0,4 kg / 0.9 lbs
- Produces great-quality omnidirectional light with single soft shadow
- Output loss is kept to a minimum
- Maintains IP24 protection rating of the Orbiter

L2.0039438 Orbiter Dome Mini

Bag-o-Light



Orbiter Bag-o-Light

The Orbiter Bag-o-Light by Licht-Technik is an ideal accessory for close-up applications in motion picture and photography where soft light with almost no shadows is required. This accessory, looking like a huge tube, transforms the light output from the standard 15° Open Face optic on the Orbiter into beautiful soft light. The Bag-o-Light is easily inflated by a standard pump (< 6000 Pa / 60 mbar - not included) or even by mouth and can be quickly mounted to the 15° Open Face optic (not included). It is lightweight at less than 0.86 kg / 1.89 lbs. and only needs little storage space when deflated.

L2.0039437 Orbiter Bag-o-Light

- Size: ~244 mm / 9.6 in diameter; 2 m / 78.7 in long
- Weight: ~0,9 kg / 1.9 lbs
- Delivers beautiful soft light for close-up applications
- Mounts easily and quickly without tools to the Orbiter's 15° Open Face optic
- Ready for use within ~1 minute
- Inflatable via a standard household pump or even by mouth
- Inflated Bag-o-Light system holds for several hours
- Noiseless
- Splashproof
- Pump and Open Face Optic are not included



Chimera Lightbanks

L2.0033839 Chimera Lightbank S



L2.0036058 Chimera Lightbank M

The Lightbanks for Orbiter by Chimera are professional grade softboxes available in two different sizes. With easy attachment and no additional optical elements needed, the lightbanks allow for a controlled soft light with amazing output. The speed ring creates a direct mounting point between the softbox and Orbiter Quick Lighting Mount (QLM). The lightbanks create a large aperture with beautiful soft light.

- Available sizes:
 - S - approx. 80 x 60 cm / 32 x 24 in, 45 cm / 18 in deep
 - M - approx. 120 x 90 cm / 48 x 36 in, 60 cm / 24 in deep
- Provides controlled soft light and amazing output
- Lightweight and professional grade construction and materials
- Attaches to the Quick Lighting Mount (QLM) on Orbiter
- Contains digital optics identification
- Includes light bank, full & half Chimera cloth front screens, inner baffle, QLM speed ring & storage bag



DoPchoice SNAPBAGS®

L2.0033840 DoPchoice SNAPBAG® S



L2.0034270 DoPchoice SNAPBAG® M

The SNAPBAGS® by DoPchoice create a large aperture with beautiful soft light and attach directly to the front of Orbiter and are available in two different sizes. With easy attachment and no additional optical elements needed, the SNAPBAGS® allow for a controlled soft light with amazing output. The Quick Lighting Mount (QLM) adapter and four Rabbit-Ears are pre-assembled and thus the SNAPBAGS® are setup very quick.

- Available sizes:
 - S - approx. 80 x 60 cm / 30 x 24 in, 50 cm / 19 in deep
 - M - approx. 120 x 85 cm / 46 x 33 in, 80 cm / 31 in deep
- Provides controlled soft light and amazing output
- Professional grade construction for fast setup
- Attaches to the Quick Lighting Mount (QLM) on Orbiter
- Contains digital optics identification
- Includes SnapBag with circular Rabbit-Ears, magic cloth, storage sack

Softboxes



DoPchoice SNAPGRID® S 40°

The small 40° SNAPGRID® by DoPchoice attaches directly to the front of small DoPchoice SNAPBAGS®, incl. the SNAPBAG® S for Orbiter. In addition it fits the Chimera Lightbank for S30 and the Chimera POP Bank for S60. The SNAPGRID® provides directional light control and easily folds away for storage.

- Approx. 75 x 54 x 8 cm / 30 x 21 x 3 in
- Fits DoPchoice SNAPBAG® S for Orbiter, Chimera Lightbank for S30, and Chimera POP Bank for S60
- Half Peak Angle: 40°
- No mounting hardware required
- Incl. carrying bag

L2.0038793 DoPchoice SNAPGRID® S 40°



DoPchoice SNAPGRID® M 40°

The medium 40° SNAPGRID® by DoPchoice attaches directly to the front of medium DoPchoice SNAPBAGS®, incl. the SNAPBAG® M for Orbiter. The SNAPGRID® provides directional light control and easily folds away for storage.

- Approx. 111 x 82 x 8 cm / 44 x 32 x 3 in
- Fits DoPchoice SNAPBAG® M for Orbiter
- Half Peak Angle: 40°
- No mounting hardware required
- Incl. carrying bag

L2.0038791 DoPchoice SNAPGRID® M 40°

Octagon



Chimera Octagon

The Chimera Octa 4 for Orbiter uses a large aperture to generate extremely soft, yet bright light. The speed ring creates a direct mounting point between the Chimera Octagon and Orbiter. It holds Orbiter directly in the center of a 4 ft. diameter octagon shaped light bank. The Chimera Octa is perfect for beauty shots.

- Approx. 135 cm / 53 in diameter, 75 cm / 29 in deep
- Bright and super soft
- Lightweight and professional grade construction and materials
- Attaches to the Quick Lighting Mount (QLM) on Orbiter
- Contains digital optics identification
- Includes light bank, full and half Chimera cloth front screens, inner baffle, QLM speed ring & storage bag

L2.0034271 Chimera Octa 4



EZ POP Soft Egg Crate 50° for Chimera Octa 4

The soft egg crate from Lighttools attaches to the front of the Chimera Octa 4 for Orbiter and provides directional light control. With a built-in tensioning frame the soft egg crate is kept taut and in perfect formation regardless of how your softbox is angled. It easily folds away for storage.

- Provides directional light control
- Fits Chimera Octa 4 for Orbiter
- Approx. 50° half peak angle (HPA)
- No mounting hardware required

L2.0041050 EZ POP Soft Egg Crate 50° for Chimera Octa 4

Octagon



DoPchoice Octagon

The DoPchoice Octa 4 for Orbiter uses a large aperture to generate extremely soft, yet bright light. The Quick Lighting Mount (QLM) adapter and eight Rabbit-Ears are pre-assembled and directly fixed on the octagon. It holds Orbiter directly in the center of a 4 ft. diameter octagon shaped softbox. The DoPchoice Octa is perfect for beauty shots.

- Approx. 120 cm / 47 in diameter, 75 cm / 30 in deep
- Bright and super soft
- Professional grade construction for fast setup
- Attaches to the Quick Lighting Mount (QLM) on Orbiter
- Contains digital optics identification
- Includes circular Rabbit-Ears, magic cloth, 3D baffle & storage sack

L2.0034269 DoPchoice Octa 4 for Orbiter



DoPchoice SNAPGRID® 40° for Octa 4

The SNAPGRID® for the Octa 4 by DoPchoice attaches to the front of the Orbiter and SkyPanel Octa 4 and provides directional light control. The SNAPGRID® attaches to the DoPchoice Octa 4 and easily folds away for storage.

- Provides directional light control
- Approx. 40° half peak angle (HPA)
- No mounting hardware required

L2.0020275 DoPchoice SNAPGRID® 40° for Octa 4

Octagon

**DoPchoice Eyelights for Octa 4**

L2.0035807 DoPchoice Octa 4 Eyelight 1/4 Grid



L2.0035808 DoPchoice Octa 4 Eyelight Magic Cloth



L2.0035809 DoPchoice Octa 4 Eyelight Baffle

The Eyelights for Octa 4 by DoPchoice replace the front diffusion of the DoPchoice octagon. They provide a distinct ring light effect in eyes for beauty or portrait shooting, while generating soft skin tones. The Eyelights are a perfect add-on for still photography lighting.

- 1/4 Grid Screen with 50 cm / 19.7 in black circle in center
- Magic Cloth Screen with 50 cm / 19.7 in black circle in center
- Baffle, black/soft silver, 60 cm / 23.6 in
- Great for still photography lighting

Octa 4 with SkyPanel depicted.

Barndoors



4-leaf barndoors

The 4-leaf barndoor allows for control of light spill and control of the beam. Different size optics require different size barndoors. Select the barndoor accordingly.

- Lightweight and rugged design
- 4-leaf design with ARRI standard
 - 168 mm / 6.6" diameter for Open Face 30° / 60°, Projection 25° / 35°
 - 245 mm / 9.7" diameter for Open Face 15°
 - 344 mm / 13.5" diameter for Fresnel 15-65°

| | |
|------------|-------------------------------------------|
| L2.79470.0 | 4-leaf barndoor (168 mm / 6.6") |
| L2.39870.0 | 4-leaf barndoor (245 mm / 9.7") True Blue |
| L2.40950.0 | 4-leaf barndoor (344 mm / 13.5") |



8-leaf barndoors

The 8-leaf barndoor allows for control of light spill and control of the beam. The 8-leaf design provides additional dimensions of control. Different size optics require different size barndoors. Select the barndoor accordingly.

- Lightweight and rugged design
- 8-leaf design with ARRI standard
 - 168 mm / 6.6" diameter for Open Face 30° / 60°, Projection 25° / 35°
 - 245 mm / 9.7" diameter for Open Face 15°
 - 344 mm / 13.5" diameter for Fresnel 15-65°

| | |
|------------|-------------------------------------------|
| L2.79500.0 | 8-leaf barndoor (168 mm / 6.6") |
| L2.39900.0 | 8-leaf barndoor (245 mm / 9.7") True Blue |
| L2.40960.0 | 8-leaf barndoor (344 mm / 13.5") |

Snoots



Snoots for Open Face Optics

The funnel-shaped snoot has a variable aperture narrowing the beam into soft-edged circles and minimizing spill light. The inside is provided with a matt, non-reflecting surface

- 168 mm / 6.6 in for 30° and 60° Open Face Optics
- 245 mm / 9.7 in for 15° Open Face Optics
- Robust design
- Projects a circular shape
- Variable aperture for different beam spreads
- Slides into accessory slot of the Open Face Optics

L2.79480.0 Snoot (168 mm / 6.6")

L2.79880.0 Snoot (245 mm / 9.7")

Snoot for Projection Optics

The Cylinder-shaped snoot has a fixed aperture eliminating the spill light of the Projection Optics without narrowing the beam angle. The inside is provided with a matt, non-reflecting surface.

- 168 mm / 6.6 in for 25° & 35° Projection Optics
- Robust design
- Eliminates spill light
- Slides into accessory slot of the Projection Optics

L2.0033841 Snoot for Orbiter Projection Optic 25°/35°

Gobo Holder

Gobo Holder for Projection Optics

A standard B-size metal or glass gobo can be added to the Orbiter Projection Optic 25° and 35° via the dedicated Gobo Holder.

L2.0033843 Gobo Holder for Orbiter Projection Optic 25° / 35°

Yokes



Yokes

L2.0034025 Orbiter Manual Yoke

L2.0036642 Orbiter P.O. Yoke

The yokes for Orbiter come with a newly developed release system that allows for quick change from a manual version lamphead to a pole operated version. The 28 mm spigot (Junior pin) is already mounted on the yoke. No tools needed for setting up Orbiter.

Manual yoke made of high strength aluminum profile

- Size: ~451 x 553 x 77 mm / 17.8 x 21.8 x 3.0 in
- Weight: ~2,5 kg / 5.6 lbs

Steel yoke for pole operation (pan, tilt)

- Size: ~411 x 593 x 118 mm / 16.2 x 23.3 x 4.6 in
- Weight: ~3,2 kg / 7.0 lbs

Arm



Mini Variable Friction Arm

Constructed from lightweight, strong aluminum this professional variable friction arm is both flexible and versatile. It is designed to match with a whole array of standard size 1/4" and 3/8" attachments. With this variable friction arm, you will enjoy full, fuss-free range of movement. In combination with the super clamp this friction arm is the perfect complement for attaching the Orbiter control panel to a great variety of surfaces while keeping it organized and flexible.

- Professional variable friction arm by Manfrotto
- Solid aluminium arm for maximum strength and durability
- Supports up to 3 kg / 6.6 lbs
- Includes two 6.4 mm / 1/4 in adapters & one 9.5 mm / 3/8 in adapter

L2.0038027 Mini Variable Friction Arm

Clamp



Super Clamp without Stud

The multipurpose clamp is a versatile, professional standard and superior quality clamp for a whole range of applications. The compact and lightweight clamp can hold onto just about anything, including round and square surfaces. Mounting options include M5 & 1/4" threads for limitless mounting options. In combination with the mini variable friction arm this super clamp is the perfect complement for attaching the Orbiter control panel to a great variety of surfaces while keeping it organized and flexible.

- High quality and versatile clamp by Manfrotto
- Can clamp onto a variety of round and square surfaces
- Supports up to 15 kg / 33 lbs
- Incl. M5 & 1/4 in threads

L2.8803652 Super Clamp Adapter

Skids



Orbiter Skids

The skid can be mounted easily to Orbiter replacing the feet. Equipped with the skid Orbiter is perfectly prepared for heavy duty daily work in rough environments. It is ideal for transport on trolleys or for storage in compartments on trucks.

- Size: ~380 x 260 x 36 mm / 15.0 x 10.2 x 1.4 in
- Weight: ~1 kg / 1.9 lbs
- Pipe diameter: 20 mm / 0.79 in
- Made of durable powder-coated steel
- Silver or black version available
- Replaces Orbiter feet

| | |
|------------|---------------------|
| L2.0034272 | Orbiter Skid Silver |
| L2.0039329 | Orbiter Skid Black |



Mains cable, powerCON TRUE1 TOP

The mains cables connect Orbiter to a mains power outlet (100-240 V~, 50/60 Hz).

- powerCON TRUE1 TOP connector
- Line switch (except Bare Ends cable)
- Lengths: 1.5 m, 3 m and 7 m / 4.9 ft., 9.8 ft. and 23.0 ft. available
- Rubber insulated cable H07RN-F 3G1,5, EN (Bare Ends, Schuko, Chinese)
- Rubber insulated cable HVCTF 3x2,0, PSE (Japanese)
- Rubber insulated cable SJO(OW) 3x14AWG, UL (Edison)

| | |
|------------|------------------------------------------------------------------------------|
| L2.0001485 | Mains cable, 1.5 m / 4.9 ft., powerCON TRUE1 TOP / Bare Ends |
| L2.0024627 | Mains cable, 3 m / 9.8 ft., powerCON TRUE1 TOP / Bare Ends, with line switch |
| L2.0001486 | Mains cable, 3 m / 9.8 ft., powerCON TRUE1 TOP / Schuko, with line switch |
| L2.0003678 | Mains cable, 3 m / 9.8 ft., powerCON TRUE1 TOP / Chinese, with line switch |
| L2.0008904 | Mains cable, 3 m / 9.8 ft., powerCON TRUE1 TOP / Japanese, with line switch |
| L2.0001487 | Mains cable, 7 m / 23.0 ft., powerCON TRUE1 TOP / Edison, with line switch |



Daisy Chain cable, powerCON TRUE1 TOP

The daisy chain cable allows for Orbiter to Orbiter mains power connection. Orbiter is thereby able to pass AC power through to another powerCON device.

- Male to female powerCON TRUE1 TOP connector
- 3 m / 9.8 ft. in length
- 16 A max. current
- Rubber insulated cable H07RN-F 3G1,5, EN
(Bare Ends, Schuko, Chinese)
- Rubber insulated cable SJO(OW) 3x14AWG, UL (Edison)
- Rubber insulated cable HVCTF 3x2,0, PSE (Japanese)

L2.0010633 Daisy Chain cable, 3 m / 9.8 ft.,
powerCON TRUE1 TOP / CE

L2.0012548 Daisy Chain cable, 3 m / 9.8 ft.,
powerCON TRUE1 TOP / UL

L2.0012663 Daisy Chain cable, 3 m / 9.8 ft.,
powerCON TRUE1 TOP / Japan



Control Panel cable

The Control Panel cable allows for the remote usage of the Control Panel. Simply pop out the Control Panel from Orbiter, connect the cable, and pick up right where you left off. The cable comes in two different lengths.

- Comes in 5 m / 16.4 ft. or 15 m / 49.2 ft. lengths
- High quality cable for tough locations
- 4-pin LEMO locking connectors

L2.0033799 Cable for Control Panel, 5 m / 16.4 ft.

L2.0033800 Cable for Control Panel, 15 m / 49.2 ft.

Bags & kits



Bag for Orbiter Optics

The soft bag for Orbiter provides protection and easy transportation of the three different open face optics and smaller softboxes. The foam inlay is customized and keeps the 15°, 30° and 60° Open Face Optics organized and protected as well as the Protection Cap. This robust bag is made of fabric and reinforced on all corners.

- Size: ~ 75 x 40 x 35 cm / 29.5 x 15.8 x 14.2"
- All-around velcro fastenings
- Holds Orbiter Open Face Optics 15°, 30° & 60° and Protection Cap
- Adjustable shoulder strap and handles

L2.0034624 Bag for Orbiter Optics*

*Product comes without Open Face Optics.



Control Panel carrying pouch

The carrying pouch provides protection and storage for the control panel when not in use. It comes with the purchase of each Orbiter control panel but can also be purchased separately.

- Size: ~18 x 12 x 6 cm / 7.1 x 4.7 x 2.4 in
- Weight: ~0,9 kg / 2.0 lbs
- Robust soft bag
- Holds control panel for Orbiter
- Cover flap with velcro fasteners
- Loop for attachment to a belt

L2.0033796 Control Panel Carrying Pouch



Orbiter Case

The plastic molded case for Orbiter is robust, water and dust-resistant and perfect for transporting Orbiter without the risk of damage.

The customized foam inlay contains several compartments to keep all parts organized and protected. The case provides space for one Orbiter with skid or feet mounted, with or without attached rain cover, the manual yoke incl. spigot, the control panel, one AC and one control panel cable, and two barndoors (4- or 8-leaf design) with 168 mm / 6.6" & 245 mm / 9.7" diameter.

L2.0034626 Orbiter Case*

*Case comes without Orbiter and accessories.

- Size: ~80 x 55 x 40 cm / 32.1 x 21.3 x 16.8 in
- Weight: ~14 kg / 30.9 lbs
- Water & dust proof
- Compartments to keep Orbiter and its parts organized & protected
- Wheels and handles for convenient mobility

Protection



Orbiter Protection Cap

The Orbiter Protection Cap protects the light engine of Orbiter during transportation. This cap comes with Orbiter, however a spare or replacement unit can be purchased. It is recommended to always use the protection cap during transportation of the fixture.

- Size: ~157 x 162 x 37 mm / 6.2 x 6.4 x 1.4 in
- Weight: ~0,3 kg / 0.6 lbs
- Protection cap locks into the Quick Lighting Mount (QLM) of Orbiter
- Contains digital optics identification
- Made of durable, high quality plastics

L2.0034273 Orbiter Protection Cap



Orbiter Rain Cover

The rain cover is built to last and protect the ports of Orbiter permanently. Its design nestles up against the back of the Orbiter. The two lateral velcro straps ensure a permanent secure fit. The cable routing allows the use of all existing interfaces.

- Size: ~268 x 280 x 150 mm / 10.6 x 11.0 x 5.9 in
- Weight: ~0,5 kg / 0.9 lbs
- Endurable transparent material
- Control Panel display fully visible
- Easy cable routing
- Makes Orbiter permanent IPx4, weatherproof

L2.0037805 Orbiter Rain Cover

Safety cable



Made of wire rope with a one-sided, captive, crimped-in chain quick-release fastener the safety cable will provide an extra level of safety once attached properly to Orbiter and Orbiter accessories. The safety cables are available in different length and diameters.

- D = 3 mm / 0.1 in, L = 0.6 m / 23.6 in, max. load 5 kg / 11.1 lbs
- D = 4 mm / 0.16 in, L = 1 m / 39.4 in, max. load 16 kg / 35.0 lbs
- D = 5 mm / 0.20 in, L = 1 m / 39.4 in, max. load 25 kg / 55.0 lbs
- One-sided, captive, crimped-in chain quick-release fastener

L2.0008899 Safety cable (3 mm)*

L2.0020919 Safety cable (4 mm)*

L2.0007590 Safety cable (5 mm)*

*These products are not available for the US market.

90° Angled Antenna



The antenna's design ensures maximal transmission and range. The rotatable position helps to find best radio performance depending on mounting and location.

- 2.4 GHz
- 2 dBi gain
- Homogeneous radiation pattern

L2.0036546 90° Angled Antenna

ARRI Sales contacts

Europe, Middle East, Africa, India

Arnold & Richter Cine Technik

GmbH & Co. Betriebs KG (Sales & Service)

Ernst-Augustin-Strasse 12, 12489 Berlin, Germany

sales-lighting@arri.de

Phone: +49 (0)30 678 233 0, Fax: +49 (0)30 678 233 99

ARRI Italia s.r.l. (Sales)

Via Fabio Filzi, 47, 20124 Milano (Mi), Italy

info@arri.it

ARRI CT France Sarl (Sales)

54 Rue René Boulanger, 75010 Paris, France

info@arrifrance.com

ARRI Middle East DMCC (Sales)

JBC3, Office No. 2405, P.O. BOX NO 336550

Jumeirah Lake Towers, Dubai,

United Arab Emirates

info@arrime.com

Phone: +9714 4229957, Fax: +9714 4397001

Americas

ARRI Brasil Ltda.

Avenida Ibirapuera, 2907 - Cj. 421 Indianópolis

04029-200 São Paulo - SP, Brazil

arribrasil@arri.com

Phone: +55 11 5041-9450

ARRI Inc. / West Coast & Mexico (Sales & Service)

3700 Vanowen Street, Burbank, CA 91505, USA

info@arri.com

Phone: +1 818 841 7070, Fax: +1 818 848 4028

ARRI Inc. / East Coast (Sales & Service)

617 Route 303, Blauvelt, NY 10913-1109, USA

info@arri.com

Phone: +1 845 353 1400, Fax: +1 845 425 1250

ARRI Inc. / Latin America (Sales)

888 E. Las Olas Blvd. Suite 702, Fort Lauderdale,

FL 33301, USA

ARRILatAm@arri.com

Phone: +1 954 666 6045

ARRI Canada Limited (Sales & Service)

1200 Aerowood Drive,

Unit 29 Mississauga, Ontario L4W 2S7

info@arri.com

Phone: +1 416 255 3335, Fax: +1 416 255 3399

Resources and contacts

ARRI Sales contacts

Asia

ARRI Hong Kong Limited (Sales & Service)

41/F, One Kowloon, 1 Wang Yuen Street
Kowloon Bay, Hong Kong
salesupport@arri.asia
Phone: +852 2571 6288, Fax : +852 2875 9181

ARRI China (Beijing) Co. Ltd. (Sales & Service)

Chaowai SOHO Tower C, 6/F, 0628/0656
Chaowai Dajie Yi 6, Beijing, China
store@arri.cn
Phone: +86 10 59009680, Fax : +86 10 59009679

ARRI Japan KK

Haneda Innovation City,
Zone K, Unit 210, 1-1-4, Haneda-kuko,
Ota-ku, Tokyo 144-0041, Japan
info@arri.jp
Phone: +81 3 6635 3750

ARRI Korea Ltd.

Kolon Digital Tower 1 (#1505-06),
25 Seongsuil-ro 4gil, Seongdong-gu,
Seoul 04781, Republic of Korea
info@arri.kr
Phone: +82 2 462 2888

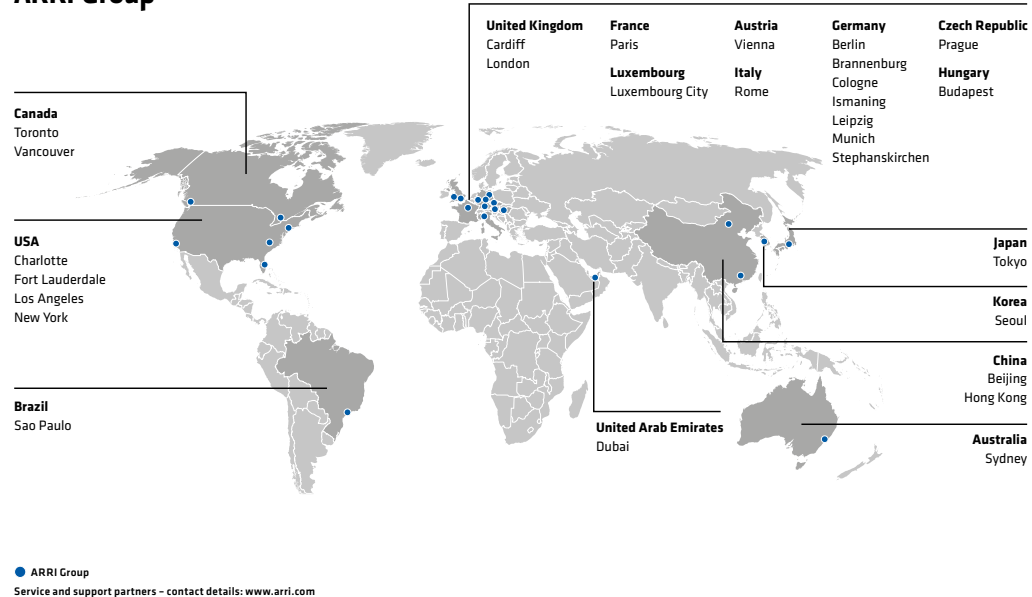
Australia / New Zealand**ARRI Australia Pty Ltd**

Suite 2, Building B, 12 Julius Avenue,
North Ryde, NSW 2113, Australia
info@arri.com.au
Phone: +61 2 9855 4300

ARRI Service contacts

| Zone | Availability | Service Center | E-Mail | Telephone Hotline |
|------|---------------------------------------------------------------------|--------------------------------------------------------------|---------------------------|-----------------------|
| 1 | Monday – Thursday: 8:00 – 16:00 (CET) Friday: 8:00 – 12:00 (CET) | Brannenburg, Germany Arnold & Richter Cine Technik | service-lighting@arri.de | +49 (0)89 206 046 611 |
| 2 | Monday – Friday: 09:00 – 17:30 (EST) | New York, USA ARRI Inc. East Coast | service-lighting@arri.com | +1 845 353 1400 |
| | Monday – Friday: 08:30 – 17:15 (PST) | Burbank, USA ARRI Inc. West Coast | service-lighting@arri.com | +1 818 841 7070 |
| 3 | Monday – Friday: 09:00 – 18:00 (HKT) | Hong Kong, China ARRI Hong Kong Limited | service@arri.asia | +852 2537 4266 |
| | Monday – Friday: 09:00 – 18:00 (CST) | Beijing, China ARRI China (Beijing) Co. Ltd. | service@arri.cn | +86 5900 9680 |
| | Monday – Friday: 08:00 – 17:00 (AEST) | Sydney, Australia ARRI Australia Pty Limited | service@arri.com.au | +61 2 9855 4300 |

ARRI Group



Online resources

Downloads

Orbiter data sheets, manuals and brochure

www.arri.com/orbiter/downloads

Software tools

LIOS Firmware

www.arri.com/lios

ARRI Lighting Service Manager

www.arri.com/lighting/alsm

Photometric Calculator App

www.arri.com/lighting/photometric

This ARRI Orbiter Accessories Guide (Ident. No. 80.0033504 / L03906) is published by Arnold & Richter Cine Technik, September 2022 © ARRI/2022. Technical data and offerings are subject to change without notice. All rights reserved. Without any warranty. Not binding 09/2022

ARRI, the ARRI logo, ARRIMAX, ARRISUN, EB, **LIOS**, L-Series, MAX Technology, M-Series, Orbiter, POCKETPAR, Quick Lighting Mount, QLM, True Blue, SkyPanel, SKYPANEL, Stellar, and T12 as well as the blue/silver color combination are registered trademarks of Arnold & Richter Cine Technik GmbH & Co. Betriebs KG.

Arnold & Richter Cine Technik GmbH & Co. Betriebs KG · Herbert-Bayer-Str. 10 · 80807 Munich · Germany
Tel +49 (0)89 3809 0 · Fax +49 (0)89 3809 1245 · www.arri.com

Orbiter[®]

ILLUMINATION | RESHAPED

Explore the Orbiter: www.arri.com/orbiter
Orbiter accessories: www.arri.com/orbiter-accessories