



Main Features

- Variety of optics and accessories
- ARRI Spectra six-color, wide gamut light engine
- Powerful output for maximal brightness and perfect colors
- Lighting Operating System (LiOS) with powerful software features
- User programmable quick buttons
- Integrated color sensor for matching ambient light
- Removable, intuitive Control Panel
- Full suite of connectors and sensors
- Perfected smooth dimming to zero
- Internal power supply, wireless DMX, & battery input

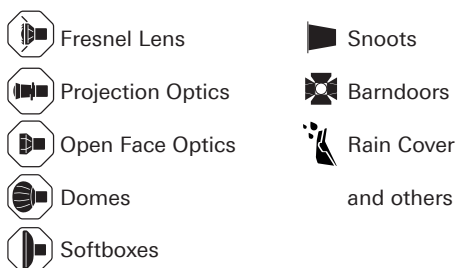
Orbiter[®]

Orbiter is an ultra-bright, tunable, and directional LED fixture from ARRI. All systems in Orbiter are completely new and designed with versatility in mind. Orbiter's new six-color light engine delivers a wide-color gamut and outstanding color rendition across all color temperatures along with industry-leading, smooth dimming from 100 to 0%. With its changeable optics, Orbiter can transform into many different types of lampheads including open face, soft light, domes, and many other possibilities. Orbiter is the most advanced luminaire ever created with exciting new technology packed into every fixture. Features such as a fast processor, ample memory, expanded connectivity, built-in array of sensors, weatherproof housing, and many more make Orbiter a formidable machine. Orbiter's state-of-the-art technology and versatile design makes it an optimal lamphead for today and for the future with endless possibilities for updates, configurations, and enhancements.

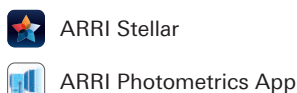
Changeable optics is the core innovation in Orbiter. With a wide variety of optics to choose from, Orbiter transforms into the perfect light for your application without sacrificing beam, output, or color quality. The Quick Lighting Mount (QLM) in Orbiter allows for optics with vastly different properties to be connected to the fixture.

Orbiter is an extremely bright and powerful, directional LED fixture with an output similar to that of the corresponding HMI systems. Orbiter's high, yet tunable, ARRI Spectra light engine output can create hard shadows with defined edges. This revolutionary light engine is 76 times smaller than the L10's light engine but produces the same power draw and greater output. A dense arrangement of over 200 LEDs gives Orbiter a point source-like aperture while maintaining full-color tunability with a new six-color LED mixture. Including a red, green, blue, amber, cyan, and lime LED, the ARRI Spectra six-color light engine translates into a wider color gamut, more accurate colors, and most importantly, higher color rendition across the entire CCT range. Skin tones look amazing and natural.

Accessories



Apps



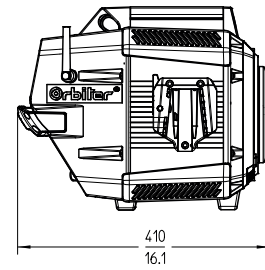
Configuration



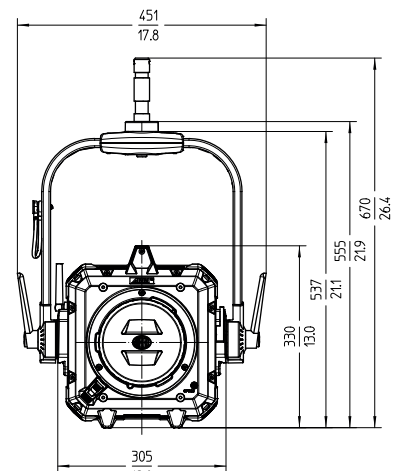
Specifications

Optical System	Changeable optics
Light Aperture	42 mm / 1,66", without optics
Beam Angle	80° half peak angle, without optics
Weight	Fixture only: 11,7 kg / 25.8 lbs With Manual Yoke: 14,2 kg / 31.3 lbs With Pole Operated Yoke: 14,9 kg / 32.9 lbs
Handling	Aluminum yoke with quick release, high strength tilt lock, pole operation option (pan and tilt)
Mounting	28 mm spigot (junior pin)
Tilt Angle	+/- 90° in dry location +75° / -90° in wet location with rain cover
Power Consumption	400 W nominal, 500 W maximum
Voltage Input Range	100 - 240 V~, 50 - 60 Hz
Mains Power Connection	powerCON TRUE1 TOP (Bare Ends / Schuko / Edison, Japanese, Chinese cables available)
DC Voltage Range	48 - 52 V _{DC}
Battery Connector	3-Pin XLR connector (Pin 1: negative, Pin 2: positive)
White Light	calibrated 2,000 K to 20,000 K continuously variable correlated color temperature
Color Modes	CCT, HSI, RGBACL, x/y coordinates, gel selection, source matching & color sensor plus: extended color control (ECC) for individual finetuning
Color Temperature Tolerance	3.200 to 5.600 K: +/- 100 K (nominal), +/- 1/8 Green-Magenta (nominal)
High Color Rendition Mode	3.200 to 5.600 K: CRI average > 98 TLCI average > 95 TM-30 average > 94
Green-Magenta Adjustment	Continuously adjustable between full minus-green to full plusgreen
Dimming	Smooth, 100 to 0 %, continuously, linear / exponential / logarithmic / "S" curve
Connectivity	Removable Control Panel via PoE, 5-Pin XLR in and through, EtherCON in and through, 2 x USB-A, USB-C, SD Card, sync input
Control Options	DMX 512 (8 & 16 bit), RDM E1.20, wireless control via LumenRadio CRMX ¹ (DMX & RDM), Art-Net, sACN, removable Control Panel, integrated webportal
Housing Color	Blue/silver, black
Ambient Temperature Operation	-20 to +45° C (-4 to +113° F)
Protection Class	I
IP Rating	IP 20 without Rain Cover IP 24 with Rain Cover L2.0037805
Estimated LED Lifetime (L70)	50,000 hours
Estimated Color Shift Over Lifetime (CCT)	+/- 5 %
Certifications & Declarations of conformity	CB, CE, UKCA, ENEC, cNRTLus, ICES, FCC, PSE, MIC, KC, SRRC, RCM, IFT, TRA, ETA, ANATEL, ENACOM, NTC

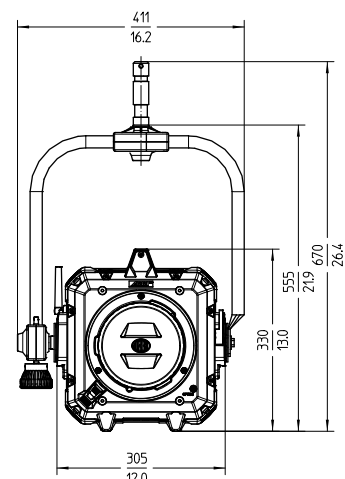
All specifications are typical values. Subject to change without notice.



Fixture only



with Manual Yoke



with Pole Operated Yoke

Photometrics

Download the ARRI Photometrics App or check ARRI.com/Orbiter for more detailed photometric performance data of the Orbiter & all its accessories.

	1 m / 3.3 ft		3 m / 9.8 ft		5 m / 16.4 ft		
	HiCRI	HiOut	HiCRI	HiOut	HiCRI	HiOut	
	15.900 lx	16.100 lx	1.780 lx	1.800 lx	640 lx	645 lx	60°
	41.600 lx	44.700 lx	4.620 lx	4.970 lx	1.665 lx	1.790 lx	30°
	130.000 lx	138.000 lx	14.445 lx	15.330 lx	5.200 lx	5.520 lx	15°
	12.082 fc	12.825 fc	1.342 fc	1.425 fc	483 fc	513 fc	
Orbiter with Open Face Optics ²	3.866 fc	4.154 fc	430 fc	462 fc	155 fc	166 fc	30°
	1.485 fc	1.490 fc	164 fc	167 fc	59 fc	60 fc	60°

	1 m / 3.3 ft		3 m / 9.8 ft		5 m / 16.4 ft		
	HiCRI	HiOut	HiCRI	HiOut	HiCRI	HiOut	
	20.000 lx	21.000 lx	2.220 lx	2.333 lx	800 lx	840 lx	60°
	54.900 lx	58.000 lx	6.100 lx	6.445 lx	2.195 lx	2.320 lx	30°
	162.000 lx	178.000 lx	18.000 lx	19.780 lx	6.480 lx	7.120 lx	15°
	15.056 fc	16.543 fc	1.673 fc	1.838 fc	602 fc	662 fc	
Orbiter with Open Face Optics ²	5.102 fc	5.390 fc	567 fc	599 fc	204 fc	216 fc	30°
	1.859 fc	1.952 fc	206 fc	217 fc	74 fc	78 fc	60°

¹ Brand: LumenRadio AB, Equipment: CRMX TiMo, Model: 200-1502, Product: Orbiter 2.4G Wireless Control Module, Frequency Range: 2402 - 2480 MHz, Frequency of Operation: 2402 - 2480 MHz, Power Output: 17.51 dBm, Number of Channels: 79, Channel Spacing: 1 MHz, Modulation Type: GFSK
² Only 30° Open Face optic depicted.

1 Fixture Color

Blue/Silver



L1.0033520
Orbiter without Yoke, Cable, etc.*

Black



L1.0033521
Orbiter black without Yoke, Cable, etc.*

*Each version includes a RF Antenna and Protection Cap.

2 Yoke Type

MAN



L2.0034025
Manual Yoke*

P.O.



L2.0036642
P.O. Yoke*

*Each version includes a 28 mm Junior Pin.

3 Power Cables

Mains Cables



powerCON TRUE1 Top (MAN) with Inline Switch & Mains Connector
L2.0024627 Bare Ends (3 m / 9.8 ft.)
L2.0001486 Schuko (3 m / 9.8 ft.)
L2.0001487 Edison (7 m / 23.0 ft.)
L2.0003678 Chinese (3 m / 9.8 ft.)
L2.0008904 Japanese (3 m / 9.8 ft.)

Daisy Chain Cables



powerCON TRUE1 Top
L2.0010633 CE (3 m / 9.8 ft.)
L2.0012548 UL (3 m / 9.8 ft.)
L2.0012663 Japan (3 m / 9.8 ft.)

powerCON TRUE1 Top (P.O.) without Inline Switch & Mains Connector
L2.0001485 Bare Ends (1,5 m / 4.9 ft.)

4 Control

Incl. Control Panel



L2.0033732 Control Panel*

Without Control Panel



DMX/Network Control ONLY!

L2.0033799 Cable for Control Panel (5 m / 16.4 ft.)
L2.0033800 Cable for Control Panel (15 m / 49.2 ft.)

*The Control Panel comes with Carrying Pouch, Lanyard and D-Ring. The Cable needs to be purchased separately.

5 Optics, Domes and Softboxess

Open Faces



L2.0033542 Open Face 60°
L2.0033541 Open Face 30°
L2.0033540 Open Face 15°
L2.0041133 Orbiter Open Face Kit

Fresnel



L2.0039436 Fresnel Lens 15°-65°

Projections



L2.0033549 Orbiter Projection Optic 25°
L2.0033550 Orbiter Projection Optic 35°

Glass Cover



L2.0039439 Glass Cover

Domes



L2.0039438 Dome Mini
L2.0034266 DoPchoice Dome S
L2.0034267 DoPchoice Dome M
L2.0034268 DoPchoice Dome L
L2.0034621 Chimera Dome M
L2.0034622 Chimera Dome L

Bag-o-Light



L2.0039437 Bag-o-Light

Softboxes



L2.0033840 DoPchoice SNAPBAG® S
L2.0034270 DoPchoice SNAPBAG® M
L2.0034269 DoPchoice Octa 4
L2.0033839 Chimera Lightbank S
L2.0036058 Chimera Lightbank M
L2.0034271 Chimera Octa 4

6 Accessories for Optics

For Open Face, Fresnel and Projection



Barndoors for Open Face 30° / 60° & Projection 25° / 35°
L2.79470.0 4-leaf barndoor (168 mm / 6.6")
L2.79500.0 8-leaf barndoor (168 mm / 6.6")
Barndoors for Open Face 15°
L2.39870.0 4-leaf barndoor (245 mm / 9.7") TRUE BLUE
L2.39900.0 8-leaf barndoor (245 mm / 9.7") TRUE BLUE
Barndoors for Fresnel 15-65°
L2.40950.0 4-leaf barndoor (344 mm / 13.5") TRUE BLUE
L2.40960.0 8-leaf barndoor (344 mm / 13.5") TRUE BLUE
Other
L2.79480.0 Snoot for Open Face 30° / 60°
L2.79880.0 Snoot for Open Face 15°
L2.0033841 Snoot for Projection 25°/35°
L2.0033843 Gobo Holder for Projection 25°/35°

For Softboxes



DoPchoice SNAPGRIDS® for SNAPBAGS®
L2.0038793 SNAPGRID® S 40°
L2.0038791 SNAPGRID® M 40°
L2.0020275 SNAPGRID® 40° for Octa 4

For third-party Optics



L2.0039421
Orbiter Docking Ring

Grid for Chimera
L2.0041050 EZ POP Soft Egg Crate 50 for Chimera Octa 4

Eyelight for DoPchoice Octa 4
L2.0035809 Eyelight Baffle
L2.0035808 Eyelight Magic Cloth
L2.0035807 Eyelight 1/4 Grid

7 Transport

Case



L2.0034626 Orbiter Case*

Bag



L2.0034624 Bag for Orbiter Open Face Optics**



L2.0033796 Control Panel Carrying Pouch

*Offers space for Orbiter, Yoke, Antenna, Control Panel, Protective Cap, Cables, Barndoors, Rain Cover and Skid

** Offers space for 15°, 30°, 60° Open Face Optics and Protective Cap

8 Miscellaneous

Grip & Mounting



L2.0034272 Skid Silver
L2.0039329 Skid Black



L2.0038027 Mini Variable Friction Arm



L2.8803652 Super Clamp

Protection & Safety



L2.0037805 Rain Cover

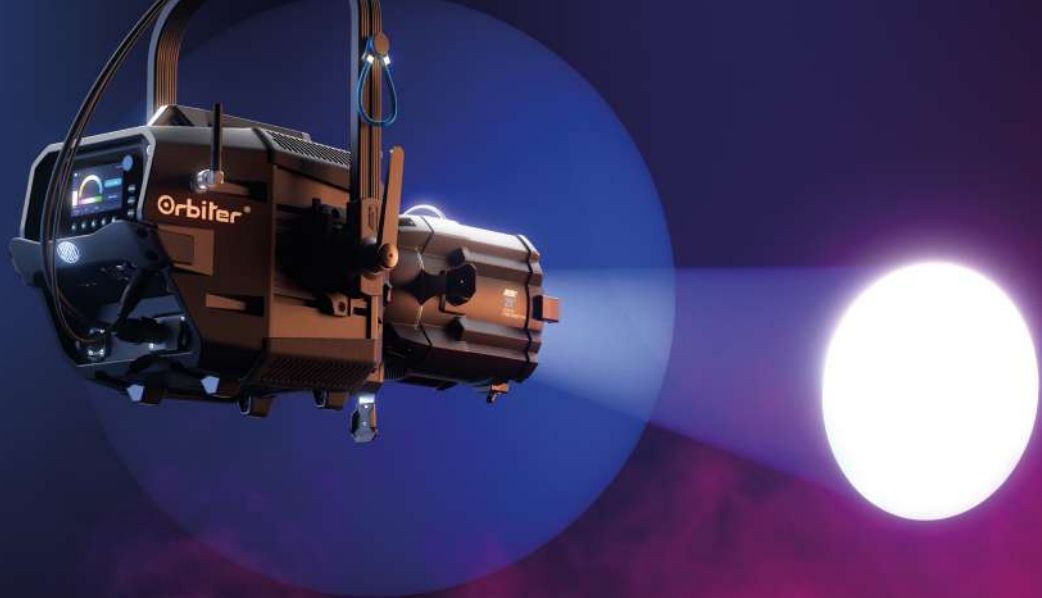


L2.0034273 Protection Cap



L2.0008899 Safety Cable (3 mm)
L2.0020919 Safety Cable (4 mm)
L2.0007590 Safety Cable (5 mm)

ARRI®



Accessories Guide

Orbiter® 

Orbiter accessories guide

Table of contents

Lamphead control

Stellar	4
Orbiter Control Panel	6

Optics

Fresnel Lens	8
Projection Optics	10
Open Face Optics	12
Open Face Kit	14
Glass Cover	15
Docking Ring	16

Domes

Chimera Domes	18
DoPchoice Domes	20
Dome Mini	22

Softboxes

Orbiter Bag-o-Light	24
Chimera Lightbanks	26
DoPchoice SNAPBAGS®	28
DoPchoice SNAPGRIDS®	30
Chimera Octagon	32
EZ POP Soft Egg Crate 50° for Chimera Octa 4	33
DoPchoice Octagon	34
DoPchoice SNAPGRID® 40° for Octa 4	35
DoPchoice Eyelights for Octa 4	36

Light control

4-leaf barndoors	38
8-leaf barndoors	39
Snoots for Open Face Optics	40
Snoot for Projection Optics	41
Gobo Holder for Projection Optics	42

Grip & mounting

Yokes	44
Mini Variable Friction Arm	46
Super Clamp without Stud	47
Skids	48

Cables

Mains cables	50
Daisy Chain cables	52
Control Panel cables	54

Cases & bags

Bag for Orbiter Optics	56
Control Panel carrying pouch	57
Orbiter Case	58

Protection & safety

Protection Cap	60
Rain Cover	61
Safety cable	62

Miscellaneous

90° Angled Antenna	63
--------------------	----

Ressources and contacts

ARRI Sales contacts	64
ARRI Service contacts	68
Online resources	70

Lamphead control



Stellar

Stellar - the lighting control app from ARRI - provides a smart and innovative way to control professional lighting and is available on iOS and Android phones and tablets. Stellar reimagines lighting control by automatically taking care of complex DMX settings and by featuring control interfaces with beautifully designed graphics. Coded intelligence and advanced communication make connecting ARRI Orbiter, SkyPanel, and L-Series fixtures to the app simple and straightforward. After using Stellar, it will be difficult to go back to controlling lights in any other way.



www.arri.com/stellar



- Control of ARRI and third party fixtures
- Manually add fixtures
- Swap out fixtures
- Grouping fixtures with different CCT ranges
- Share, Sync and backup your work
- Brings gels to the L-Series
- Intuitive and well designed user interface
- Light plot fixture selection
- Auto layout and discovery of fixtures
- Available on iOS and Android

Lamphead control



Orbiter Control Panel

The Orbiter control panel has a 4" full-color display, quick navigation buttons, and integrated sensors. This way, the Orbiter control panel allows for easy use with a graphic user interface. Simplified menu structure and reimagined user interfaces provide one-glance operational views and uncluttered screens. This intuitive design makes changing colors or finding a setting easier than ever before. In addition, the control panel is removable and can be used handheld with the aid of a control panel cable.

- Size: ~155 x 101 x 34 mm / 6.1 x 4.0 x 1.3 in
- Weight: ~0,4 kg / 0.8 lbs
- Optional Orbiter control panel cable 5 m / 16.4 ft. or 15 m / 49.2 ft.
- Includes carrying pouch, lanyard & D-ring

L2.0033732 Orbiter Control Panel



The carrying pouch comes with the purchase of each control panel. It can also be purchased separately.

L2.0033796 Control Panel Carrying Pouch



The control panel cable is not included in the control panel. It must be purchased separately.

L2.0033799 Cable for Control Panel, 5 m / 16.4 ft.

L2.0033800 Cable for Control Panel, 15 m / 49.2 ft.

Fresnel Lens



Fresnel Lens 15-65°

Creating a precise light spot with a soft single shadow, the Orbiter Fresnel lens delivers true Fresnel output with a real Gaussian diffusion. The large zoom range of 15 to 65° is fully motorized and can be precisely positioned while being controlled locally via Orbiter's Control Panel or remotely by DMX/RDM or IP based (ArtNet or sACN).

ARRI accessories like the 4- and 8-leaf barndoors can be added to the new Orbiter Fresnel lens to enable a perfect cut.

- Size: ~340 x 380 x 370 mm / 13.4 x 15 x 14.6 in
- Weight: ~4.5 kg / 9.5 lbs
- Lens diameter: 285 mm (11.2 in)
- Accessory slot sizes: 344 mm & 330 mm / 13.5 in and 13.0 in
- Fits 4-leaf & 8-leaf barndoors
- Large and fully motorized zoom range of 15-65°
- Zoom range can be controlled locally via Orbiter's Control Panel or remotely with DMX/RDM or IP based (ArtNet or sACN)
- A status LED display shows the current zoom angle
- The display backlight can be adjusted

L2.0039436 Orbiter Fresnel Lens 15-65°



Projection Optics

The Orbiter Projection Optics provide unparalleled precision in every detail allowing for crisp projection of a light spot, as well as immaculate gobo projection and precise shutter cuts. The field of light is entirely even and without color aberration. The projection has no visible hot spot or drop to the edge and the depth of field is outstanding. Both optics have a standard iris slot. The four manually adjustable shutter blades of the Projection Optics 25° and 35° produce a beam where any shutter blade cut, and the beam's edge are simultaneously in sharp focus. Orbiter's QLM allows the optics to be mounted safely and quickly onto the Orbiter but still enabling a 90° rotation. It is perfectly suited for theaters, cinematic applications, as well as broadcast studios or live productions.

L2.0033549 Orbiter Projection Optic 25°

L2.0033550 Orbiter Projection Optic 35°

- Motorized focus adjustment which can be controlled locally or remotely
- Standard B-size metal or glass gobo can be added via dedicated Goboholder
- Specific snoot for Projection Optics to eliminate spill light
- Fits 4-leaf & 8-leaf barndoors
- Accessory slot size: 168 mm / 6.6 in

Projection Optic 25°

- Size: ~287 mm x 287 mm x 331 mm / 11.3 x 11.3 x 13.1 in
- Weight: ~5,45 kg / 12 lbs

Projection Optic 35°

- Size: ~287 mm x 287 mm x 284 mm / 11.3 x 11.3 x 11.2 in
- Weight: ~4,35 kg / 9,6 lbs

Open Face Optics

The Open Face Optics produce a high-output, directional beam of light in several different beam angles including 15°, 30°, and 60°. They are perfect for throwing light long distances or providing a broad swath of light. The accessory slot can be used with modifiers such as barndoors or snoots.



L2.0033540 Orbiter Open Face Optic 15°

L2.0033541 Orbiter Open Face Optic 30°

L2.0033542 Orbiter Open Face Optic 60°

- Provides powerful, uniform beam of light
- Fits 4-leaf & 8-leaf barndoors and snoots
- Ships in foam insert that can be re-used for safe transportation and storage

Open Face 15°

- Size: ~265 x 297 x 375 mm / 10.4 x 11.7 x 14.8 in
- Weight: ~2,1 kg / 4.5 lbs
- Accessory slot size: 245 mm / 9.7 in

Open Face 30°

- Size: ~186 x 208 x 157 mm / 7.3 x 8.2 x 6.2 in
- Weight: ~0,9 kg / 1.9 lbs
- Accessory slot size: 168 mm / 6.6 in

Open Face 60°

- Size: ~186 x 208 x 87 mm / 7.3 x 8.2 x 3.4 in
- Weight: ~0,6 kg / 1.4 lbs
- Accessory slot sizes: 168 mm / 6.6 in

Open Face Optics



Orbiter Open Face Kit

The Open Face Kit for Orbiter is a convenient way to complete your set of Orbiter optics. The kit is lightweight and includes a 15°, 30° and 60° Open Face optic. The optics are packed in a robust bag with reinforced corners, all around-velcro fastenings and adjustable shoulder strap. With the customized foam inlay all parts are perfectly organized, well protected, and ready to go.

- Size: ~75 x 40 x 35 cm / 29.5 x 15.8 x 14.2 in
- Weight: ~8 kg / 17.6 lbs
- Kit incl. bag, 15°, 30° & 60° Open Face Optics for Orbiter
- Robust soft bag with customized foam inlay for Orbiter Open Face optics
- Lightweight, compact & ready to go

L2.0041133 Orbiter Open Face Kit

More Orbiter optics

Glass Cover



The Orbiter Glass Cover is a small, compact, and lightweight optical accessory for the Orbiter. With its ultra-translucent glass, the Glass Cover allows for full, unrestricted light output without impacting color temperature or quality. It is ideal for near distance applications with limited available space where much light is needed. Orbiter's QLM allows for the optic to be mounted effortlessly.

- Size: ~157 x 162 x 34 mm / 6.2 x 6.4 x 1.3 in
- Weight: ~0,4 kg / 0.9 lbs
- Very minimal output loss
- 80° beam angle and single hard shadow
- Simultaneous protection of the Orbiter's light engine (can be used instead of transport cap cover)

L2.0039439 Orbiter Glass Cover

For third-party optics

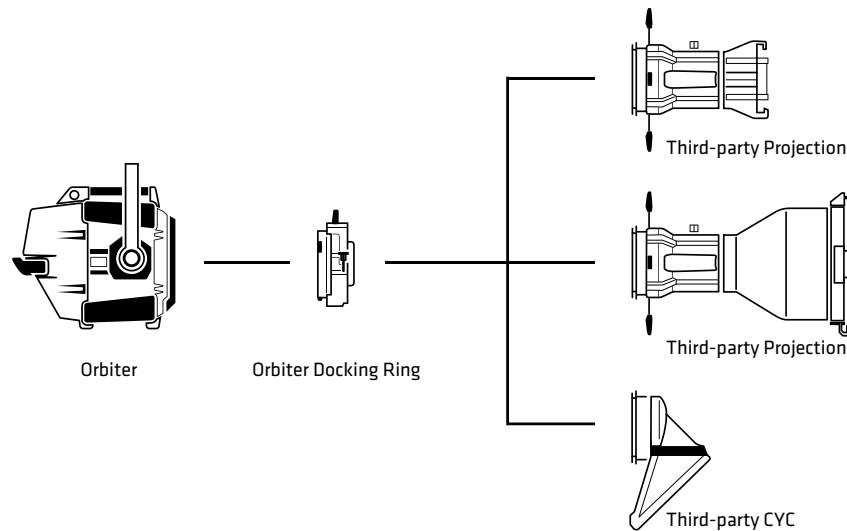


Orbiter Docking Ring

With the Docking Ring, optics from other manufacturers can be mounted onto the Orbiter while still benefiting from ARRI lighting quality. This adapter attaches effortlessly and without need for any additional tools directly into the Quick Lighting Mount (QLM) of every Orbiter and is automatically recognized by the luminaire. Light output is automatically adjusted for optimal performance. The operation of third-party optics is safe due to the built-in automatic and low-noise cooling fan.

- Size: ~246 x 225 x 86 mm / 9.7 x 8.9 x 3.4 in
- Weight: ~1 kg / 2.2 lbs
- Allows the attachment of third-party optics
- Built-in low-noise cooling system

L2.0039421 Orbiter Docking Ring





Chimera Domes

L2.0034621 Chimera Dome M



L2.0034622 Chimera Dome L

The dome optics for Orbiter by Chimera are fabric spheres available in two different sizes. They easily attach to the front of the Orbiter and form a lantern shape. The speed ring is specially made to fit the Quick Lighting Mount (QLM) and allows the lightweight domes to be connected to Orbiter. The dome emits omni-directional light, great for illuminating a large area with a beautiful, soft quality of light

- Available sizes:
 - M - approx. 50 cm / 20 in diameter
 - L - approx. 75 cm / 30 in diameter
- Provides omni-directional, soft light
- Lightweight and professional grade construction and materials
- Attaches to the Quick Lighting Mount (QLM) on Orbiter
- Contains digital optics identification
- Includes lantern, QLM speed ring, skirt set, and storage bag



DoPchoice Domes

L2.0034266 DoPchoice Dome S

L2.0034267 DoPchoice Dome M

L2.0034268 DoPchoice Dome L

The dome optics for Orbiter by DoPchoice are fabric spheres available in three different sizes. They easily attach to the front of the Orbiter and form a balloon shape. The Quick Lighting Mount (QLM) adapter is pre-installed and the domes setup with one simple action. The domes emit omni-directional light, great for illuminating a large area with a beautiful, soft quality of light.

- Available sizes:
 - S - approx. 30 cm / 12 in diameter
 - M - approx. 50 cm / 20 in diameter
 - L - approx. 100 cm / 39 in diameter
- Provides omni-directional, soft light
- Advanced design for fast setup
- Attaches to the Quick Lighting Mount (QLM) on Orbiter
- Contains digital optics identification
- Includes dome, skirts, and storage sack



Dome Mini

The Orbiter Dome Mini provides great quality omnidirectional light at a high intensity. Compared to the Dome optic, the Dome Mini is a compact version; smaller and therefore lighter. The highly translucent material keeps the light output loss to a minimum compared to the usually larger, cloth-based domes. The QLM (Quick Lighting Mount) in Orbiter allows the quick and easy mount of the Dome Mini. The light it produces is great for near distance applications with limited available space.

- Size: ~157 x 162 x 118 mm / 6.2 x 6.4 x 3.7 in
- Weight: ~0,4 kg / 0.9 lbs
- Produces great-quality omnidirectional light with single soft shadow
- Output loss is kept to a minimum
- Maintains IP24 protection rating of the Orbiter

L2.0039438 Orbiter Dome Mini

Bag-o-Light



Orbiter Bag-o-Light

The Orbiter Bag-o-Light by Licht-Technik is an ideal accessory for close-up applications in motion picture and photography where soft light with almost no shadows is required. This accessory, looking like a huge tube, transforms the light output from the standard 15° Open Face optic on the Orbiter into beautiful soft light. The Bag-o-Light is easily inflated by a standard pump (< 6000 Pa / 60 mbar - not included) or even by mouth and can be quickly mounted to the 15° Open Face optic (not included). It is lightweight at less than 0.86 kg / 1.89 lbs. and only needs little storage space when deflated.

- Size: ~244 mm / 9.6 in diameter; 2 m / 78.7 in long
- Weight: ~0,9 kg / 1.9 lbs
- Delivers beautiful soft light for close-up applications
- Mounts easily and quickly without tools to the Orbiter's 15° Open Face optic
- Ready for use within ~1 minute
- Inflatable via a standard household pump or even by mouth
- Inflated Bag-o-Light system holds for several hours
- Noiseless
- Splashproof
- Pump and Open Face Optic are not included

L2.0039437 Orbiter Bag-o-Light



Chimera Lightbanks

L2.0033839 Chimera Lightbank S



L2.0036058 Chimera Lightbank M

The Lightbanks for Orbiter by Chimera are professional grade softboxes available in two different sizes. With easy attachment and no additional optical elements needed, the lightbanks allow for a controlled soft light with amazing output. The speed ring creates a direct mounting point between the softbox and Orbiter Quick Lighting Mount (QLM). The lightbanks create a large aperture with beautiful soft light.

- Available sizes:
 - S - approx. 80 x 60 cm / 32 x 24 in, 45 cm / 18 in deep
 - M - approx. 120 x 90 cm / 48 x 36 in, 60 cm / 24 in deep
- Provides controlled soft light and amazing output
- Lightweight and professional grade construction and materials
- Attaches to the Quick Lighting Mount (QLM) on Orbiter
- Contains digital optics identification
- Includes light bank, full & half Chimera cloth front screens, inner baffle, QLM speed ring & storage bag



DoPchoice SNAPBAGS®

L2.0033840 DoPchoice SNAPBAG® S



L2.0034270 DoPchoice SNAPBAG® M

The SNAPBAGS® by DoPchoice create a large aperture with beautiful soft light and attach directly to the front of Orbiter and are available in two different sizes. With easy attachment and no additional optical elements needed, the SNAPBAGS® allow for a controlled soft light with amazing output. The Quick Lighting Mount (QLM) adapter and four Rabbit-Ears are pre-assembled and thus the SNAPBAGS® are setup very quick.

- Available sizes:
 - S - approx. 80 x 60 cm / 30 x 24 in, 50 cm / 19 in deep
 - M - approx. 120 x 85 cm / 46 x 33 in, 80 cm / 31 in deep
- Provides controlled soft light and amazing output
- Professional grade construction for fast setup
- Attaches to the Quick Lighting Mount (QLM) on Orbiter
- Contains digital optics identification
- Includes SnapBag with circular Rabbit-Ears, magic cloth, storage sack

Softboxes



DoPchoice SNAPGRID® S 40°

The small 40° SNAPGRID® by DoPchoice attaches directly to the front of small DoPchoice SNAPBAGS®, incl. the SNAPBAG® S for Orbiter. In addition it fits the Chimera Lightbank for S30 and the Chimera POP Bank for S60. The SNAPGRID® provides directional light control and easily folds away for storage.

- Approx. 75 x 54 x 8 cm / 30 x 21 x 3 in
- Fits DoPchoice SNAPBAG® S for Orbiter, Chimera Lightbank for S30, and Chimera POP Bank for S60
- Half Peak Angle: 40°
- No mounting hardware required
- Incl. carrying bag

L2.0038793 DoPchoice SNAPGRID® S 40°



DoPchoice SNAPGRID® M 40°

The medium 40° SNAPGRID® by DoPchoice attaches directly to the front of medium DoPchoice SNAPBAGS®, incl. the SNAPBAG® M for Orbiter. The SNAPGRID® provides directional light control and easily folds away for storage.

- Approx. 111 x 82 x 8 cm / 44 x 32 x 3 in
- Fits DoPchoice SNAPBAG® M for Orbiter
- Half Peak Angle: 40°
- No mounting hardware required
- Incl. carrying bag

L2.0038791 DoPchoice SNAPGRID® M 40°

Octagon



Chimera Octagon

The Chimera Octa 4 for Orbiter uses a large aperture to generate extremely soft, yet bright light. The speed ring creates a direct mounting point between the Chimera Octagon and Orbiter. It holds Orbiter directly in the center of a 4 ft. diameter octagon shaped light bank. The Chimera Octa is perfect for beauty shots.

- Approx. 135 cm / 53 in diameter, 75 cm / 29 in deep
- Bright and super soft
- Lightweight and professional grade construction and materials
- Attaches to the Quick Lighting Mount (QLM) on Orbiter
- Contains digital optics identification
- Includes light bank, full and half Chimera cloth front screens, inner baffle, QLM speed ring & storage bag

L2.0034271 Chimera Octa 4



EZ POP Soft Egg Crate 50° for Chimera Octa 4

The soft egg crate from Lighttools attaches to the front of the Chimera Octa 4 for Orbiter and provides directional light control. With a built-in tensioning frame the soft egg crate is kept taut and in perfect formation regardless of how your softbox is angled. It easily folds away for storage.

- Provides directional light control
- Fits Chimera Octa 4 for Orbiter
- Approx. 50° half peak angle (HPA)
- No mounting hardware required

L2.0041050 EZ POP Soft Egg Crate 50° for Chimera Octa 4

Octagon



DoPchoice Octagon

The DoPchoice Octa 4 for Orbiter uses a large aperture to generate extremely soft, yet bright light. The Quick Lighting Mount (QLM) adapter and eight Rabbit-Ears are pre-assembled and directly fixed on the octagon. It holds Orbiter directly in the center of a 4 ft. diameter octagon shaped softbox. The DoPchoice Octa is perfect for beauty shots.

- Approx. 120 cm / 47 in diameter, 75 cm / 30 in deep
- Bright and super soft
- Professional grade construction for fast setup
- Attaches to the Quick Lighting Mount (QLM) on Orbiter
- Contains digital optics identification
- Includes circular Rabbit-Ears, magic cloth, 3D baffle & storage sack

L2.0034269 DoPchoice Octa 4 for Orbiter



DoPchoice SNAPGRID® 40° for Octa 4

The SNAPGRID® for the Octa 4 by DoPchoice attaches to the front of the Orbiter and SkyPanel Octa 4 and provides directional light control. The SNAPGRID® attaches to the DoPchoice Octa 4 and easily folds away for storage.

- Provides directional light control
- Approx. 40° half peak angle (HPA)
- No mounting hardware required

L2.0020275 DoPchoice SNAPGRID® 40° for Octa 4

Octagon

**DoPchoice Eyelights for Octa 4**

L2.0035807 DoPchoice Octa 4 Eyelight 1/4 Grid



L2.0035808 DoPchoice Octa 4 Eyelight Magic Cloth



L2.0035809 DoPchoice Octa 4 Eyelight Baffle

The Eyelights for Octa 4 by DoPchoice replace the front diffusion of the DoPchoice octagon. They provide a distinct ring light effect in eyes for beauty or portrait shooting, while generating soft skin tones. The Eyelights are a perfect add-on for still photography lighting.

- 1/4 Grid Screen with 50 cm / 19.7 in black circle in center
- Magic Cloth Screen with 50 cm / 19.7 in black circle in center
- Baffle, black/soft silver, 60 cm / 23.6 in
- Great for still photography lighting

Octa 4 with SkyPanel depicted.

Barndoors



4-leaf barndoors

The 4-leaf barndoor allows for control of light spill and control of the beam. Different size optics require different size barndoors. Select the barndoor accordingly.

- Lightweight and rugged design
- 4-leaf design with ARRI standard
 - 168 mm / 6.6" diameter for Open Face 30° / 60°, Projection 25° / 35°
 - 245 mm / 9.7" diameter for Open Face 15°
 - 344 mm / 13.5" diameter for Fresnel 15-65°

L2.79470.0	4-leaf barndoor (168 mm / 6.6")
L2.39870.0	4-leaf barndoor (245 mm / 9.7") True Blue
L2.40950.0	4-leaf barndoor (344 mm / 13.5")



8-leaf barndoors

The 8-leaf barndoor allows for control of light spill and control of the beam. The 8-leaf design provides additional dimensions of control. Different size optics require different size barndoors. Select the barndoor accordingly.

- Lightweight and rugged design
- 8-leaf design with ARRI standard
 - 168 mm / 6.6" diameter for Open Face 30° / 60°, Projection 25° / 35°
 - 245 mm / 9.7" diameter for Open Face 15°
 - 344 mm / 13.5" diameter for Fresnel 15-65°

L2.79500.0	8-leaf barndoor (168 mm / 6.6")
L2.39900.0	8-leaf barndoor (245 mm / 9.7") True Blue
L2.40960.0	8-leaf barndoor (344 mm / 13.5")

Snoots



Snoots for Open Face Optics

The funnel-shaped snoot has a variable aperture narrowing the beam into soft-edged circles and minimizing spill light. The inside is provided with a matt, non-reflecting surface

- 168 mm / 6.6 in for 30° and 60° Open Face Optics
- 245 mm / 9.7 in for 15° Open Face Optics
- Robust design
- Projects a circular shape
- Variable aperture for different beam spreads
- Slides into accessory slot of the Open Face Optics

L2.79480.0 Snoot (168 mm / 6.6")

L2.79880.0 Snoot (245 mm / 9.7")

Snoot for Projection Optics

The Cylinder-shaped snoot has a fixed aperture eliminating the spill light of the Projection Optics without narrowing the beam angle. The inside is provided with a matt, non-reflecting surface.

- 168 mm / 6.6 in for 25° & 35° Projection Optics
- Robust design
- Eliminates spill light
- Slides into accessory slot of the Projection Optics

L2.0033841 Snoot for Orbiter Projection Optic 25°/35°

Gobo Holder

Gobo Holder for Projection Optics

A standard B-size metal or glass gobo can be added to the Orbiter Projection Optic 25° and 35° via the dedicated Gobo Holder.

L2.0033843 Gobo Holder for Orbiter Projection Optic 25° / 35°

Yokes



Yokes

L2.0034025 Orbiter Manual Yoke

L2.0036642 Orbiter P.O. Yoke

The yokes for Orbiter come with a newly developed release system that allows for quick change from a manual version lamphead to a pole operated version. The 28 mm spigot (Junior pin) is already mounted on the yoke. No tools needed for setting up Orbiter.

Manual yoke made of high strength aluminum profile

- Size: ~451 x 553 x 77 mm / 17.8 x 21.8 x 3.0 in
- Weight: ~2,5 kg / 5.6 lbs

Steel yoke for pole operation (pan, tilt)

- Size: ~411 x 593 x 118 mm / 16.2 x 23.3 x 4.6 in
- Weight: ~3,2 kg / 7.0 lbs

Arm



Mini Variable Friction Arm

Constructed from lightweight, strong aluminum this professional variable friction arm is both flexible and versatile. It is designed to match with a whole array of standard size 1/4" and 3/8" attachments. With this variable friction arm, you will enjoy full, fuss-free range of movement. In combination with the super clamp this friction arm is the perfect complement for attaching the Orbiter control panel to a great variety of surfaces while keeping it organized and flexible.

- Professional variable friction arm by Manfrotto
- Solid aluminium arm for maximum strength and durability
- Supports up to 3 kg / 6.6 lbs
- Includes two 6.4 mm / 1/4 in adapters & one 9.5 mm / 3/8 in adapter

L2.0038027 Mini Variable Friction Arm

Clamp



Super Clamp without Stud

The multipurpose clamp is a versatile, professional standard and superior quality clamp for a whole range of applications. The compact and lightweight clamp can hold onto just about anything, including round and square surfaces. Mounting options include M5 & 1/4" threads for limitless mounting options. In combination with the mini variable friction arm this super clamp is the perfect complement for attaching the Orbiter control panel to a great variety of surfaces while keeping it organized and flexible.

- High quality and versatile clamp by Manfrotto
- Can clamp onto a variety of round and square surfaces
- Supports up to 15 kg / 33 lbs
- Incl. M5 & 1/4 in threads

L2.8803652 Super Clamp Adapter

Skids



Orbiter Skids

The skid can be mounted easily to Orbiter replacing the feet. Equipped with the skid Orbiter is perfectly prepared for heavy duty daily work in rough environments. It is ideal for transport on trolleys or for storage in compartments on trucks.

- Size: ~380 x 260 x 36 mm / 15.0 x 10.2 x 1.4 in
- Weight: ~1 kg / 1.9 lbs
- Pipe diameter: 20 mm / 0.79 in
- Made of durable powder-coated steel
- Silver or black version available
- Replaces Orbiter feet

L2.0034272	Orbiter Skid Silver
------------	---------------------

L2.0039329	Orbiter Skid Black
------------	--------------------



Mains cable, powerCON TRUE1 TOP

The mains cables connect Orbiter to a mains power outlet (100-240 V~, 50/60 Hz).

- powerCON TRUE1 TOP connector
- Line switch (except Bare Ends cable)
- Lengths: 1.5 m, 3 m and 7 m / 4.9 ft., 9.8 ft. and 23.0 ft. available
- Rubber insulated cable H07RN-F 3G1,5, EN (Bare Ends, Schuko, Chinese)
- Rubber insulated cable HVCTF 3x2,0, PSE (Japanese)
- Rubber insulated cable SJO(OW) 3x14AWG, UL (Edison)

L2.0001485	Mains cable, 1.5 m / 4.9 ft., powerCON TRUE1 TOP / Bare Ends
L2.0024627	Mains cable, 3 m / 9.8 ft., powerCON TRUE1 TOP / Bare Ends, with line switch
L2.0001486	Mains cable, 3 m / 9.8 ft., powerCON TRUE1 TOP / Schuko, with line switch
L2.0003678	Mains cable, 3 m / 9.8 ft., powerCON TRUE1 TOP / Chinese, with line switch
L2.0008904	Mains cable, 3 m / 9.8 ft., powerCON TRUE1 TOP / Japanese, with line switch
L2.0001487	Mains cable, 7 m / 23.0 ft., powerCON TRUE1 TOP / Edison, with line switch



Daisy Chain cable, powerCON TRUE1 TOP

The daisy chain cable allows for Orbiter to Orbiter mains power connection. Orbiter is thereby able to pass AC power through to another powerCON device.

- Male to female powerCON TRUE1 TOP connector
- 3 m / 9.8 ft. in length
- 16 A max. current
- Rubber insulated cable H07RN-F 3G1,5, EN
(Bare Ends, Schuko, Chinese)
- Rubber insulated cable SJO(OW) 3x14AWG, UL (Edison)
- Rubber insulated cable HVCTF 3x2,0, PSE (Japanese)

L2.0010633 Daisy Chain cable, 3 m / 9.8 ft.,
powerCON TRUE1 TOP / CE

L2.0012548 Daisy Chain cable, 3 m / 9.8 ft.,
powerCON TRUE1 TOP / UL

L2.0012663 Daisy Chain cable, 3 m / 9.8 ft.,
powerCON TRUE1 TOP / Japan



Control Panel cable

The Control Panel cable allows for the remote usage of the Control Panel. Simply pop out the Control Panel from Orbiter, connect the cable, and pick up right where you left off. The cable comes in two different lengths.

- Comes in 5 m / 16.4 ft. or 15 m / 49.2 ft. lengths
- High quality cable for tough locations
- 4-pin LEMO locking connectors

L2.0033799 Cable for Control Panel, 5 m / 16.4 ft.

L2.0033800 Cable for Control Panel, 15 m / 49.2 ft.

Bags & kits



Bag for Orbiter Optics

The soft bag for Orbiter provides protection and easy transportation of the three different open face optics and smaller softboxes. The foam inlay is customized and keeps the 15°, 30° and 60° Open Face Optics organized and protected as well as the Protection Cap. This robust bag is made of fabric and reinforced on all corners.

- Size: ~ 75 x 40 x 35 cm / 29.5 x 15.8 x 14.2"
- All-around velcro fastenings
- Holds Orbiter Open Face Optics 15°, 30° & 60° and Protection Cap
- Adjustable shoulder strap and handles

L2.0034624 Bag for Orbiter Optics*

*Product comes without Open Face Optics.



Control Panel carrying pouch

The carrying pouch provides protection and storage for the control panel when not in use. It comes with the purchase of each Orbiter control panel but can also be purchased separately.

- Size: ~18 x 12 x 6 cm / 7.1 x 4.7 x 2.4 in
- Weight: ~0,9 kg / 2.0 lbs
- Robust soft bag
- Holds control panel for Orbiter
- Cover flap with velcro fasteners
- Loop for attachment to a belt

L2.0033796 Control Panel Carrying Pouch



Orbiter Case

The plastic molded case for Orbiter is robust, water and dust-resistant and perfect for transporting Orbiter without the risk of damage.

The customized foam inlay contains several compartments to keep all parts organized and protected. The case provides space for one Orbiter with skid or feet mounted, with or without attached rain cover, the manual yoke incl. spigot, the control panel, one AC and one control panel cable, and two barndoors (4- or 8-leaf design) with 168 mm / 6.6" & 245 mm / 9.7" diameter.

L2.0034626 Orbiter Case*

*Case comes without Orbiter and accessories.

- Size: ~80 x 55 x 40 cm / 32.1 x 21.3 x 16.8 in
- Weight: ~14 kg / 30.9 lbs
- Water & dust proof
- Compartments to keep Orbiter and its parts organized & protected
- Wheels and handles for convenient mobility

Protection



Orbiter Protection Cap

The Orbiter Protection Cap protects the light engine of Orbiter during transportation. This cap comes with Orbiter, however a spare or replacement unit can be purchased. It is recommended to always use the protection cap during transportation of the fixture.

- Size: ~157 x 162 x 37 mm / 6.2 x 6.4 x 1.4 in
- Weight: ~0,3 kg / 0.6 lbs
- Protection cap locks into the Quick Lighting Mount (QLM) of Orbiter
- Contains digital optics identification
- Made of durable, high quality plastics

L2.0034273 Orbiter Protection Cap



Orbiter Rain Cover

The rain cover is built to last and protect the ports of Orbiter permanently. Its design nestles up against the back of the Orbiter. The two lateral velcro straps ensure a permanent secure fit. The cable routing allows the use of all existing interfaces.

- Size: ~268 x 280 x 150 mm / 10.6 x 11.0 x 5.9 in
- Weight: ~0,5 kg / 0.9 lbs
- Endurable transparent material
- Control Panel display fully visible
- Easy cable routing
- Makes Orbiter permanent IPx4, weatherproof

L2.0037805 Orbiter Rain Cover



Safety cable

Made of wire rope with a one-sided, captive, crimped-in chain quick-release fastener the safety cable will provide an extra level of safety once attached properly to Orbiter and Orbiter accessories. The safety cables are available in different length and diameters.

- D = 3 mm / 0.1 in, L = 0.6 m / 23.6 in, max. load 5 kg / 11.1 lbs
- D = 4 mm / 0.16 in, L = 1 m / 39.4 in, max. load 16 kg / 35.0 lbs
- D = 5 mm / 0.20 in, L = 1 m / 39.4 in, max. load 25 kg / 55.0 lbs
- One-sided, captive, crimped-in chain quick-release fastener

L2.0008899	Safety cable (3 mm)*
------------	----------------------

L2.0020919	Safety cable (4 mm)*
------------	----------------------

L2.0007590	Safety cable (5 mm)*
------------	----------------------

*These products are not available for the US market.

90° Angled Antenna



The antenna's design ensures maximal transmission and range. The rotatable position helps to find best radio performance depending on mounting and location.

- 2.4 GHz
- 2 dBi gain
- Homogeneous radiation pattern

L2.0036546	90° Angled Antenna
------------	--------------------

ARRI Sales contacts

Europe, Middle East, Africa, India

Arnold & Richter Cine Technik

GmbH & Co. Betriebs KG (Sales & Service)

Ernst-Augustin-Strasse 12, 12489 Berlin, Germany

sales-lighting@arri.de

Phone: +49 (0)30 678 233 0, Fax: +49 (0)30 678 233 99

ARRI Italia s.r.l. (Sales)

Via Fabio Filzi, 47, 20124 Milano (Mi), Italy

info@arri.it

ARRI CT France Sarl (Sales)

54 Rue René Boulanger, 75010 Paris, France

info@arrifrance.com

ARRI Middle East DMCC (Sales)

JBC3, Office No. 2405, P.O. BOX NO 336550

Jumeirah Lake Towers, Dubai,

United Arab Emirates

info@arrime.com

Phone: +9714 4229957, Fax: +9714 4397001

Americas

ARRI Brasil Ltda.

Avenida Ibirapuera, 2907 - Cj. 421 Indianópolis

04029-200 São Paulo - SP, Brazil

arribrasil@arri.com

Phone: +55 11 5041-9450

ARRI Inc. / West Coast & Mexico (Sales & Service)

3700 Vanowen Street, Burbank, CA 91505, USA

info@arri.com

Phone: +1 818 841 7070, Fax: +1 818 848 4028

ARRI Inc. / East Coast (Sales & Service)

617 Route 303, Blauvelt, NY 10913-1109, USA

info@arri.com

Phone: +1 845 353 1400, Fax: +1 845 425 1250

ARRI Inc. / Latin America (Sales)

888 E. Las Olas Blvd. Suite 702, Fort Lauderdale,

FL 33301, USA

ARRILatAm@arri.com

Phone: +1 954 666 6045

ARRI Canada Limited (Sales & Service)

1200 Aerowood Drive,

Unit 29 Mississauga, Ontario L4W 2S7

info@arri.com

Phone: +1 416 255 3335, Fax: +1 416 255 3399

Resources and contacts

ARRI Sales contacts

Asia

ARRI Hong Kong Limited (Sales & Service)

41/F, One Kowloon, 1 Wang Yuen Street
Kowloon Bay, Hong Kong
salesupport@arri.asia
Phone: +852 2571 6288, Fax : +852 2875 9181

ARRI China (Beijing) Co. Ltd. (Sales & Service)

Chaowai SOHO Tower C, 6/F, 0628/0656
Chaowai Dajie Yi 6, Beijing, China
store@arri.cn
Phone: +86 10 59009680, Fax : +86 10 59009679

ARRI Japan KK

Haneda Innovation City,
Zone K, Unit 210, 1-1-4, Haneda-kuko,
Ota-ku, Tokyo 144-0041, Japan
info@arri.jp
Phone: +81 3 6635 3750

ARRI Korea Ltd.

Kolon Digital Tower 1 (#1505-06),
25 Seongsuil-ro 4gil, Seongdong-gu,
Seoul 04781, Republic of Korea
info@arri.kr
Phone: +82 2 462 2888

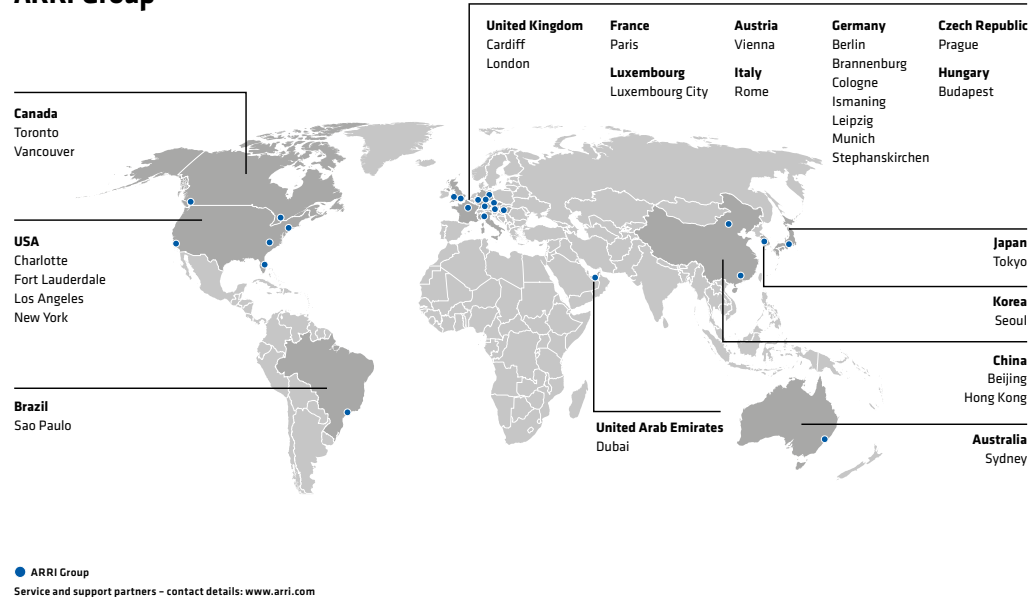
Australia / New Zealand**ARRI Australia Pty Ltd**

Suite 2, Building B, 12 Julius Avenue,
North Ryde, NSW 2113, Australia
info@arri.com.au
Phone: +61 2 9855 4300

ARRI Service contacts

Zone	Availability	Service Center	E-Mail	Telephone Hotline
1	Monday – Thursday: 8:00 – 16:00 (CET) Friday: 8:00 – 12:00 (CET)	Brannenburg, Germany Arnold & Richter Cine Technik	service-lighting@arri.de	+49 (0)89 206 046 611
2	Monday – Friday: 09:00 – 17:30 (EST)	New York, USA ARRI Inc. East Coast	service-lighting@arri.com	+1 845 353 1400
	Monday – Friday: 08:30 – 17:15 (PST)	Burbank, USA ARRI Inc. West Coast	service-lighting@arri.com	+1 818 841 7070
3	Monday – Friday: 09:00 – 18:00 (HKT)	Hong Kong, China ARRI Hong Kong Limited	service@arri.asia	+852 2537 4266
	Monday – Friday: 09:00 – 18:00 (CST)	Beijing, China ARRI China (Beijing) Co. Ltd.	service@arri.cn	+86 5900 9680
	Monday – Friday: 08:00 – 17:00 (AEST)	Sydney, Australia ARRI Australia Pty Limited	service@arri.com.au	+61 2 9855 4300

ARRI Group



Online resources

Downloads

Orbiter data sheets, manuals and brochure

www.arri.com/orbiter/downloads

Software tools

LIOS Firmware

www.arri.com/lios

ARRI Lighting Service Manager

www.arri.com/lighting/alsm

Photometric Calculator App

www.arri.com/lighting/photometric

This ARRI Orbiter Accessories Guide (Ident. No. 80.0033504 / L03906) is published by Arnold & Richter Cine Technik, September 2022 © ARRI/2022. Technical data and offerings are subject to change without notice. All rights reserved. Without any warranty. Not binding 09/2022

ARRI, the ARRI logo, ARRIMAX, ARRISUN, EB, **LIOS**, L-Series, MAX Technology, M-Series, Orbiter, POCKETPAR, Quick Lighting Mount, QLM, True Blue, SkyPanel, SKYPANEL, Stellar, and T12 as well as the blue/silver color combination are registered trademarks of Arnold & Richter Cine Technik GmbH & Co. Betriebs KG.

Arnold & Richter Cine Technik GmbH & Co. Betriebs KG · Herbert-Bayer-Str. 10 · 80807 Munich · Germany
Tel +49 (0)89 3809 0 · Fax +49 (0)89 3809 1245 · www.arri.com

Orbiter[®]

ILLUMINATION | RESHAPED

Explore the Orbiter: www.arri.com/orbiter
Orbiter accessories: www.arri.com/orbiter-accessories