



Type(s)
Project
Date
Notes

GENERAL INFORMATION

The Pro Two-Cell is ideal for medium-throw LED illumination. The luminaire is designed to fit in locations where hanging space is limited, and is equipped with a yoke for maximum focusing flexibility. Manufactured from high-grade, powder-coated aluminum and steel, the Pro Two-Cell is entirely convection-cooled, meaning zero noise emission.

The Pro Two-Cell luminaire connects directly to a mains supply and is supplied complete with an onboard power supply. Intensity control is achieved either with a direct, wired-DMX connection to the luminaire’s RJ45/etherCON connectors, or wirelessly using the separate ArcMesh Transmitter.

ArcSystem has been specifically developed for auditorium-lighting applications where high-quality, extremely accurate and smooth dimming is required. The use of onboard device management in the driver allows all luminaires to be addressed remotely, ensuring fast and simple installation.

GENERAL INFORMATION

APPLICATIONS

- Auditoriums
- Worklights
- Lobbies
- Houses of worship
- Museums
- Studios

FEATURES

- Wired-DMX or wireless (ArcMesh) control protocols
- Stepless, smooth dimming to absolute zero
- Convection-cooled
- Silent operation
- Black or white paint finish options
- Custom color paint finishes available by special order
- Available as a dual-input emergency version

ORDERING INFORMATION

ArcSystem Pro Two-Cell

MODEL	CONTROL	POWER	FADE-TO-WARM	COLOR TEMP	BEAM ANGLE	FIXTURE COLOR	MOUNTING
ARCP2 - Standard	BLANK - DMX/ArcMesh	BLANK - 100–240 VAC (IEC cord)	BLANK - Standard	2 - 2700 K	19 - 19°	W - White	Y - Surface Yoke
ARCPE2 - Emergency	RDM - DMX/RDM	277 - 100–277 VAC (hard-wired)	F - Fade To Warm <small>(only available with 2700 K and 3000 K options)</small>	3 - 3000 K 35 - 3500 K 4 - 4000 K 5 - 5000 K	24 - 24° 37 - 37° 60 - 60°	B - Black C - Custom	

To complete the form, simply select an option at the bottom of each column to populate the last row with your desired part number.

Color Options: Fixtures ship standard in black or white. For additional colors please contact ETC.



PRODUCT SPECIFICATIONS (PRO TWO-CELL)

Source

LED details	Bridgelux Vero 13 (standard) Vesta 15 (FTW)
Max field lumens	4,370 (5000 K 37°)
Lumens per watt	87
L70 rating (hours to 70% output)	50,000 hours

Color

Colors used	Fixed white
Color temperature range	2700 K, 3000 K, 3500 K, 4000 K, 5000 K
Fade to warm	Optional on 2700 K and 3000 K

Optical

Beam angle range	19 / 24 / 37 / 60
CRI	>90
TM-30-18 data	Refer to ArcSystem photometry guide
Photometry data	See below or refer to ArcSystem photometry guide

Control

Input method	DMX-512 via RJ45 etherCON connector
Protocols	DMX, ArcMesh wireless, RDM (option)
Modes (footprint)	1-channel / 2-channel
RDM configuration	Yes (with RDM option)
UI type	PC config app for ArcMesh option
Local control	No
Notes	ArcMesh wireless control requires optional TX1 transmitter

Electrical

Voltage range	100–240 VAC IEC or 100–277 VAC hard-wired
Input method	Standard luminaire options: Option 1: IEC Connector Option 2: wiring compartment with one half-inch knock-outs for field wiring Emergency luminaire: Wiring compartment with two half-inch knock-outs for field wiring
Inrush	20 A Max at 120 V (25 C)
Wattage (max / standby)	50 W / <3 W
Current draw	0.42 A at 120 V

Thermal

Ambient operating temp	0°–40° C (32°–104° F)
Fan (controllable)	N/A (convection cooled)
BTUs/hour	171

Physical

Materials	Die-cast aluminum and cold-rolled steel
Color options	Black, white or custom color
Mounting options	Yoke
IP rating	IP-20 (dry locations only)
Weight	3.63 kg (8.00 lb)

Note: For non-Emergency and non 277 V versions, IEC Cable purchase is required. See page 3 for ordering details.

Warranty

Full fixture	5 years
LED array	10 years

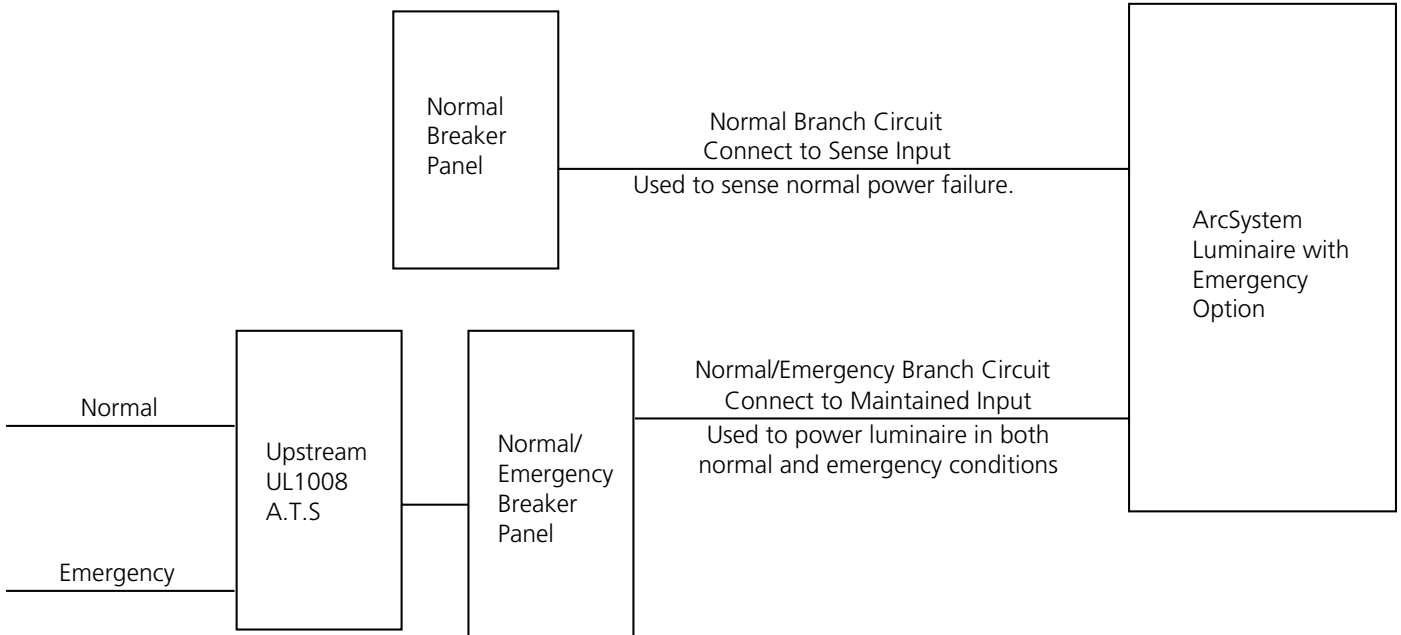
Regulatory and Compliance

Approved regulatory standards	Standard version cETLus Listed Conforms to ANSI/UL STD. 1598 Certified to CSA STD. C22.2 No: 250 CE Compliant EAC Compliant UKCA Compliant Emergency version cETLus Listed Conforms to ANSI/UL STD.924 Certified to CSA STD. C22.2 No: 141 CE Compliant EAC Compliant UKCA Compliant
-------------------------------	---

EMERGENCY CONNECTION

A dual-input emergency version of this luminaire is available. Emergency luminaires require two line-voltage inputs that perform the following functions:

- Normal power/emergency power
- Normal power sense input



The sense input is used to detect whether normal utility power has been lost. This will force the luminaire on at 100% intensity running from the maintained supply. There is no control of the luminaire via wireless- or wired-DMX until normal utility power is restored to the sense input.

PHOTOMETRIC INFO

Lumen table

COLOR TEMP	BEAM ANGLE	FIELD ANGLE	FIELD LUMENS	BEAM LUMENS	MAX CANDELA
3000K	19°	50.7°	2,745	1,182	28,300
3000K	24°	59.5°	3,163	1,587	17,040
3000K	37°	65.7°	3,666	1,871	9,100
3000K	60°	89.3°	3,814	1,984	5,352

IES light files are available on request for all beam angles of ArcSystem.

Full photometry and color information for the ArcSystem family is available in the [ArcSystem Photometry and Color Info Guide](#).

FIXTURE PER CIRCUIT INFORMATION

	ARCP4S / ARCPE4S
120 V, 20 A, High Inrush (Sensor or SensorIQ)	38 luminaires
120 V, 20 A, Standard Inrush (Echo Relay Panel Mains Feed)	38 luminaires
230 V, 10 A, C-Curve (Sensor)	45 luminaires
230 V, 15 A, C-Curve (Sensor)	68 luminaires

NOTE: Inrush has been tested to not be a factor in fixtures per circuit for this luminaire.

POWER CABLE
IEC cable option table

PART NUMBER	CONNECTOR	DESCRIPTION
W6110	Edison	Power Cable, Edison Plug to IEC, 6', Black
W6368-UK	British Square Pin	Power Cable, 13 A British Square Pin to IEC, 2m, Black
W6659	16 A Ceeform	Power Cable, 16 A Ceeform to IEC, 6', Black
W6368-EU	Schuko	Power Cable, Schuko to IEC, 2m, Black
W6658	EU bare ends	Power Cable, Bare Ends to IEC, 2m, Black

NOTE: Power cables required on Non-Emergency and 100–240 V versions of the fixture. Cables not included and must be specified by orderer.z

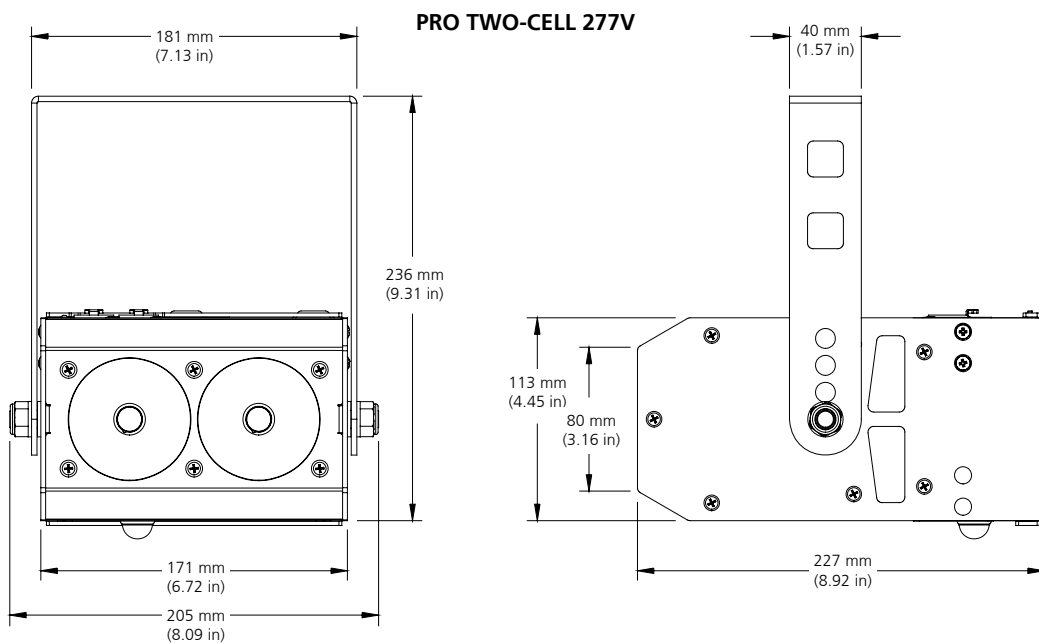
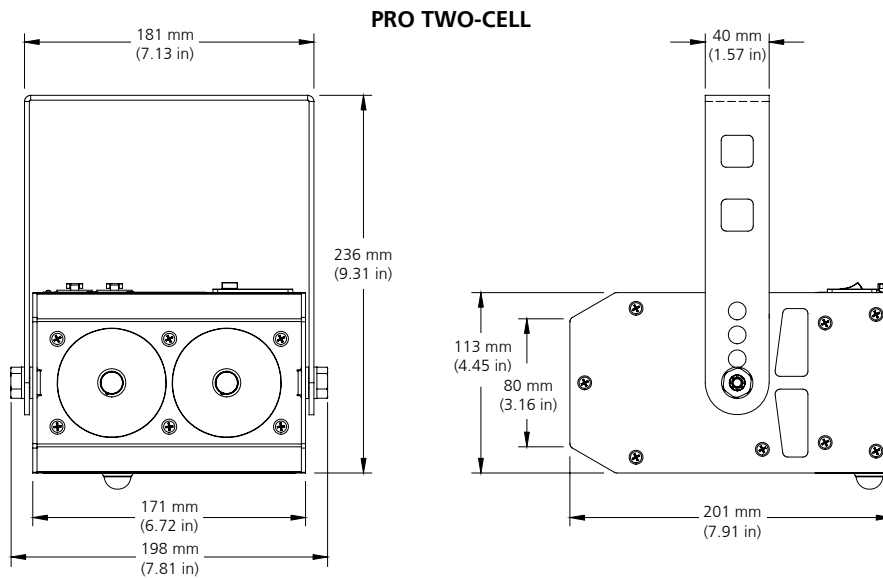
PHYSICAL

Pro Two-Cell Dimensions

MODEL	HEIGHT		WIDTH		DEPTH	
	in	mm	in	mm	in	mm
Pro Two-Cell	9.31	236	7.81	198	7.91	201
Pro Two-Cell 277V	9.31	236	8.09	205	8.92	227

Pro Two-Cell Weights

MODEL	WEIGHT*		SHIPPING WEIGHT	
	lb	kg	lb	kg
Pro Two-Cell	8	3.6	10	4.5
Pro Two-Cell 277V	8	3.6	10	4.5



Corporate Headquarters • Middleton, WI USA

Global Offices • London, UK • Rome, IT • Holzkirchen, DE • Paris, FR • Hong Kong
Dubai, UAE • Singapore • New York, NY • Orlando, FL • Los Angeles, CA • Austin, TX

Copyright©2021 ETC. All Rights Reserved. All product information and specifications subject to change. Rev L 2021-10

*Trademark and patent info: etconnect.com/IE

etconnect.com

