



Type(s)  
Project  
Date  
Notes

**GENERAL INFORMATION**

The compact Pro One-Cell Micro luminaire is a single-cell solution that is ideally suited for recessed installations in areas that require short-throw illumination. With a high grade, painted metal construction, the Pro One-Cell Micro delivers the quality performance of the larger multi-cell versions, in a much smaller form factor.

The Pro One-Cell Micro luminaire requires a direct connection to the D2 Driver (see separate datasheet). In conjunction with the driver unit, up to two luminaires can be independently dimmed using either a wired-DMX connection or the onboard wireless ArcMesh protocol. Alternatively, a wired-only DMX/RDM version of the D2 driver is available for applications where wireless control and configuration is not required.

ArcSystem has been specifically developed for auditorium lighting applications where high-quality, extremely accurate and smooth dimming is required. The use of onboard device management in the driver allows all fixtures to be addressed remotely, ensuring fast and simple installation.

**GENERAL INFORMATION**

**APPLICATIONS**

- Auditoriums
- Work lights
- Lobbies
- Houses of worship
- Retail
- Museums
- Studios

**PRODUCT FEATURES**

- Wired-DMX or wireless (ArcMesh) control protocols
- Wired-only DMX/RDM option available
- Stepless smooth dimming to blackout
- Convection cooled
- Fan-free, silent operation
- Multiple color-temperature and fixture color options

**ORDERING INFORMATION**

**ArcSystem Pro One-Cell Micro**

MODEL	COLOR TEMP	BEAM ANGLE	FIXTURE COLOR	MOUNTING
<b>ARCP1M</b>	<b>2</b> - 2700 K	<b>19</b> - 19°	<b>W</b> - White	<b>A</b> - Recess Adjust <b>Y</b> - Surface Yoke
	<b>3</b> - 3000 K	<b>24</b> - 24°	<b>B</b> - Black	
	<b>35</b> - 3500 K	<b>37</b> - 37°	<b>C</b> - Custom	
	<b>4</b> - 4000 K	<b>60</b> - 60°		

To complete the form, simply select an option at the bottom of each column to populate the last row with your desired part number.

Color Options: Fixtures ship standard in black or white. For additional colors, please contact ETC.



## PRODUCT SPECIFICATIONS (PRO ONE-CELL MICRO)

**Source**

LED details	Lumiled Luxeon® 1202 CoB
Max field lumens	581 (3000 K 37°)
Max total lumens	632 (3000 K 37°)
Lumens per watt	52
L70 rating (hours to 70% output)	50,000 hours

**Color**

Colors used	Fixed white
Color temperature range	2700 K, 3000 K, 3500 K, 4000 K
Fade to warm	N/A

**Optical**

Beam angle range	19, 24, 37, 60
CRI	>90
TM-30-18 data	Refer to ArcSystem photometry guide
Photometry data	See below or refer to ArcSystem photometry guide

**Control (via separate driver)**

Input method	DMX-512 via RJ45 connector
Protocols	DMX, ArcMesh wireless, RDM (option)
Modes (footprint)	1-channel
RDM configuration	Yes (with RDM driver option)
UI type	PC config app for ArcMesh option
Local control	No
Notes	ArcMesh wireless control requires optional TX1 transmitter

**Electrical**

Voltage range	48V DC (requires separate D2 driver to operate)
Input method	4-position (2-pole) Molex® connector with hard-wired 90 cm (36 in) power cord
Inrush (Driver and two fixtures)	D2 Driver: 20 A at 120 VAC
Wattage (typical / standby)	12 W/<1 W
Current draw (via driver)	0.1 A at 120 VAC

**Thermal**

Ambient operating temp	0°–40°C (32°–104°F)
Fan (controllable)	N/A (convection cooled)
BTUs/hour	41

**Physical**

Materials	Die-cast aluminum and cold-rolled steel
Color options	Black, white or custom color
Mounting options	Recessed spring clips (for 3-24mm thick ceilings) or yoke
IP rating	IP-20 (dry locations only)
Weight (adj / yoke)	0.28 kg (0.61 lb)/0.22 kg (0.49 lb)
Notes	See accessories list for power cable options

**Warranty**

Full fixture	5 years
LED array	10 years

**Regulatory and Compliance**

Approved regulatory standards	Standard version cETLus Listed Conforms to ANSI/UL STD.2108 Certified to CSA STD. C22.2 No: 250 CE Compliant EAC Compliant UKCA Compliant  Recessed fixtures additionally conform to ANSI/ UL STD. 2043
-------------------------------	---

ACCESSORIES

Extension Cables

PART NUMBER	DESCRIPTION
ARCDAHBC1	1 m Extension Cable
ARCDAHBC2	2 m Extension Cable
ARCDAHBC3	3 m Extension Cable
ARCDAHBC5	5 m Extension Cable
ARCDAHBC10	10 m Extension Cable

Extension cables to be used between the ARCD2D driver and the Pro One-Cell Micro luminaire.

ARCSYSTEM GOOF RING

The ArcSystem Goof Ring allows any ArcSystem recessed luminaire to be securely installed in a location where the installation hole is larger than the standard prescribed hole size. This easy-to-install device improves usability of ArcSystem Pro luminaires fitting into a range of different hole sizes for each luminaire type.

MODEL	DESCRIPTION
ARCP-GR-1CM-4.5	Goof Ring, Pro One Cell Micro, 4.55 Inch (11.4 cm)
ARCP-GR-1CM-5	Goof Ring, Pro One Cell Micro, 5 Inch (12.7 cm)
ARCP-GR-1CM-6.5	Goof Ring, Pro One Cell Micro, 5.5-6.5 Inch (14-16.5 cm)

Note: -B for Black, -W for White, or -P for Primed Grey required on ArcSystem Goof Rings  
Please review the ArcSystem Goof Ring datasheet for more information

D2 DRIVERS



ArcSystem Pro One-Cell Micro luminaires require an external ArcSystem D2 driver to operate. See separate datasheet or visit [etconnect.com/ArcSystem](http://etconnect.com/ArcSystem) for additional information.

PHOTOMETRY

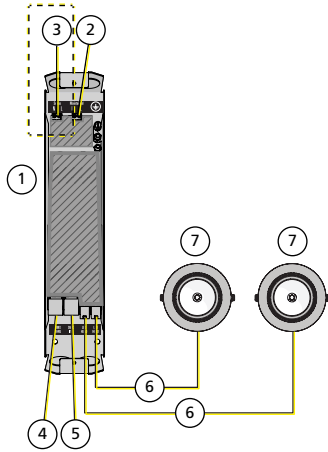
Lumen Table

COLOR TEMP	BEAM ANGLE	FIELD ANGLE	FIELD LUMENS	TOTAL LUMENS	MAX CANDELA
3000 K	19°	19°	518	626	5,125
3000 K	24°	19°	583	675	2,864
3000 K	37°	19°	595	668	2,092
3000 K	60°	19°	672	711	1,057

IES light files are available on request for all beam angles of ArcSystem.

Full photometry information available in the [ArcSystem Photometry and Color Info Guide](#).

D2 DRIVER WIRING DIAGRAM



	Description	Notes
1	ArcSystem Pro D2 Driver	ARCPD2D ARCPED2D (Emergency)
2	Maintained input power	0.5–10 mm <sup>2</sup> (22–6 AWG) line/neutral 2.5–10 mm <sup>2</sup> (6–14 AWG) ground 100–277 VAC, 50/60 Hz ARCPD2D: normal branch circuit ARCPED2D: normal/emergency branch circuit from UL1008 automatic transfer switch (ATS) by others
3	Sense input power (emergency models only)	0.5–10 mm <sup>2</sup> (22–6 AWG) line/neutral 2.5–10 mm <sup>2</sup> (6–14 AWG) ground 100–277 VAC, 50/60 Hz, normal branch circuit (ARCPED2D only)
4	DMX input from external DMX source	RJ45 connector, Cat5e (or equivalent) 0.2 mm <sup>2</sup> (24 AWG) or larger conductors terminated to T568B standard
5	DMX thru to another ArcSystem Pro Driver or other device	RJ45 connector, Cat5e (or equivalent) 0.2 mm <sup>2</sup> (24 AWG) or larger conductors terminated to T568B standard
6	Luminaire cable	18 AWG with Molex Mini-Fit connector, provided attached to luminaire. Extension cables are available (see page 3).
7	ArcSystem Pro One-Cell Micro luminaire ARCP1M	
<b>Note: The illustration is not drawn to scale.</b>		

PHYSICAL

Pro One-Cell Micro Dimensions

MODEL	HEIGHT		WIDTH		DEPTH	
	in	mm	in	mm	in	mm
Adjustable†	3.27	83	3.54	90	3.54	90
Yoke†	3.82	97	3.04	77	1.97	50

†Recommend hole cut-out: 3.11 in/79 mm

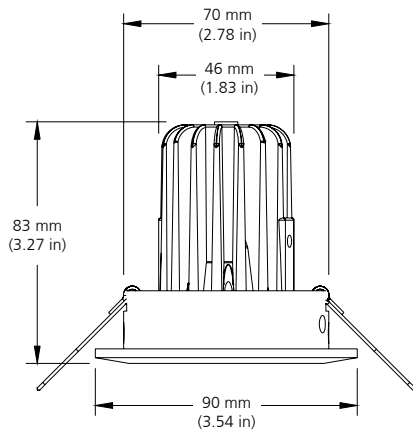
†Yoke-mount dimensions include yoke and locking screws

Pro One-Cell Micro Weights

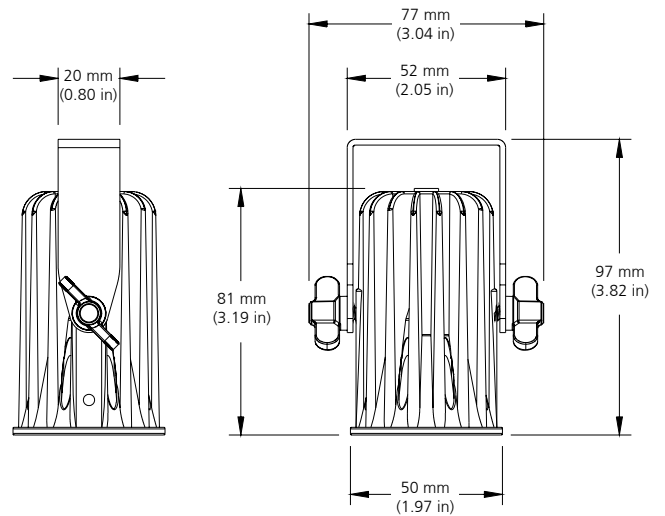
MODEL	WEIGHT†		SHIPPING WEIGHT	
	lb	kg	lb	kg
Adjustable	0.61	0.28	0.67	0.30
Yoke	0.49	0.22	0.55	0.25

†Does not include mounting hardware

PRO ONE-CELL MICRO ADJUSTABLE



PRO ONE-CELL MICRO YOKE



Corporate Headquarters • Middleton, WI USA

Global Offices • London, UK • Rome, IT • Holzkirchen, DE • Paris, FR • Hong Kong  
Dubai, UAE • Singapore • New York, NY • Orlando, FL • Los Angeles, CA • Austin, TX

Copyright©2023 ETC. All Rights Reserved. All product information and specifications subject to change. Rev E 2023-05

\*Trademark and patent info: [etcconnect.com/IE](http://etcconnect.com/IE)

[etcconnect.com](http://etcconnect.com)