



Type(s)
Project
Date
Notes

GENERAL INFORMATION

The compact, Pro Four-Cell Round is ideal for use in medium- to long-throw, pendant style applications. The luminaire is supplied with half-inch and M10 captive nut plates for connecting threaded rod, providing multiple hanging options. Manufactured from high-grade, powder-coated aluminum and steel, the luminaire is entirely convection cooled for silent operation.

The Pro Four-Cell Round includes an onboard power supply and connects directly to a 100–240V mains supply. Intensity control is achieved either with a direct, wired-DMX connection to the luminaire’s RJ45/etherCON connectors, or wirelessly using the separate ArcMesh TX1 Transmitter.

ArcSystem has been specifically developed for auditorium lighting applications where high-quality, extremely accurate and smooth dimming is required. The use of onboard device management in the driver allows all luminaires to be addressed remotely, ensuring fast and simple installation.

GENERAL INFORMATION

APPLICATIONS

- Auditoriums
- Work lights
- Lobbies
- Houses of worship
- Museums
- Studios

FEATURES

- Wired DMX or wireless (ArcMesh) control protocols
- Stepless, smooth dimming to absolute zero
- Convection cooled
- Fan-free, silent operation
- Various color options
- Available as a dual-input emergency version

ORDERING INFORMATION

ArcSystem Pro Four-Cell Round

| MODEL | CONTROL | FADE-TO-WARM | COLOR TEMP | BEAM ANGLE | FIXTURE COLOR | MOUNTING | REGULATORY |
|----------------------------|----------------------------|--|---|--|---|---|---|
| ARCP4R - Standard | BLANK - DMX/ArcMesh | BLANK - Standard F - Fade To Warm | 2 - 2700k 3 - 3000k 35 - 3500k 4 - 4000k 5 - 5000k | 19 - 19° 24 - 24° 37 - 37° 60 - 60° | W - White B - Black C - Custom | H - Fixed hanging point (1/2" or M10 thread) | BLANK - ETL compliant -CE - CE compliant |
| ARCPE4R - Emergency | RDM - DMX/RDM | (only available with 2700K and 3000K options) | | | | | |

To complete the form, simply select an option at the bottom of each column to populate the last row with your desired part number.

Color Options: Fixtures ship standard in black or white. For additional colors please contact ETC.

Note: For Pendant Options please consult the ArcSystem Pro Four-Cell Pendant Datasheet at etcconnect.com



PRODUCT SPECIFICATIONS

Source

| | |
|----------------------------------|---|
| LED details | Bridgelux Vero 13 (standard) Vesta 15 (FTW) |
| Max field lumens | 8,445 (5000 K 37°) |
| Max total lumens | 9,152 (5000 K 37°) |
| Lumens per watt | 91 |
| L70 rating (hours to 70% output) | 50,000 hours |

Color

| | |
|---------------------------|--|
| Colors used | Fixed white |
| Color temperature options | 2700 K / 3000 K / 3500 K / 4000 K / 5000 K |
| Fade to warm | Optional on 2700 K and 3000 K |

Optical

| | |
|------------------|--|
| Beam angle range | 19 / 24 / 37 / 60 |
| CRI | >90 |
| TM-30-18 Data | Refer to ArcSystem photometry guide |
| Photometry Data | See below or refer to ArcSystem photometry guide |

Control

| | |
|-------------------|--|
| Input method | DMX-512 via RJ45/etherCON connector |
| Protocols | DMX, ArcMesh wireless, RDM (option) |
| Modes (footprint) | 1-channel / 4-channel |
| RDM configuration | Yes (with RDM option) |
| UI type | PC config app for ArcMesh option |
| Local control | No |
| Notes | ArcMesh wireless control requires optional TX1 transmitter |

Electrical

| | |
|-------------------------|---|
| Voltage range | Standard: 100-240 VAC Emergency: 100-125 VAC |
| Input method | IEC Connector Emergency luminaire supplied with two, hard-wired, three-conductor, 18AWG 185cm (72in) NEMA 5-15 15 A 125 V Plug |
| Wattage (max / standby) | 100 W / <3 W |
| Current draw | 0.84 A at 120 VAC |
| Power Factor | >0.9 |
| Driver and Power Supply | Integrated and Internal, no remote driver options |

Thermal

| | |
|------------------------|-------------------------|
| Ambient operating temp | 0°–40° C (32°–104° F) |
| Fan (controllable) | N/A (convection cooled) |
| BTUs/hour | 341 |

Physical

| | |
|------------------|---|
| Materials | Die-cast aluminum and cold-rolled steel |
| Color options | Black, white or custom color |
| Mounting options | Supplied with the following adapter plates for onsite installation: - Half-inch threaded captive nut - M10 threaded captive nut |
| IP rating | IP-20 (dry locations only) |
| Weight | 5.22 kg (11.5 lb) |

Note: For non-Emergency and non 277 V versions, IEC Cable purchase is required. See page 3 for ordering details.

Warranty

| | |
|--------------|----------|
| Full fixture | 5 years |
| LED array | 10 years |

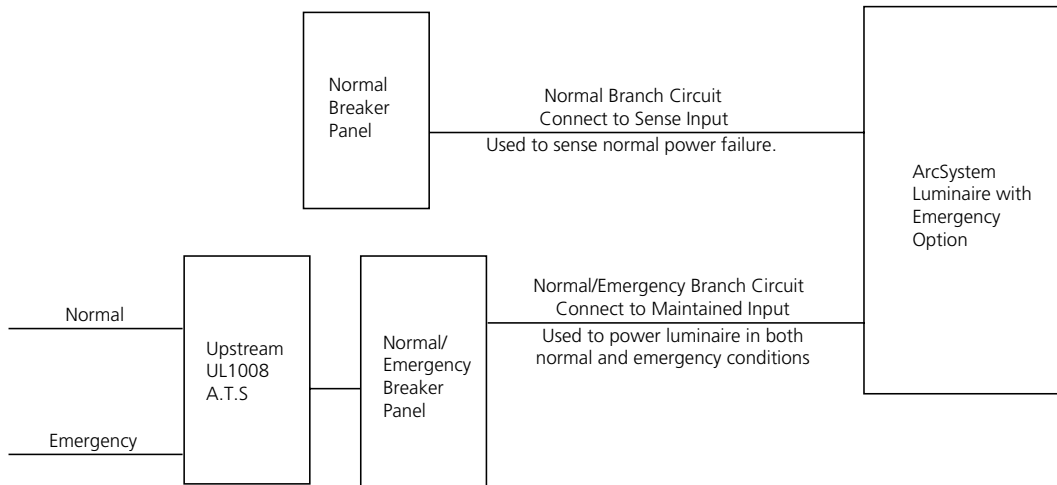
Regulatory and Compliance

| | |
|-------------------------------|---|
| Approved regulatory standards | <p>Standard version: cETLus Listed Conforms to ANSI/UL STD.1598 Certified to CSA STD. C22.2 No: 250 CE Compliant EAC Compliant UKCA Compliant</p> <p>Emergency version: cETLus Listed Conforms to ANSI/UL STD.924 Certified to CSA STD. C22.2 No: 141 CE Compliant EAC Compliant UKCA Compliant</p> |
|-------------------------------|---|

EMERGENCY CONNECTION

A dual-input emergency version of this luminaire is available. Emergency luminaires require two line-voltage inputs that perform the following functions:

- Normal power/emergency power
- Normal power sense input



The sense input is used to detect whether normal utility power has been lost. This will force the luminaire on at 100% intensity running from the maintained supply. There is no control of the luminaire via wireless- or wired-DMX until normal utility power is restored to the sense input.

PHOTOMETRY

Lumen table

| COLOR TEMP | BEAM ANGLE | FIELD ANGLE | FIELD LUMENS | BEAM LUMENS | MAX CANDELA |
|------------|------------|-------------|--------------|-------------|-------------|
| 3000 K | 19° | 51.9° | 5,414 | 2,356 | 56,160 |
| 3000 K | 24° | 60.0° | 6,302 | 3,116 | 32,710 |
| 3000 K | 37° | 65.6° | 7,085 | 3,622 | 17,890 |
| 3000 K | 60° | 84.2° | 7,334 | 4,115 | 9,880 |

IES light files are available on request for all beam angles of ArcSystem.

Full photometry and color information for the ArcSystem family is available in the [ArcSystem Photometry and Color Info Guide](#).

FIXTURE PER CIRCUIT INFORMATION

| | ARCP4R / ARCPE4R |
|---|-------------------------|
| 120 V, 20 A, High Inrush (Sensor or SensorIQ) | 15 luminaires |
| 120 V, 20 A, Standard Inrush (Echo Relay Panel Mains Feed) | 15 luminaires |
| 230 V, 10 A, C-Curve (Sensor) | 14 luminaires |
| 230 V, 15 A, C-Curve (Sensor) | 21 luminaires |

NOTE: Inrush has been tested to not be a factor in fixtures per circuit for this luminaire.

POWER CABLE
IEC cable option table

| PART NUMBER | CONNECTOR | DESCRIPTION |
|--------------------|--------------------|---|
| W6110 | Edison | Power Cable, Edison Plug to IEC, 6 ft, Black |
| W6368-UK | British Square Pin | Power Cable, 13 A British Square Pin to IEC, 2 m, Black |
| W6659 | 16 A Ceeform | Power Cable, 16 A Ceeform to IEC, 6 ft, Black |
| W6368-EU | Schuko | Power Cable, Schuko to IEC, 2 m, Black |
| W6658 | EU bare ends | Power Cable, Bare Ends to IEC, 2 m, Black |

NOTE: Power cables required on Non-Emergency and 100–240 V versions of the fixture. Cables not included and must be specified by orderer.

PHYSICAL

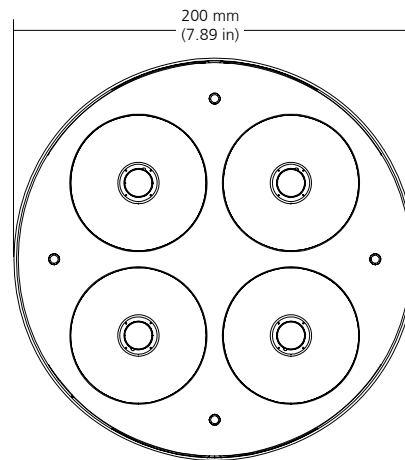
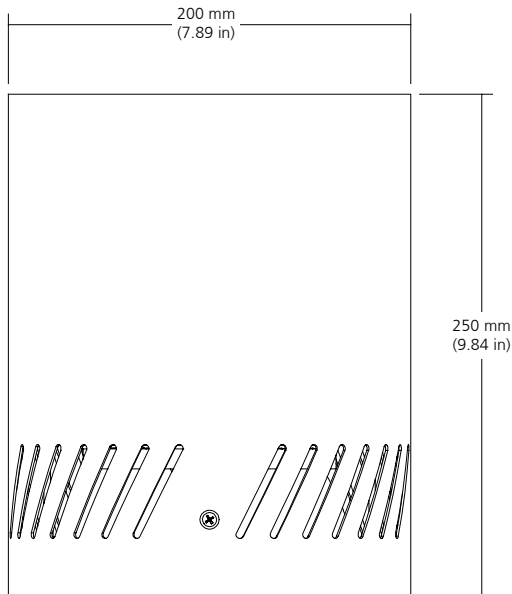
Pro Four-Cell Round Dimensions

| MODEL | HEIGHT | | WIDTH | | DEPTH | |
|---------------------|--------|-----|-------|-----|-------|-----|
| | in | mm | in | mm | in | mm |
| Pro Four-Cell Round | 9.84 | 250 | 7.89 | 200 | 7.89 | 200 |

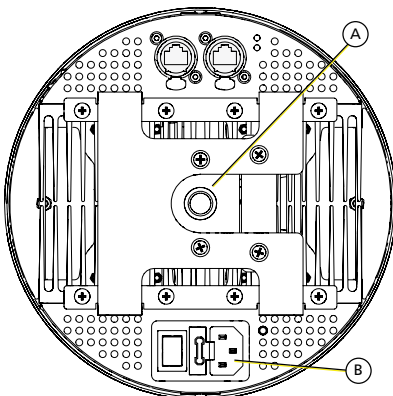
Pro Four-Cell Round Weights

| MODEL | WEIGHT* | | SHIPPING WEIGHT | |
|----------------------|---------|------|-----------------|------|
| | lb | kg | lb | kg |
| Pro- Four-Cell Round | 12.5 | 5.67 | 14.3 | 6.49 |

*Does not include mounting hardware



MOUNTING METHOD



Top View

| | DESCRIPTION | NOTES |
|----------|---------------|---|
| A | Threaded nut | Threaded nuts with 1/2-13 inch and M10 x 1.5 threads are included. A threaded nut with M12 x 1.75 threads is available separately. Use the threaded nut to attach the luminaire to your threaded rod, bolt, or clamp (not included). |
| B | IEC connector | Standard version with IEC connector pictured. Emergency versions have hard-wired power leads. |

Note: The illustration is not drawn to scale. Wiring is omitted for clarity.



Corporate Headquarters • Middleton, WI USA
 Global Offices • London, UK • Rome, IT • Holzkirchen, DE • Paris, FR • Hong Kong
 Dubai, UAE • Singapore • New York, NY • Orlando, FL • Los Angeles, CA • Austin, TX
 Copyright©2022 ETC. All Rights Reserved. All product information and specifications subject to change. Rev N 2022-12
 *Trademark and patent info: etconnect.com/IE

etconnect.com