



Type(s)
Project
Date
Notes

GENERAL INFORMATION

ArcLamp is a retrofit LED lamp specifically designed for auditoriums where flawless dimming is critical. Each lamp contains advanced control technology ensuring latency-free activation of multiple lamps on a single circuit.

The 24 V ArcLamp connects to a dedicated remote power supply - typically located in a dimmer/plant room - utilizing the same cable that connects an existing incandescent lamp to a dimmer. Re-purposing this existing incandescent cable allows for simple, non-invasive installation of ArcLamp.

The use of onboard device management in the driver allows all fixtures to be addressed remotely, ensuring fast and simple installation.

ArcLamp FTW (Fade-To-Warm) includes an additional six amber emitters and a proprietary internal algorithm to warm the color temperature of the lamp as it fades mimicing incandescent red shift.

ArcLamp Flicker takes the 2700 K FTW version of ArcLamp, and adds the ability to simulate a random flickering candle flame perfect for hoespitality or themed environments.

APPLICATIONS

- Auditoriums
- Lobbies
- Houses of worship
- Museums
- Retail

FEATURES

- Designed for use with ArcLamp Driver
- Smooth dimming to zero
- Silent operation
- Frosted or clear glass options
- Optional random flicker effect for 2700K FTW version

ORDERING INFORMATION

ArcLamp

LAMP SERIES	BASE	GLOBE/CANDLE	VOLTAGE	GLASS	COLOR TEMP	
ARCL - ArcLamp fixed white	E12	G - Globe	24 - 24V	F - Frosted	2700	
ARCLF - ArcLamp FTW	E14	C - Candle		C - Clear	3000*	
ARCLFF - ArcLamp Flicker	E26					(NOTE: 3000K color temp available for ARCL series only.)
	E27					
	B15					
	B22					

Note: An ArcLamp Driver is required to operate this product. Please order separately

IMPORTANT: 24 V ArcLamp must not be connected to line voltage

Example order code: ARCL12C24F2700; This order code is for an ArcLamp candle, E12 Base, 24V, Frosted, 2700K



PRODUCT SPECIFICATIONS

Source

LED details	Seoul semiconductor Y19
Max total lumens	280 lumen output
Lumens per watt	63.6
LED refresh rate	250 Hz
L70 rating (time to 70% output)	36,000 hours

Color

Colors used	Fixed White	Fade-To-Warm	Fade-To-Warm Flicker
Color temperature	2700 3000	2700	2700

Optical

CRI	>90 (typical 94)
TM-30-18 data	Refer to charts below
Photometry data	IES files available at www.etconnect.com/ArcLamp

Control (via separate driver)

Protocols	DMX512 and ArcMesh DMX512 and RDM
Modes (footprint)	1 (1-channel)
Flicker lamp control	Flicker Lamp uses a randomly generated on-board flicker algorithm with the following 1-channel mapping: <ul style="list-style-type: none"> - 0 - 127 : 0-100% intensity with random flicker generator active - 128 : Lamp off - 129 - 255 : 0-100% intensity with no flicker
RDM configuration	Yes, Via ArcLamp Driver
UI type	Remote, wireless configuration using ArcSystem commissioning software
Local control	No
Notes	DMX control (RDM configuration via external DMX/RDM controller)

Electrical

Operating voltage	24 VDC with PPW data technology
Input method	24 VDC via ArcLamp Driver
Maximum lamps per ArcLamp Driver	See ArcLamp Driver Datasheet
Wattage (typical)	4.4 W
Max current draw	180 mA
Notes	Volt drop calculator available at: https://www.etconnect.com/ArcLampCalculator/

Thermal

Ambient operating temp	0°–35° C (32°–95° F)
Fan (controllable)	N/A (convection cooled luminaire)
BTUs/hour	15.1
Thermal management	Integrated, active heat management system limits lamp intensity if max temperature is temporarily exceeded

Physical

Materials	Ceramic and Glass
Glass options	Frosted or Clear
Envelope shapes	Globe or Candle
Lamp bases	E12 E14 E26 E27 B15 B22
IP rating	IP-20
Weight	Product weight: 0.073 kg (0.16 lb) Shipping weight: 0.082 kg (0.18 lb)
Included accessories	ArcLamp Driver not included

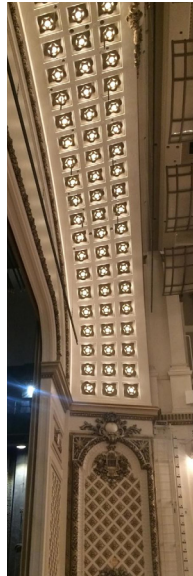
Warranty

Full fixture	5 years
LED Array	10 years
Website	https://www.etconnect.com/Support/Warranty.aspx

Regulatory and compliance

Approved regulatory standards	cULus Recognized to UL 1993 and CSA C22.2 No. 1993; cULus Classified Retrofit Kit to UL 1598C and CSA TIL B-79A CE Compliant EAC Compliant UKCA Compliant
-------------------------------	---

FEATURES



GO LED... INCONSPICUOUSLY

Modernize your lighting system while preserving your classic aesthetic. The ArcLamp's compact design with multiple base, finish, and shape options makes it an easy fit in any space. Achieve high-quality light, 90% energy savings, and stepless dimming in chandeliers, sconces, wall lights, proscenium lights, and more. Beautiful lighting along with Fade to Warm technology means your audience will never know the difference—but your energy bill will.

FLICKER

The specialized ArcLamp Flicker creates a warm candle effect in your space. Available as a 2700 K Fade to Warm lamp, the Flicker version randomly flickers to imitate candlelight. Add in complete dimming control and award winning Fade to Warm technology and you have a light source that is more versatile than ever before.



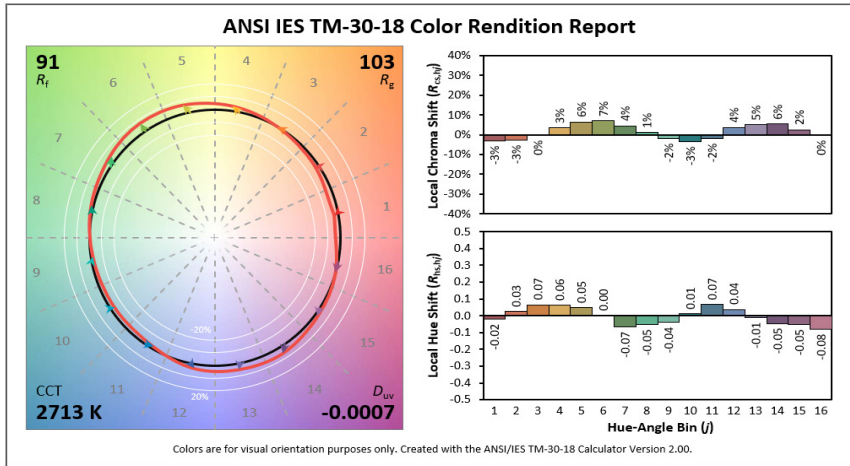
FADE TO WARM

The award-winning Fade to Warm technology beautifully mimics the red-shift of an incandescent light source as it dims. This option creates a warm, familiar feeling for audiences just as a performance starts or ends. Make the change to LED without compromising on the indelible feeling of the perfect light fade.

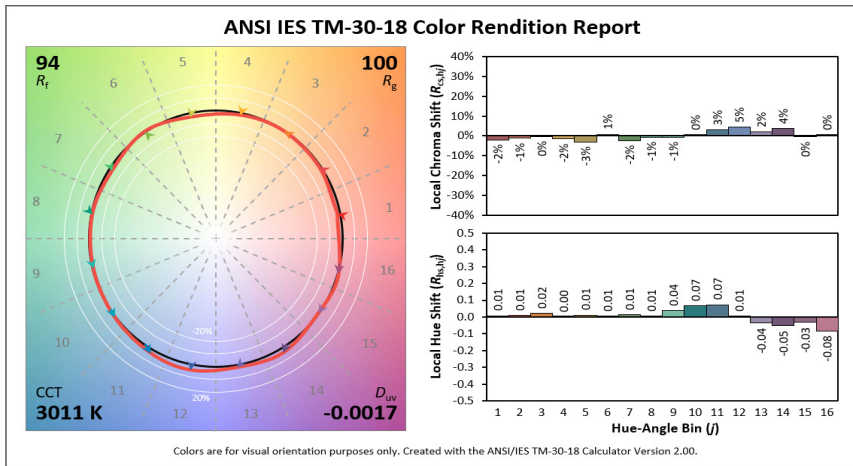


COLOR RENDERING

ArcLamp Fixed 2700 K / Fade-to-Warm / Flicker



ArcLamp Fixed 3000 K



PHYSICAL

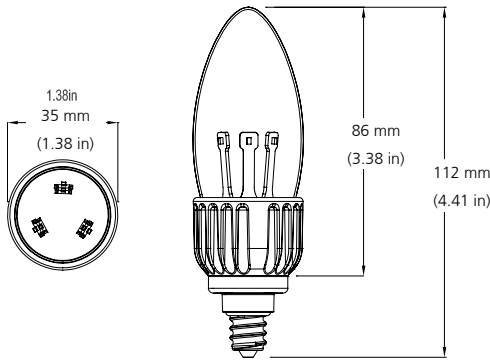
Product Dimensions

Model	Height		Width		Depth	
	in	mm	in	mm	in	mm
E12 Candle	4.41	112	1.38	35	1.38	35
E12 Globe	3.46	88	1.77	45	1.77	45
E26 Candle	4.45	113	1.38	35	1.38	35
E26 Globe	3.54	90	1.77	45	1.77	45

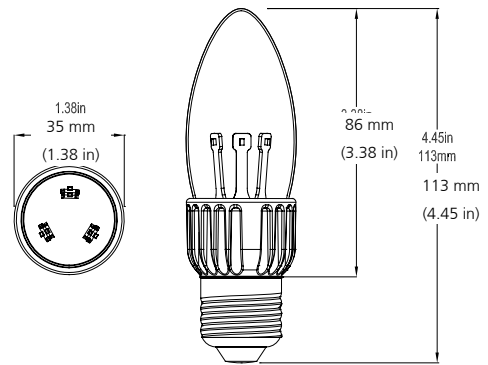
Product Weight

Model	Weight		Shipping weight	
	lb	kg	lb	kg
E12 Candle	0.16	0.073	0.18	0.082
E12 Globe	0.16	0.073	0.18	0.082
E26 Candle	0.16	0.073	0.18	0.082
E26 Globe	0.16	0.073	0.18	0.082

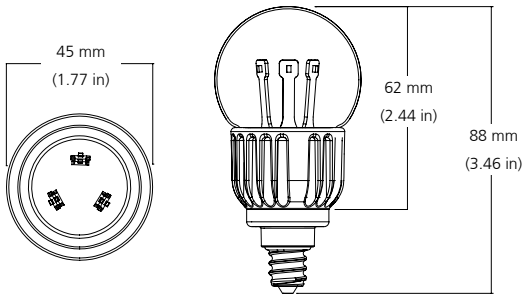
E12 CANDLE



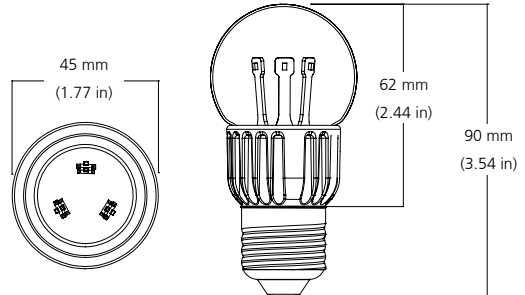
E26 CANDLE



E12 GLOBE



E26 GLOBE



Corporate Headquarters • Middleton, WI USA
 Global Offices • London, UK • Rome, IT • Holzkirchen, DE • Paris, FR • Hong Kong
 Dubai, UAE • Singapore • New York, NY • Orlando, FL • Los Angeles, CA • Austin, TX
 Copyright©2023 ETC. All Rights Reserved. All product information and specifications subject to change. Rev H 2023-03
 *Trademark and patent info: etcconnect.com/IE

etcconnect.com