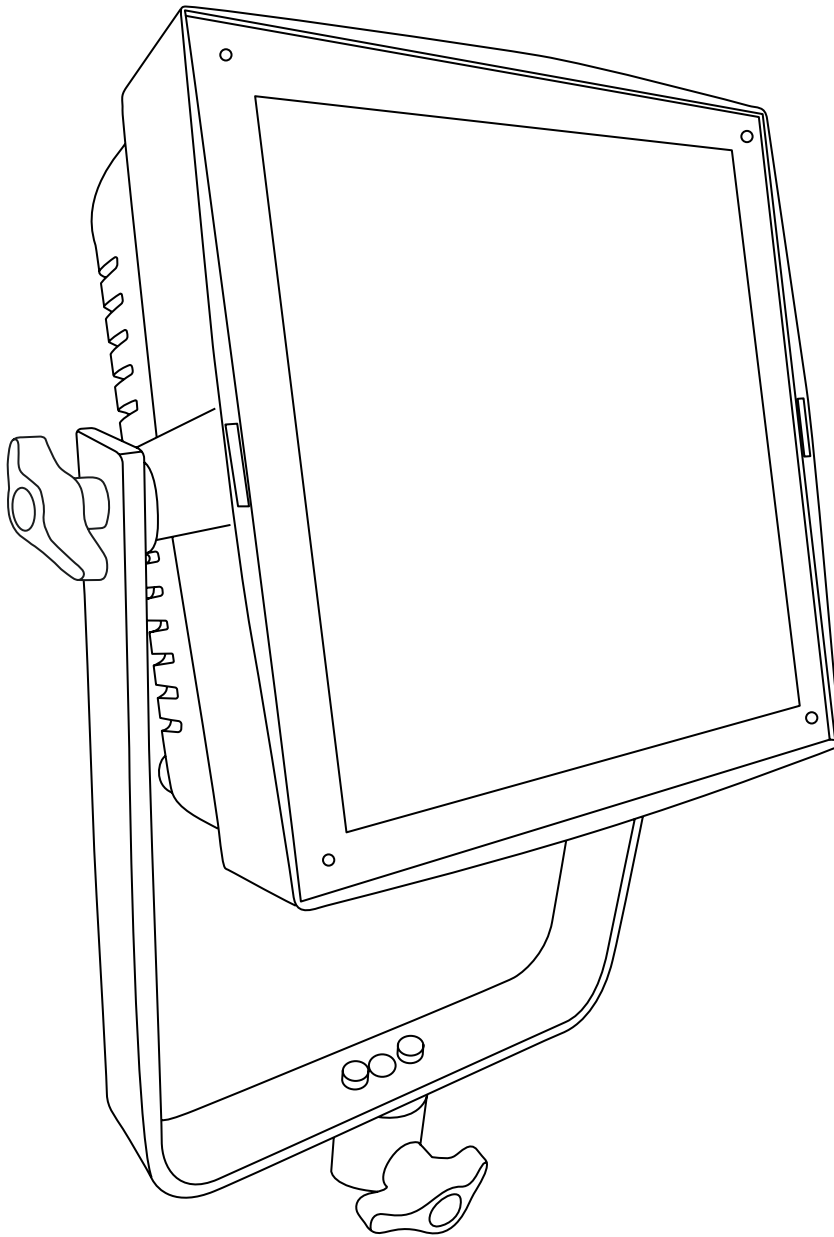


Lupo
Made in Italy



Cod 603

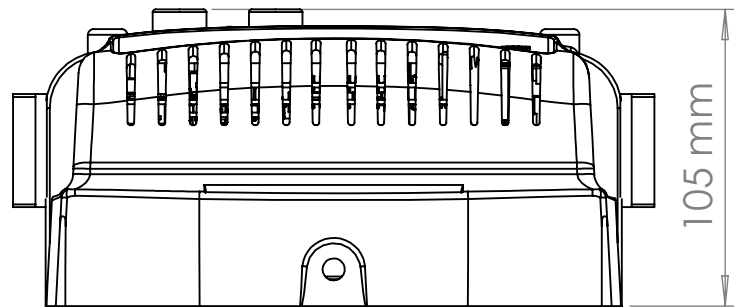
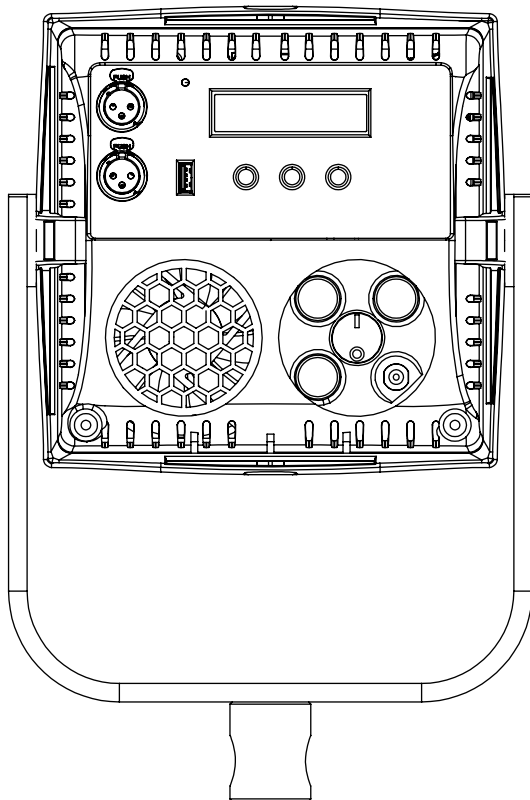
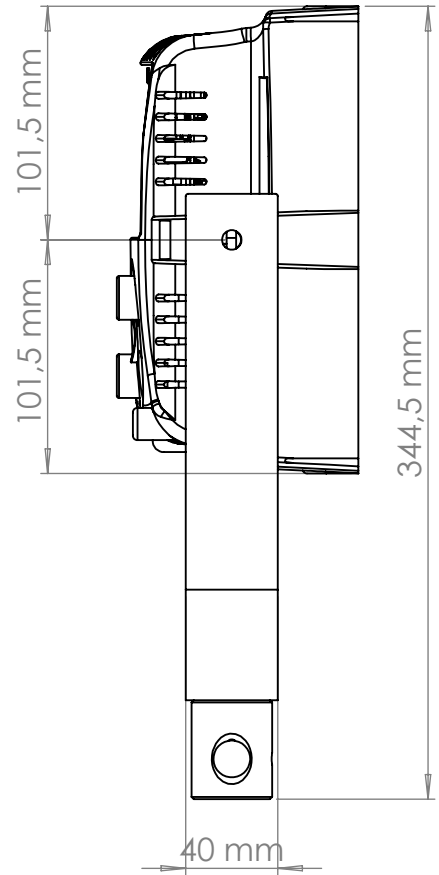
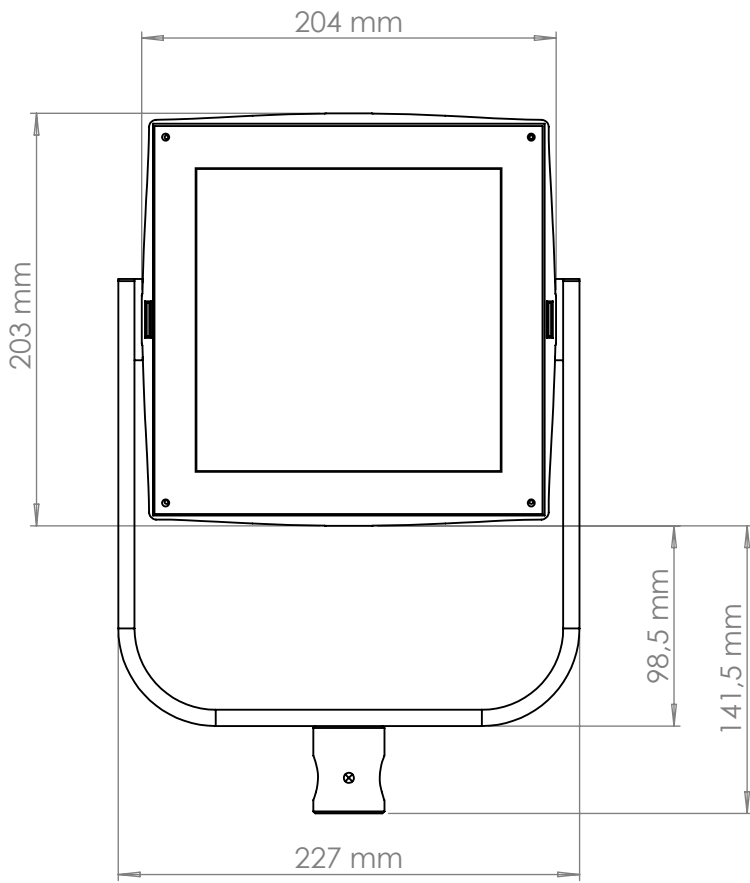
Actionpanel Dual Color Soft

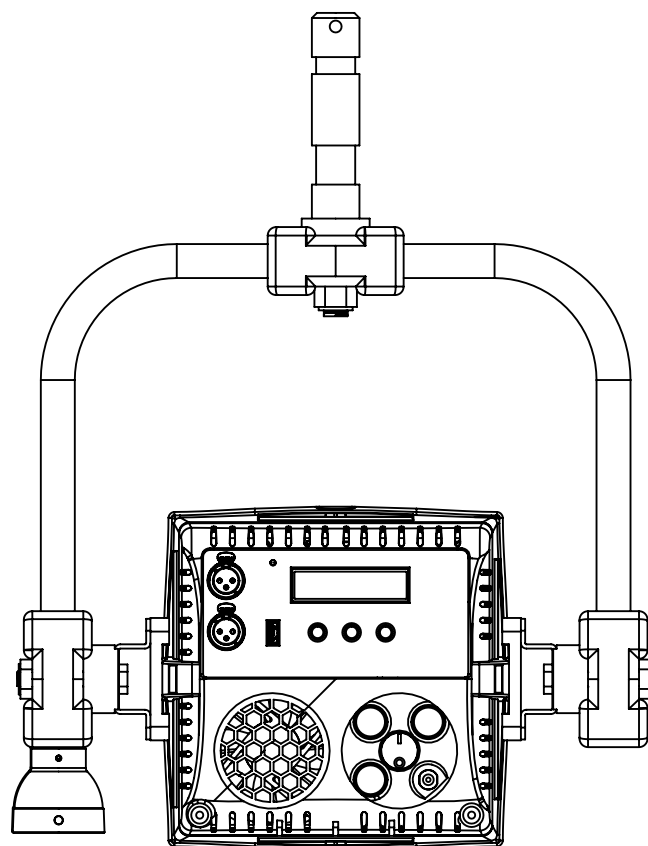
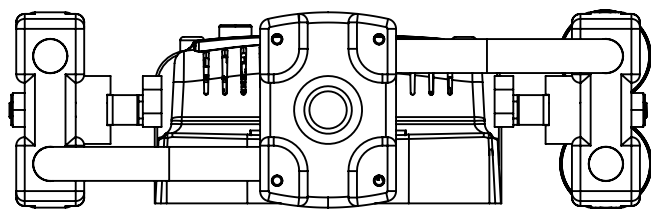
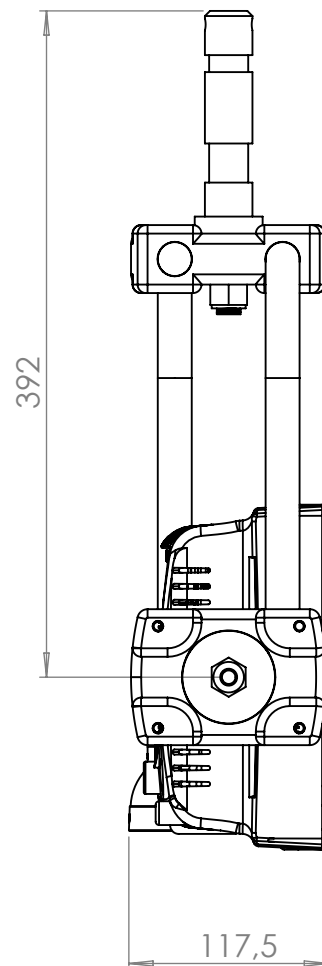
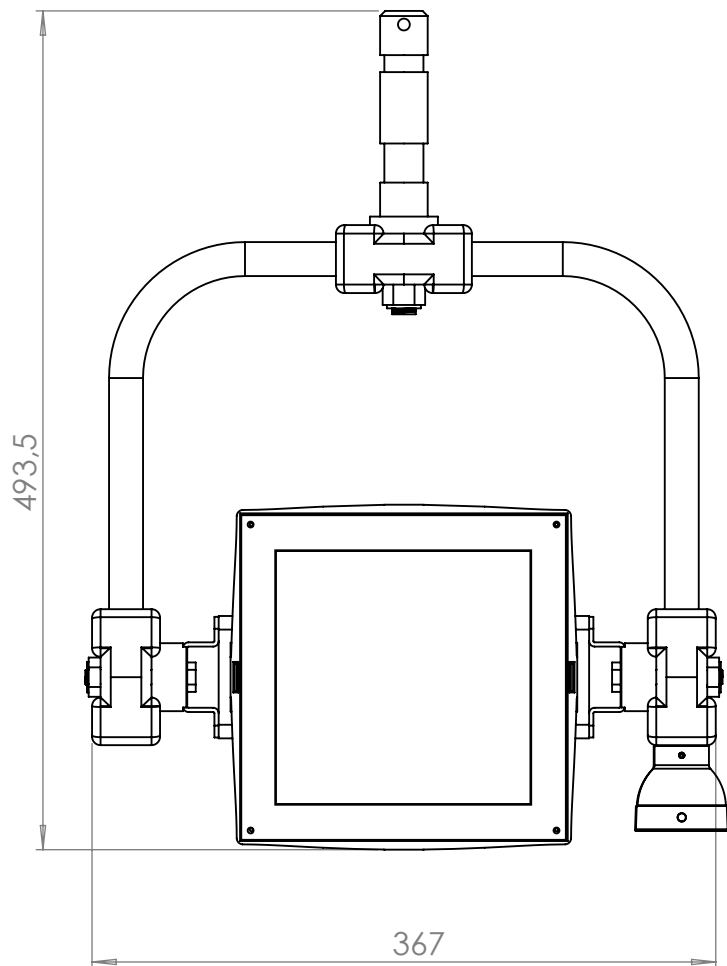
Technical Data

Dimensions (cm)	203 x 204 x 105 mm
Dimensions (in)	7.9 x 8 x 4.1 in
Weight (kg)	2,15 kg
Weight (lb)	4.7 lb
CRI (Colour Rendering Index)	> 96, typical 97
TLCI (Television Lighting Consistency Index)	98
Estimated LED lifetime (L80)	50,000 hours
Dimmer 0 - 100	included
Dimming curves mode	Linear, Exponential, Logarithmic
Connection for 14.8 V battery with jack connector	included
Standard XLR 5 pin connectors to DMX console	included
DMX module	included
DMX (bit)	8 bit / 16 bit
Watt consumption	50 W
Firmware upgrades	through USB port
Colour temperature	2800 K - 6500 K
Voltage AC	90 V - 240 V
Light beam	40°
Frequency (input)	50 / 60 Hz
Compliance	CE
Remote control	Bluetooth Long Range / DMX / RDM
Ambient temperature	Max: + 45°C / Min: - 10°C
Power factor	0.96

Photometric data	6500 K	5600 K	3200 K
Distance			
Lux at 1 m - 3.2 ft	1820	1800	1750
Lux at 2 m - 6.5 ft	440	430	410
Lux at 3 m - 9.8 ft	220	210	192
Lux at 4 m - 13.1 ft	135	125	116
Lux at 5 m - 16.4 ft	85	81	76

Technical Drawing





Lupo
Made in Italy

Lupo srl - Via V. Sassi 28 Collegno (TO) - 10093 - Italy
Phone: +39 011 411 9919 / e-mail: contact@lupo.it
website: www.lupo.it