

Prodigy Low Profile Hoist Series



Type(s)
Project
Date
Notes

GENERAL INFORMATION

APPLICATIONS

Prodigy P1 hoists provide a simple, low-profile way to manipulate stage electrics, scenery, and curtains for setup, storage, and performance. The innovative technologies in Prodigy hoists reduce the space and structure requirements for stage rigging systems.

Fixed speed P1 hoists resolve access challenges to setting up lighting plots and masking drapes by eliminating the need to climb ladders or scaffolds. Instead, battens can be conveniently lowered to any working level, allowing easy access for changing, servicing, and moving items that can then be raised to performance or storage positions high above the stage floor.

Variable speed P1 hoists can raise and lower main drapes and scenery elements as quickly as 55m/min (180 fpm). Combined with ETC's powerful and intuitive Foundation control system, Prodigy hoists give directors and designers artistic access to the potential of your space.

FEATURES

- The revolutionary Prodigy Hybrid Drum manages up to eight lift lines with 15 m (50 ft) of travel in a machine 1/3 the size of comparable hoists
- Hoists can be installed upright, underhung or vertically (EXO only) and support use with traditional upright or underhung head blocks and loft blocks
- Available soft start/stop models reduce the structural stress of moving large loads
- Compression Tube snaps in place to interface with facility structure and neutralize additional lateral forces on the building
- The unique Right Angle Cable Adjuster (RACA) clamp permits rapid fine trim adjustment under load, and saves up to 360 mm (14 in) of required dead hang in building height
- Motor control electronics are included in the hoist Powerhead, no separate motor control cabinet required
- Safety Features Supplied as Standard:
 - Redundant braking
 - Load cells
 - Load profiling
 - Automated self-test
 - Slack line detection
 - Limit switches
 - Encoders

BENEFITS OF PRODIGY HOISTS

- Lightweight – less load on the building and easy to install
- No additional lateral forces imposed on the building – lateral forces neutralized by available Compression Tube
- Innovative cable management systems
- Anywhere-positioning of loft blocks along Compression Tube so lift line placement is not dependent on building structure layout
- May be attached to almost any structure that can support the weight of the hoist plus the lifted load
- Low noise operation
- Powerful, safe, and easy-to-use controllers
- 24/7/365 support for every system in your space

REGULATORY AND COMPLIANCE

- cULus Listed
- PLASA/ANSI E1.6-1

HOIST DATA

Hoist Working Load Limit (WLL)	360–900 kg (900–2,000 lb)
RACA Working Load Limit (WLL)	190 kg (420 lb)
Travel distance	15 m (50 ft)
Lift lines	5 mm (3/16 in); up to eight* lines
Average Speed	10 m/min (30 fpm) fixed speed 55 m/min (0–180 fpm) variable speed
Powerhead weight	135 kg (395 lb) - 300 kg (660 lb)
Dynamic load	1.2 G
Motor operating temperature range	5°–40° C (41°–104° F)

*Hoists supporting Prodigy Cable Management systems provide a max of 7 lifting lines.



Prodigy Low Profile Hoist Series

STANDARD SAFETY FEATURES

- Dual braking system consisting of a motor brake and redundant load side mechanical brake
- Rotary limit switches: upper limit, upper overtravel, lower limit, lower overtravel
- Slack line detection: a lift line slack condition will automatically stop the hoist from downward travel
- Load cell: provides Load Profiling and continuous monitoring of loads to prevent gross overload
- Load profiling: a user-recordable dynamic function to detect load deviations during travel
- Hardwired E-stop: each hoist has its own dedicated E-stop contactor
- Overcurrent protection: integrated overcurrent circuit to protect against electrical overloads

COMPRESSION TUBE MOUNTING			
Min Qty of Beam Clamps Required	Beam Clamp Spacing	Tube Weight	Standard Mounting Brackets Available for:
1 @ Powerhead + 1 per section of Compression Tube	Max 4.3 m (14 ft) on center	5.2 kg/m (3.5 lbs/ft)	W-, S-, or I-Beam / Bar Joist / Unistrut*

*Structure must be capable of supporting the hoist system plus the working load.

LOADING INFORMATION (LIFT LINE PLACEMENT)						
Loading	Min Load Per Line	Max Load Per Line	Loft Block Locations With Compression Tube			Max # of Lift Lines Available
			First Loft Block	Blocks along Compression Tube		
Distributed load over the length of the batten	12 kg (25 lb)	190 kg (420 lb)	1200 mm (4 ft) min distance from the Powerhead nose or 25 mm (1 in) from Powerhead nose with optional mule block	1200 mm (4 ft) min spacing between loft blocks [2400 mm (8 ft) min spacing to 2nd loft block if mule block is used]	3650 mm (12 ft) max spacing between loft blocks with 48.3 mm x 3.7 mm (1.5 in schedule 40) steel pipe batten 3050 mm (10 ft) max with ETC WebPipe batten	8* *Max of 7 lifting lines if hoist is supporting Prodigy Cable Management

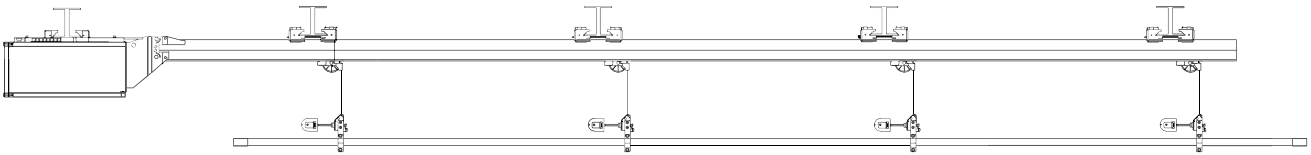
HOIST INFORMATION									
Powerhead Model	Powerhead Weight	Dimensions (H x L x W)	Lifting Capacity	Avg Speed	Power Input	Motor Power	Current Draw	Inrush Draw	
P650E P800G EXO P900G	180 kg (395 lb) 205 kg (450 lb)*	370x1210x410 mm (15x48x16 in) 460x1245x410 mm (18x49x16 in)	360 kg (900 lb)	10 m/min (30 fpm)	208 V 60 Hz 3 wire+gnd	1.1 kW (1.5 hp)	5.0 A	16.8 A	
P650E/480 P800G/480 EXO P900G/480	180 kg (395 lb) 205 kg (450 lb)*	370x1210x410 mm (15x48x16 in) 460x1245x410 mm (18x49x16 in)	360 kg (900 lb)	10 m/min (30 fpm)	480 V 60 Hz 3 wire+gnd	1.1 kW (1.5 hp)	2.5 A	8.4 A	
P1000E P1300G EXO P1400G	180 kg (395 lb) 205 kg (450 lb)*	370x1210x410 mm (15x48x16 in) 460x1245x410 mm (18x49x16 in)	635 kg (1400 lb)	10 m/min (30 fpm)	208 V 60 Hz 3 wire+gnd	1.1 kW (1.5 hp)	6.5 A	16.8 A	
P1000E/480 P1300G/480 EXO P1400G/480	180 kg (395 lb) 205 kg (450 lb)*	370x1210x410 mm (15x48x16 in) 460x1245x410 mm (18x49x16 in)	635 kg (1400 lb)	10 m/min (30 fpm)	480 V 60 Hz 3 wire+gnd	1.1 kW (1.5 hp)	3.25 A	8.4 A	
P1500E P1900G EXO P2000G	265 kg (580 lb) 300 kg (660 lb)*	460x1295x460 mm (18x51x18 in) 535x1375x460 mm (21x54x18 in)	900 kg (2000 lb)	10 m/min (30 fpm)	208 V 60 Hz 3 wire+gnd	1.5 kW (2.0 hp)	10.5 A	32.6 A	
P1500E/480 P1900G/480 EXO P2000G/480	265 kg (580 lb) 300 kg (660 lb)*	460x1295x460 mm (18x51x18 in) 535x1375x460 mm (21x54x18 in)	900 kg (2000 lb)	10 m/min (30 fpm)	480 V 60 Hz 3 wire+gnd	1.5 kW (2.0 hp)	5.25 A	16.5 A	
V1000S EXO V1200S	230 kg (500 lb) 265 kg (580 lb)*	410x1425x410 mm (16x56x16 in) 510x1450x410 mm (20x57x16 in)	545 kg (1200 lb)	0-55 m/min (0-180 fpm)	480 V 60 Hz 3 wire+gnd	5.6 kW (7.5 hp)	15.0 A	N/A	

*The above EXO powerhead weights do not include the external control boxes which allow for multiple mounting orientations. Control box weights are listed below. Supporting structure for EXO hoists must be rated for the combined total weight of the powerheads, control boxes, and lifted loads.

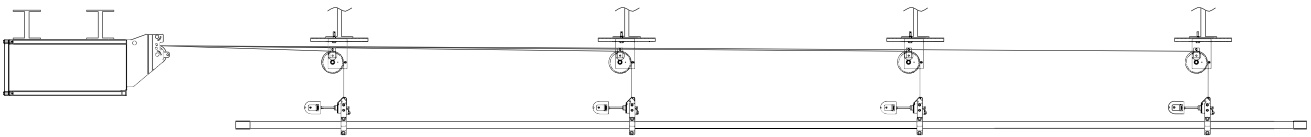
Model	EXO P900G(/480)	EXO P1400G(/480)	EXO P2000G(/480)	EXO V1200S
Weight	9.5 kg (21 lb)	9.5 kg (21 lb)	11.3 kg (25 lb)	15.9 kg (35 lb)

TYPICAL CONFIGURATIONS

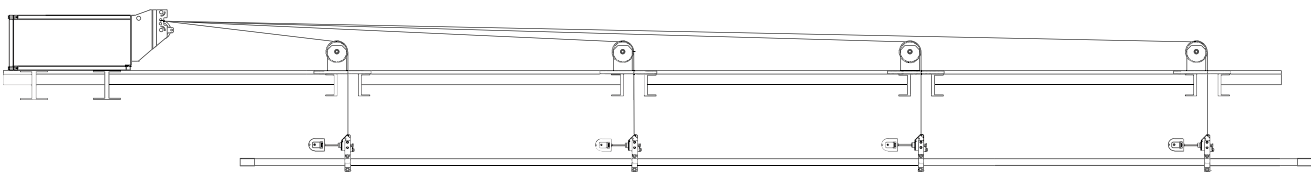
P1 WITH COMPRESSION TUBE



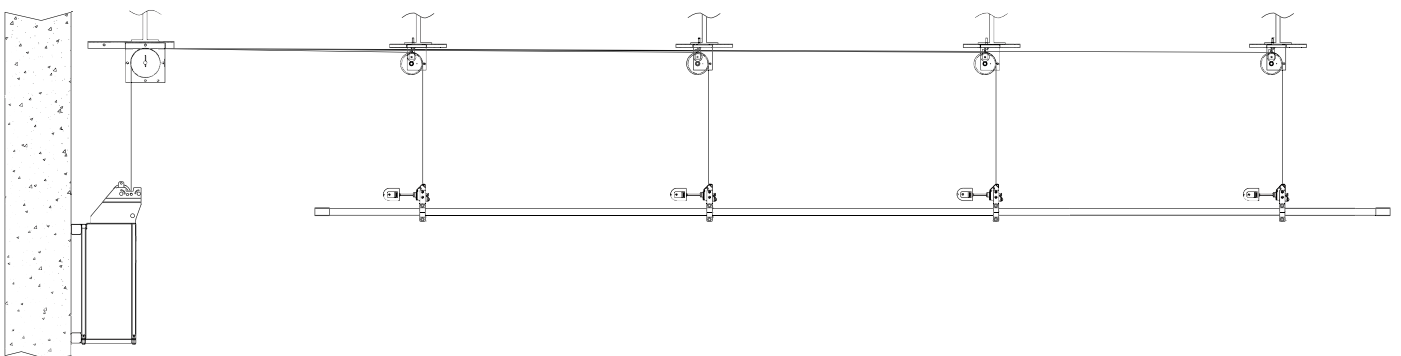
P1 EXO UNDERHUNG



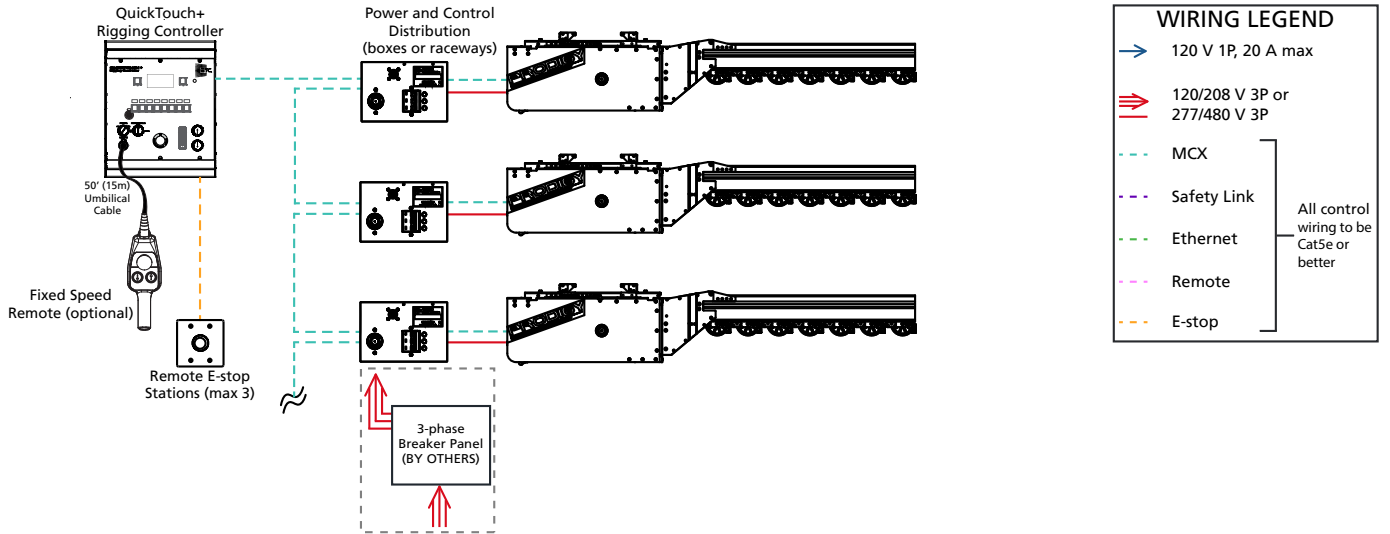
P1 EXO UPRIGHT



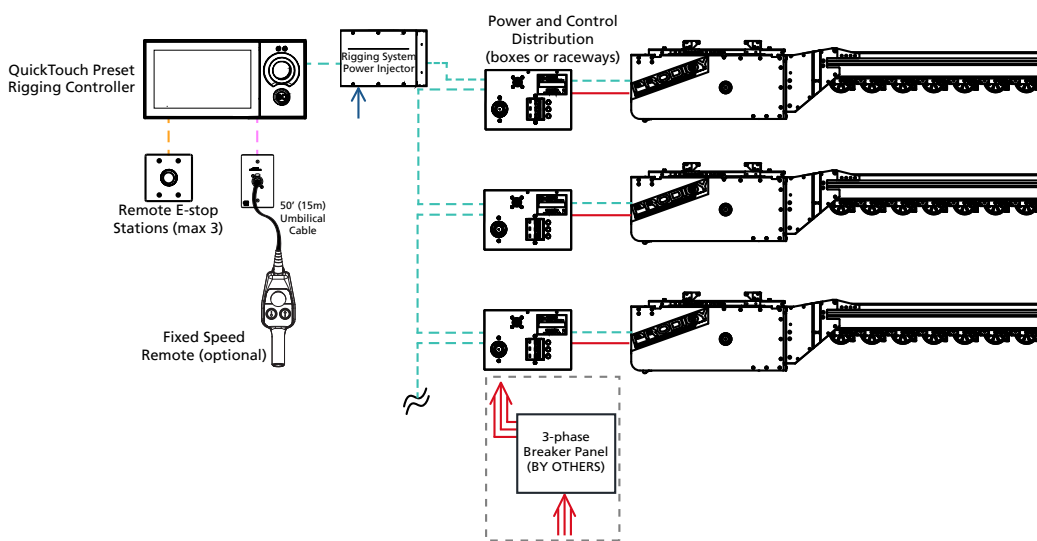
P1 EXO VERTICAL WALL MOUNT



SAMPLE SYSTEM RISERS
QUICKTOUCH+ CONTROL SYSTEM

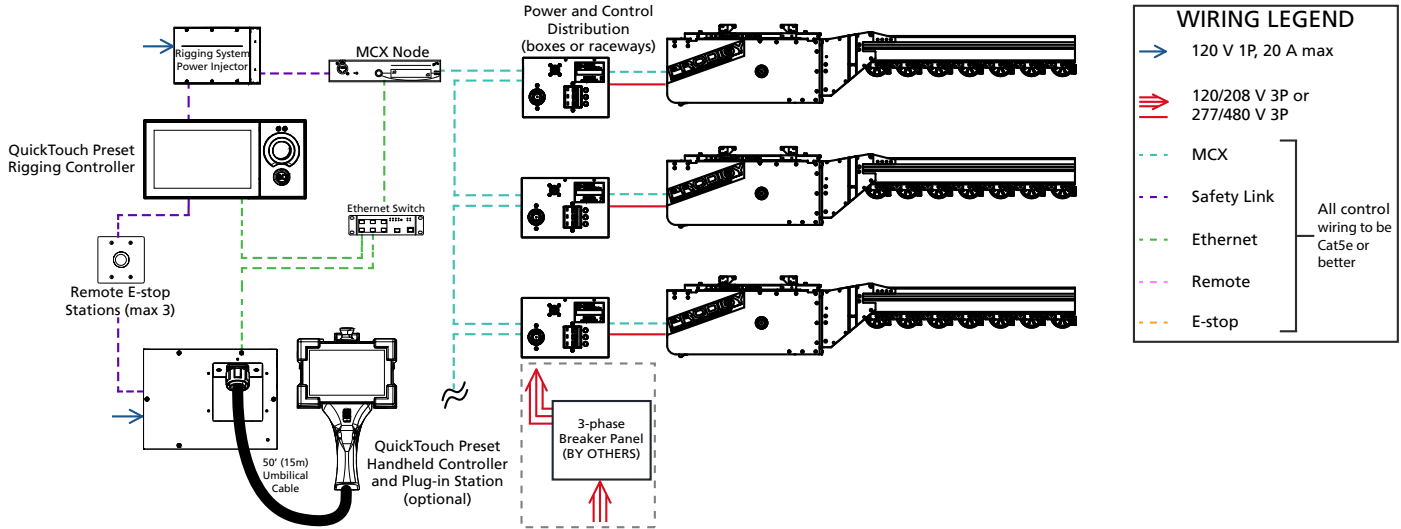


QUICKTOUCH PRESET CONTROL SYSTEM

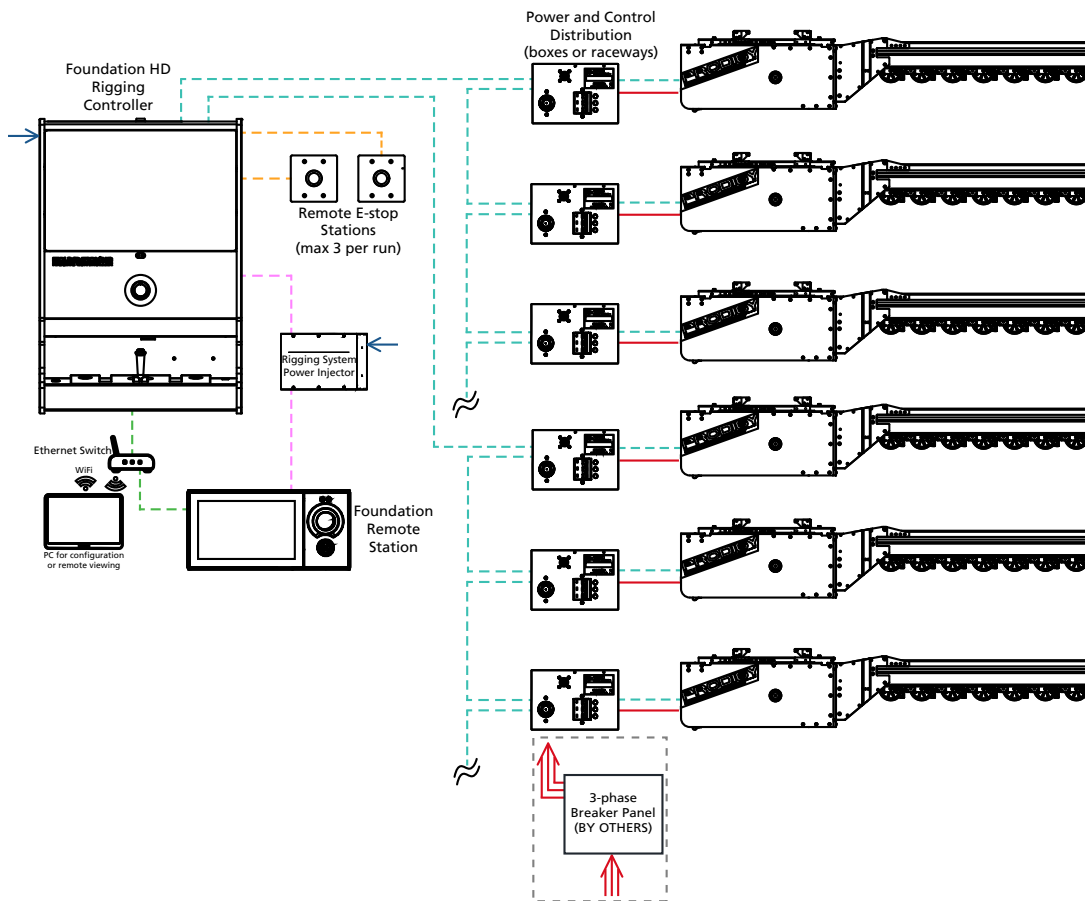


SAMPLE SYSTEM RISERS

QUICKTOUCH PRESET W/ QUICKTOUCH PRESET HANDHELD CONTROL SYSTEM



FOUNDATION CONTROL SYSTEM



Corporate Headquarters • Middleton, WI USA
 Global Offices • London, UK • Rome, IT • Holzkirchen, DE • Paris, FR • Hong Kong
 Dubai, UAE • Singapore • New York, NY • Orlando, FL • Los Angeles, CA • Austin, TX
 Copyright©2021 ETC. All Rights Reserved. All product information and specifications subject to change. Rev B 2021-10
 *Trademark and patent info: etconnect.com/IP