



GENERAL INFORMATION

The ColorSource CYC is a dedicated cyclorama fixture designed with the sole purpose of creating beautiful, smooth washes of light on a cyclorama or wall. And it delivers! This is the first ETC fixture to use this innovative five-colour mix of red, green, blue, indigo and lime for expanded range and colour control.

PRODUCT FEATURES

- All LED (RGBI-L)
- Rich, bright light
- Fully convection cooled (No fan)
- Stand-alone presets and sequences
- Powerful single channel mode
- Simple setup and user interface

ORDERING INFORMATION

ColorSource CYC Adapter

PART NO.	DESCRIPTION
7415A1200	ColorSource CYC fixture, XLR, black
7415A1210	ColorSource CYC fixture, RJ45, black

Colour Options: Fixture ships standard in black. For additional colours please use the following colour code suffix: -1 for white or -5 for silver grey. For custom colour please contact ETC

COLORSOURCE CYC SHIPS WITH:

- Hanging yoke
- 1.8m PowerCON to bare ends power cable

PRODUCT SPECIFICATIONS

Source

LED Details	42 Lumileds LUXEON C LEDs
Max Lumens	4117
Lumens Per Watt	31
L70 Rating (Hours to 70% output)	50,000 hours (estimate pending testing data)

Color

Colours Used	Red, green, blue, indigo and lime
Colour temperature range	Variable
Calibrated Array	Yes
Red Shift	No

Optical

Beam angle range	N/A (asymmetrical)
Gate size	N/A
Aperture size	N/A
Pattern projection	No
Pattern size	N/A
Camera flicker control/Hz range	1,200 Hz (default) and 25,000 Hz (via RDM)
Notes	The ColorSource CYC has a built in accessory for spill control

Control

Input method	DMX512 via 5-pin XLR or RJ45 connector
Protocols	DMX512-A
Modes (Footprint)	5 channel- IRGBS (5) Direct- IRGBILS (7) 1 channel- I (1) RGB- RGB (3)
RDM configuration	Yes
UI type	7-segment address display
Local control	Yes
Onboard presets	Yes (12)
Onboard sequences	Yes (5)
Onboard effects	No
Fixture to fixture control	Yes
Notes	Local level control via UI

Electrical

Voltage range	100V-240VAC, 50/60Hz
Input method	powerCON in and thru
Inrush	74A (first half-cycle) at 240V
Fixtures per circuit	9 (16A switched circuit)
Wattage (Typical/Standby)	116W/1.2W at 230V
Current draw	1.11A at 230V

Thermal

Ambient operating temp	0-40° C
Fan (controllable)	No (N/A)
Droop compensation	Yes
dB range	18.5dBa average at 1m
BTUs/hour	418

Physical

Materials	Die-cast aluminium and plastic
Colour options	Black, white, silver grey or custom color
Mounting options	Yoke and floor
IP rating	IP20
Weight	4.7kg
Included accessories	Hanging yoke, power cable

PRODUCT FEATURES



UNIQUE 5-COLOUR ARRAY

ColorSource CYC uses a unique blend of red, green, blue, indigo and lime LEDs



COMPACT DESIGN

The ColorSource CYC was designed to fit onto even the tightest of stages

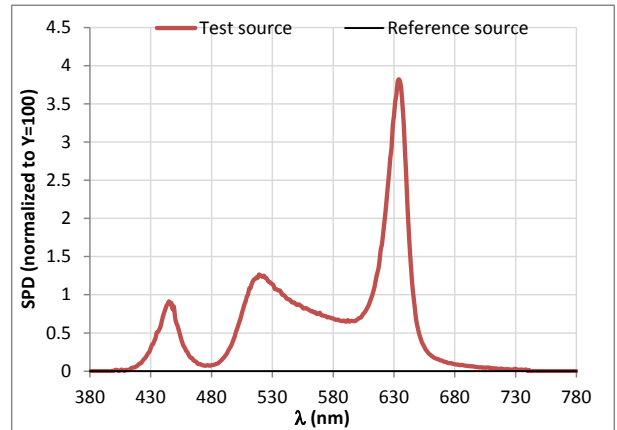
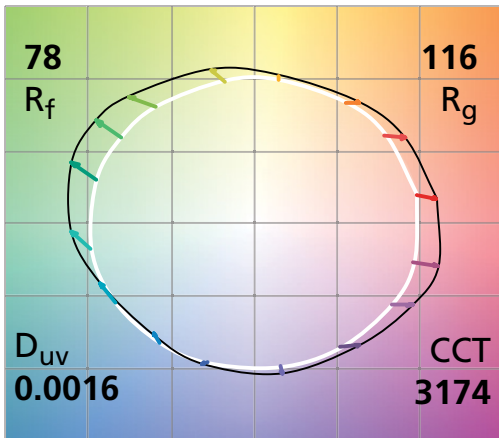


FAN-FREE

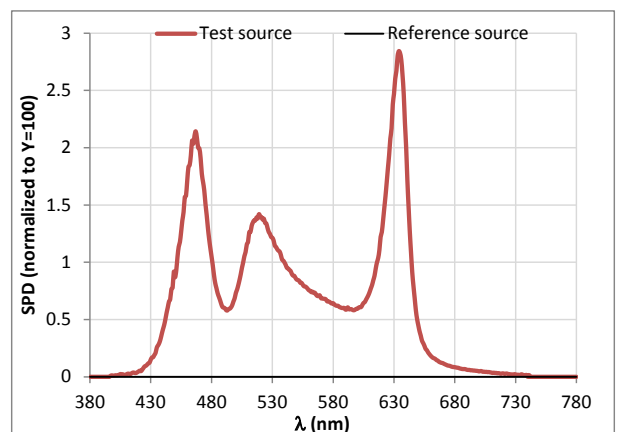
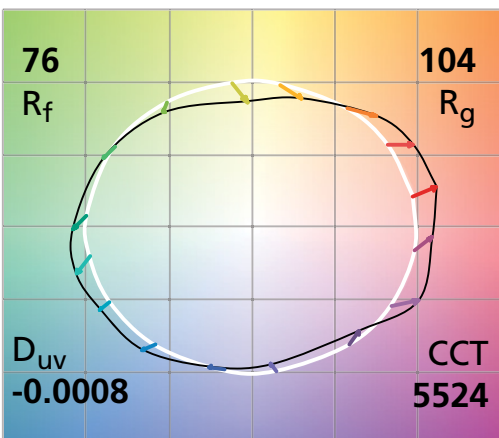
No fan means a quieter stage

COLOURMETRIC INFORMATION

TM-30-15 3200K - COLORSOURCE CYC



TM-30-15 5600K - COLORSOURCE CYC



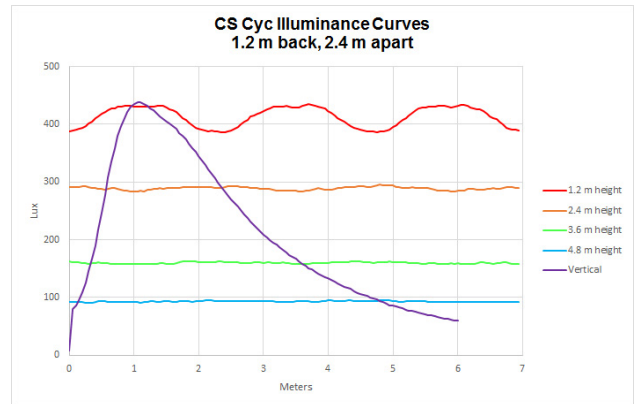
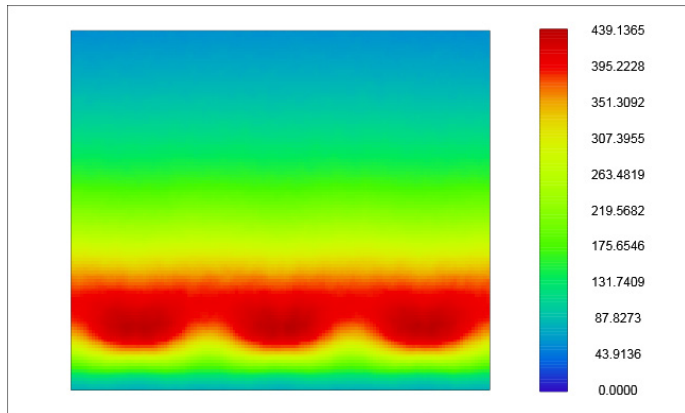
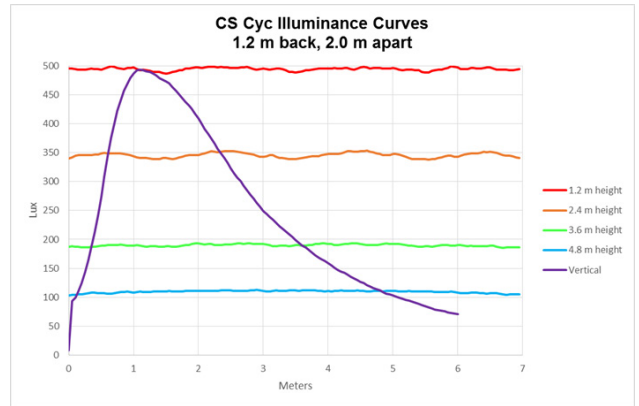
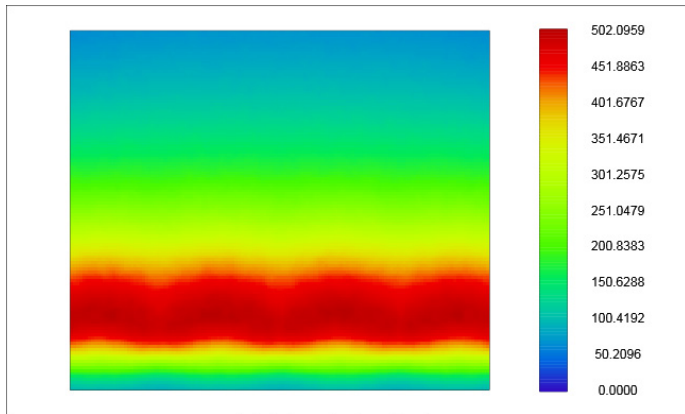
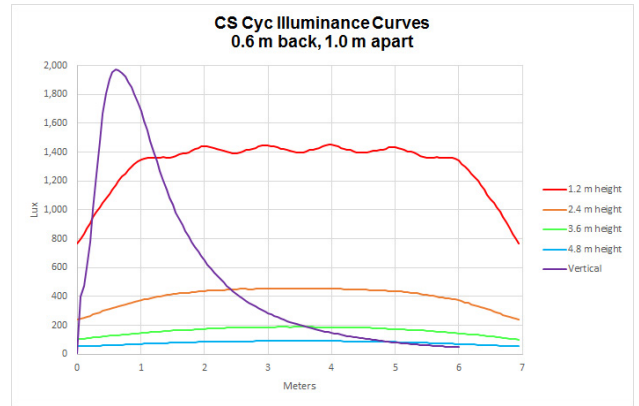
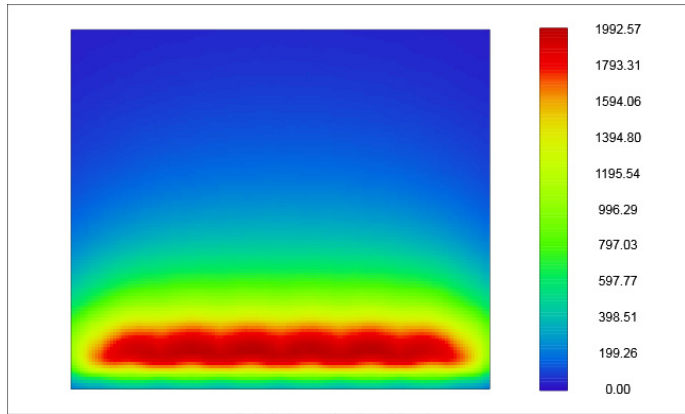
COLOURMETRIC INFORMATION

Additional Color Metrics

	CS CYC 3200K	CS CYC 5600K
CRI R _s (R _g)	72 (2)	72 (-42)
TLCI	52	68

PHOTOMETRICS

Numerical values represent lux.



ADDITIONAL ORDERING INFORMATION

Accessories

PART NO..	DESCRIPTION
7410B7013	PowerCON to bare ends 1.8m 3 x 1mm ² power cable (spare), Black
7410B7013-1	PowerCON to bare ends 1.8m 3 x 1mm ² power cable (spare), White
7410K1101	PowerCON to bare ends 1.0m 3 x 1mm ² power thru cable , Black
7410K1102	PowerCON to PowerCON 1.0m power thru cable 3x1mm ² , Black
7410K1103	PowerCON to PowerCON 2.0m power thru cable 3x1mm ² , Black
7410K1104	PowerCON to PowerCON 5.0m power thru cable 3x1mm ² , Black
7410K1105	PowerCON/DMX to PowerCON/DMX 1.0m power thru cable 3x1mm ² , Black
7410K1106	PowerCON/DMX to PowerCON/DMX 2.0m power thru cable 3x1mm ² , Black
7410K1107	PowerCON/DMX to PowerCON/DMX 5.0m power thru cable 3x1mm ² , Black

NOTES ABOUT LED LUMINAIRES

All LED sources experience some lessening of light output and some color shift over time. LED output will vary with thermal conditions. Thermal conditions can be affected by ambient temperatures and orientation. Based on the LED manufacturer's B50 L70 specification, a ColorSource CYC luminaire will achieve ~70% of its initial output after an estimated 50,000 hours of typical usage*. In individual situations, LEDs will be used for different durations and at different levels. This can eventually lead to minor alterations in color performance, necessitating slight adjustments to presets, cues or programs.

*Note: Life tests are currently underway. Results are pending.

PHYSICAL

ColorSource CYC Dimensions

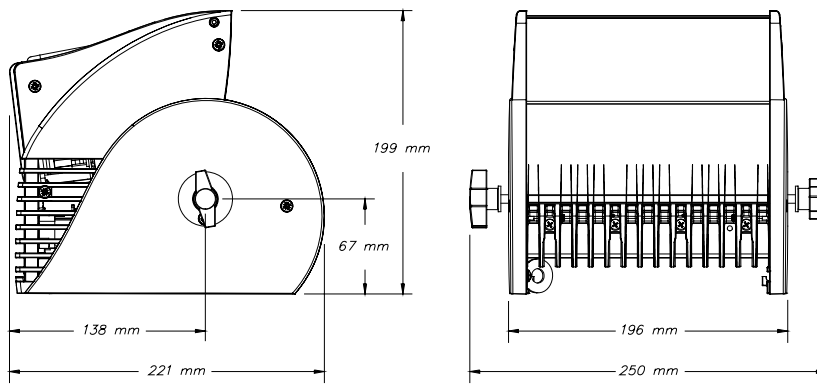
MODEL	HEIGHT	WIDTH	DEPTH
	mm	mm	mm
ColorSource CYC (Floor)	199	250	221
ColorSource CYC (Hang)	304	250	221

ColorSource CYC Weights

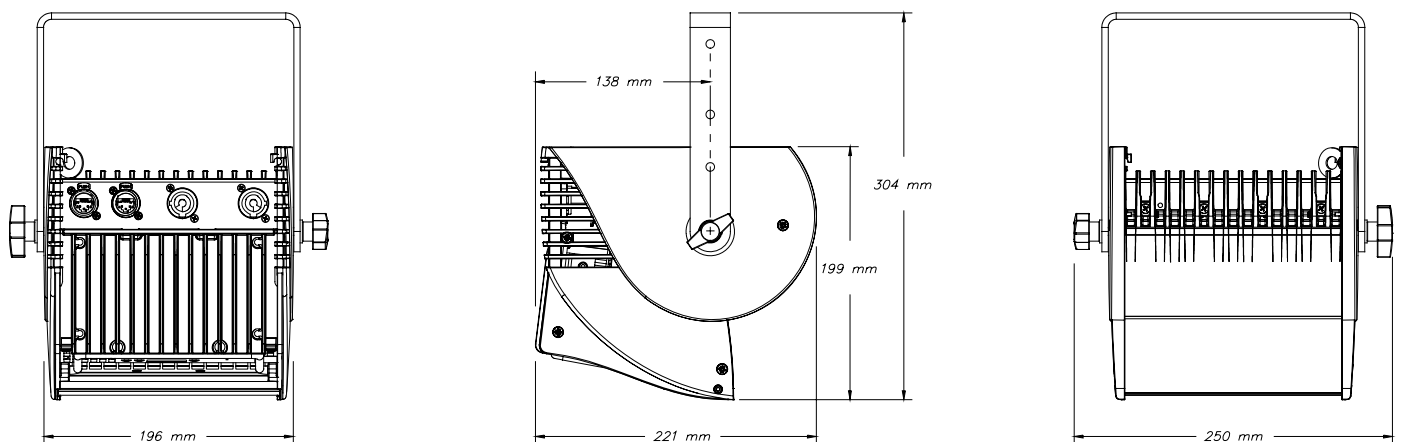
MODEL	WEIGHT*	SHIPPING WEIGHT
	kgs	kgs
ColorSource CYC	4.7	5.6

*Without mounting hardware

FLOOR



HANG



Corporate Headquarters • 3031 Pleasant View Rd, PO Box 620979, Middleton WI 53562 0979 USA • +1 608 831 4116

London, UK • Unit 26-28, Victoria Industrial Estate, Victoria Road, London W3 6JU, UK • +44 (0) 20 8896 1000

Rome, IT • Via Pieve Torina, 48, 00156 Rome, Italy • +39 (06) 32 111 683

Holzkirchen, DE • Ohmstrasse 3, 83607 Holzkirchen, Germany • +49 (80 24) 47 00-0

Hong Kong • Room 1801, 18/F, Tower 1 Phase 1, Enterprise Square, 9 Sheung Yuet Road, Kowloon Bay, Kowloon, Hong Kong • +852 2799 1220

Web • etconnect.com • Copyright©2018 ETC. All Rights Reserved. All product information and specifications subject to change. 7415L1001-GB Rev B 01/18