

GENERAL INFORMATION

The Unison Heritage Fader Interface provides a convenient variable-level interface to external devices via a variable 0-3.3v analog signal, sourced by the interface. The Fader Interface provides eight input connections functionally coupled to eight lamp-driver connections, providing up to 100mA @ 24v DC.

APPLICATIONS

- Interface to 3rd-party faders or potentiometers
- Custom Fader Panels
- Custom Stage Manager Panels

FEATURES

- Designed for use with Unison Paradigm Control Systems
- LinkConnect – using Echelon® LonTalk® protocol with LinkPower, the two wire topology-free system gives you the freedom to put the Fader Interface where you need it.
- Zone, Master, or Fade Time control functions assigned in software
- Terminals for all wire connections
- Custom configurations available
- External lamp driver

ORDERING INFORMATION

Fader Interface

MODEL	DESCRIPTION
UHFI	Unison Heritage Fader Interface

SPECIFICATIONS

GENERAL

- UL and cUL LISTED
- CE Marked

FUNCTIONAL

- Operate standard system functions for faders from other devices
- Fader functions include master, zone, fade rate, or preset
- Custom functionality programmable via LightDesigner configuration software

MECHANICAL

- Enclosure and cover are constructed of 16 gauge (.08) steel and are finished in black fine texture powder coat paint
- Two piece removable cover allows independent access to electronics assembly and wiring terminations

ELECTRICAL

- Connect via Echelon® LinkPower control network utilizing low voltage Class II wiring
- Topology free and polarity independent wiring over Belden 8471 or equivalent, and (1) #14 ESD drain wiring
- Wiring may be bus, loop, home-run or any combination of these
- Link Power network wiring may not exceed 1640' (500m) without the use of a repeater module (P-REP or P-DREP)
- Two #16 AWG wires for 24 vDC auxiliary power
- Terminals provided for all wiring connections.
- Ratings
 - Variable input, 0-3.3v DC sourced by the interface
 - Lamp Driver Output, 100mA @ 24v DC functionally coupled to the fader input
 - Supports up to 1000 feet of 16 AWG wiring between lamp supply and return
- UL and cUL LISTED, CE marked

THERMAL

- Ambient room temperature: 0-40°C / 32-104°F
- Ambient humidity: 30-90% non-condensing

PHYSICAL

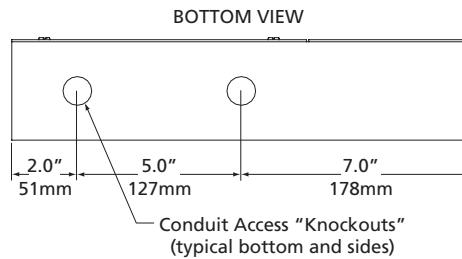
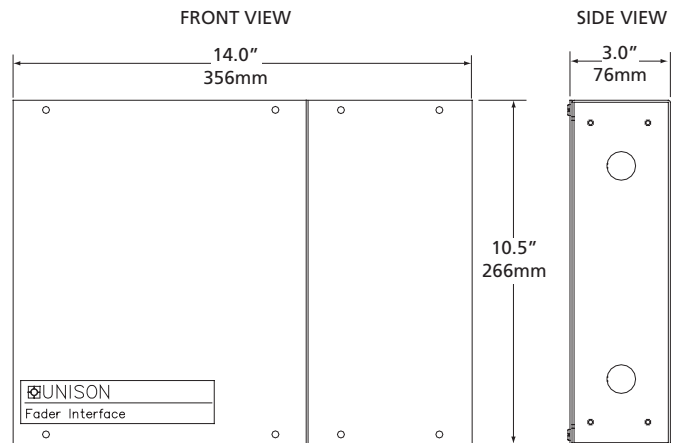
Fader Interface Dimensions*

MODEL	HEIGHT		WIDTH		DEPTH	
	inches	mm	inches	mm	inches	mm
UHFI	14	356	10.5	266	3	76.2

Fader Interface Weights*

MODEL	WEIGHT		SHIPPING WEIGHT	
	lbs	kgs	lbs	kgs
UHFI	11.22	5.05	13	5.85

*Weights and dimensions typical



Corporate Headquarters • 3031 Pleasant View Rd, PO Box 620979, Middleton WI 53562 0979 USA • Tel +1 608 831 4116 • Fax +1 608 836 1736
 London, UK • Unit 26-28, Victoria Industrial Estate, Victoria Road, London W3 6UU, UK • Tel +44 (0)20 8896 1000 • Fax +44 (0)20 8896 2000
 Rome, IT • Via Ennio Quirino Visconti, 11, 00193 Rome, Italy • Tel +39 (06) 32 111 683 • Fax +44 (0) 20 8752 8486
 Holzkirchen, DE • Ohmstrasse 3, 83607 Holzkirchen, Germany • Tel +49 (80 24) 47 00-0 • Fax +49 (80 24) 47 00-3 00
 Hong Kong • Room 1801, 18/F, Tower 1 Phase 1, Enterprise Square, 9 Sheung Yuet Road, Kowloon Bay, Kowloon, Hong Kong • Tel +852 2799 1220 • Fax +852 2799 9325
 Web • www.etcconnect.com • Copyright©2009 ETC. All Rights Reserved. All product information and specifications subject to change. 7181L1140 Rev. A Printed in USA 01/09

Unison® products protected by one or more of the following U.S. Patent Numbers 5,323,088, 5,352,958 and 6,849,943; European Patent Number 0603333; German Patent Number 69203609; US and International patents pending