



GENERAL INFORMATION

With the ERn enclosure, you choose the features you need for your facility's unique lighting and building-control requirements: processing, station support, power options, and networking. By isolating core components as a module, we optimize the system's longevity and performance. Compact external control enclosures available in two sizes: ERn2 and ERn4.

APPLICATIONS

- Houses of worship
- Hotels
- Resorts
- Convention centers
- Theaters
- Schools
- Restaurants
- Theme parks
- Cruise ships

FEATURES

- LinkConnect: using Echelon® LonTalk® protocol with LinkPower, the two-wire topology-free system gives you the freedom to put stations where you need them
- Use of low-cost, easy-to-install Cat5/5e cable with PoE to connect touchscreen stations and other devices to a networked Paradigm® system
- Optional 5-port Power Over Ethernet (PoE) Ethernet Switch\*
- Optional Redundant Rack Power Supply\*
- Wall-mount or 19" equipment rack-mount

\*Option module required

Options and Accessories

MODEL	DESCRIPTION
ERn-Net*	ERn Ethernet Switch with Power over Ethernet
ERn-RPS	ERn Redundant Power Supply
URTO	Unison RideThru Option
UBPO*	Unison BatteryPack Option

\*For use with wall-mount ERn enclosures only

ORDERING INFORMATION

100-120 Volt ERn Enclosure

MODEL	DESCRIPTION
ERn2-W-__ <sup>1</sup>	Single Processor Control Enclosure-Wall Mount
ERn2-RM-__ <sup>1</sup>	Single Processor Control Enclosure-Rack Mount
ERn4-W-__ <sup>1</sup>	Dual Processor Control Enclosure-Wall Mount
ERn4-RM-__ <sup>2</sup>	Dual Processor Control Enclosure-Rack Mount
ERn4-W-__-S <sup>1,3</sup>	Single Processor Enclosure -Wall Mount with P-TS7 opening

<sup>1</sup> Available for 100, 120 230CE and 240 volt options. Enter desired voltage in blank space when ordering. Example: ERn4-W-120

<sup>2</sup> Available for 100, 120 and 240 volt options for UL markets. Enter desired voltage in blank space when ordering. Example: ERn4-W-120

<sup>3</sup>P-TS7 purchased separately

Control Module Options

MODEL	DESCRIPTION
P-ACP	Paradigm Architectural Control Processor

Option Modules

MODEL	DESCRIPTION
P-SPM	Paradigm Station Power Module
P-REP*	Paradigm Station Repeater Module
P-DREP*	Paradigm Dual Station Repeater Module
ERn-BM	ERn Blank Module

\*For use with ERn4 only



## SPECIFICATIONS

**GENERAL**

- External Processing Enclosure designed for one ERn2 or two ERn4 control processors plus options and accessories
- Full two-year warranty

**MECHANICAL**

- 18-gauge formed steel construction
- Fine-texture, scratch-resistant epoxy paint
- Wall-mount and 19" rack-mount variants
- Convection-cooled
- Locking door with limited access to control processor
- Tool-free module removal and installation
- 19" equipment-rack mount offers connectorized rear panel for all wiring connections
- Wall-mount offers front access wiring terminations
- Top, bottom and side knockouts for conduit entry
- Optional variant with field installed Touchscreen Control Station

**ELECTRICAL**

- External control enclosure rated for 100, 120V, 230V CE or 240VUL single phase configurations, 3.5A maximum draw at 120V
- Completely pre-wired by the manufacturer
- Designed to support the following wire terminations
  - AC (single phase)
  - 24VDC (2-16AWG)
  - LinkConect®
  - Two configurable DMX512A ports
  - RS232 Bi-directional serial
  - Cat5/5e UTP Ethernet
  - Contact I/O, 4in/4out (14-26AWG)
    - Contact output rated 1A at 30vDC
- Contractor-supplied input and control wiring
- Factory-provided connectors for wiring terminations
- UL and cUL Listed

**THERMAL**

- Ambient room temperature: 0-40°C / 32-104°F
- Ambient humidity: 10-90% non-condensing

## RACK OPTIONS AND ACCESSORIES

**CONTROL PROCESSORS**

- Paradigm Architectural Control Processor (P-ACP)

**STATION POWER MODULES**

- Station Power Module (P-SPM)
  - Provides Echelon LinkPower for up to 32 stations
  - Provides 24V auxiliary power for interface and touchscreen stations
  - Provides 1640 feet (500 meters) of station bus from the ERn enclosure
- Station Bus Repeater (P-REP)
  - Extends station bus length by an additional 1640 feet (500 meter) segment
  - Accommodates up to 30 additional stations (maximum 62 stations per Processor)
  - Wall- and rack-mount versions available for mid-span insertion
- Station Bus Dual Repeater (P-DREP)
  - Extends the station network bus by two additional 1640-foot (500-meter) segments
  - Accommodates up to 30 additional stations (maximum 62 stations per processor)
  - Wall- and rack-mount versions available for mid-span insertion

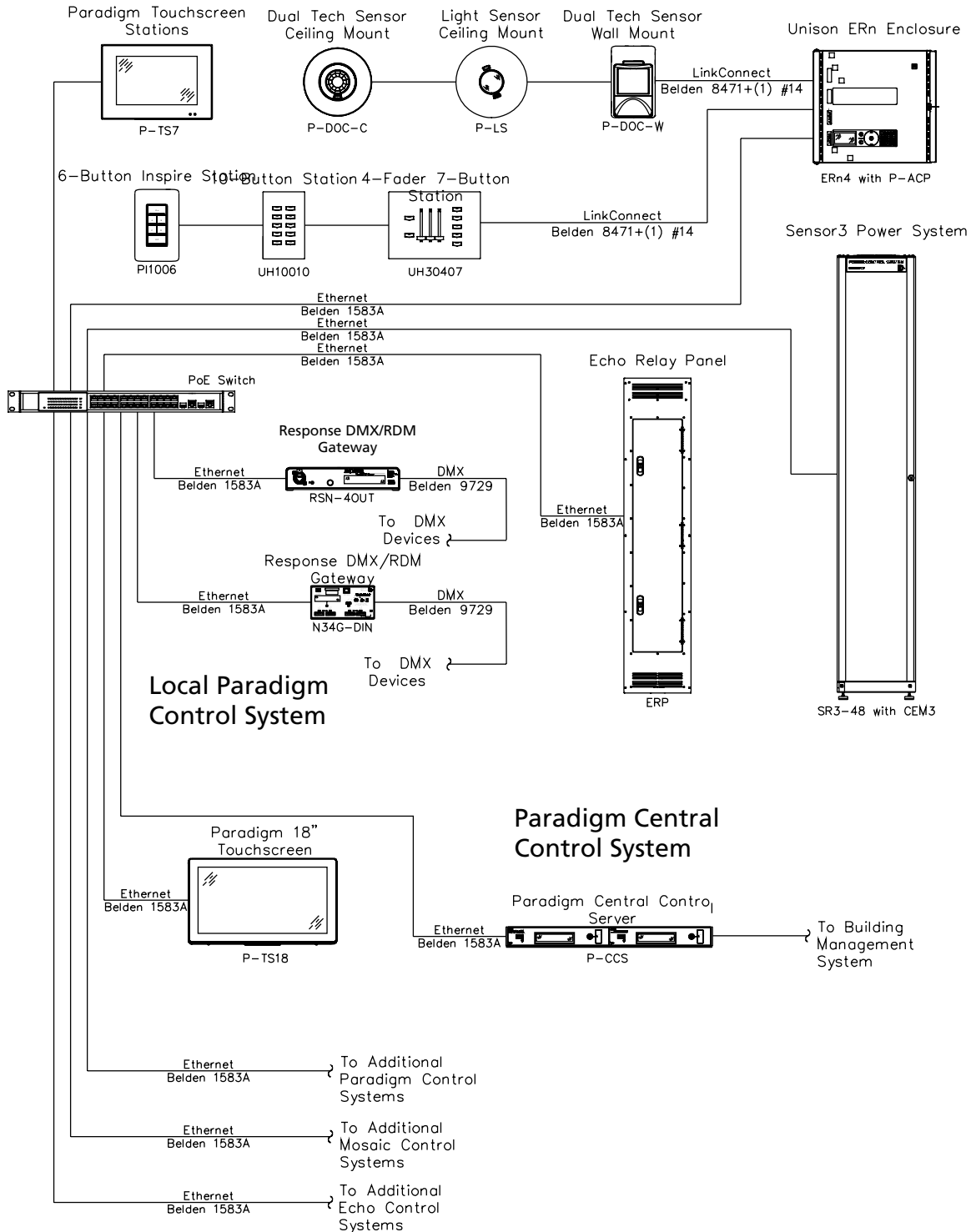
**OPTION MODULES**

- Ethernet Switch (ERn-NET)
  - Five-port Ethernet switch with four ports supplying Power over Ethernet (PoE)
  - 100BaseTX 802.3af PSE compliant
  - For use in wall-mount ERn only
  - Not compatible with ERn4-W-\_\_-S
- Redundant Power Supply (ERn-RPS)
  - Seamless power for control processors upon failure or removal of the primary power supply
  - Front-panel indicator for RPS status

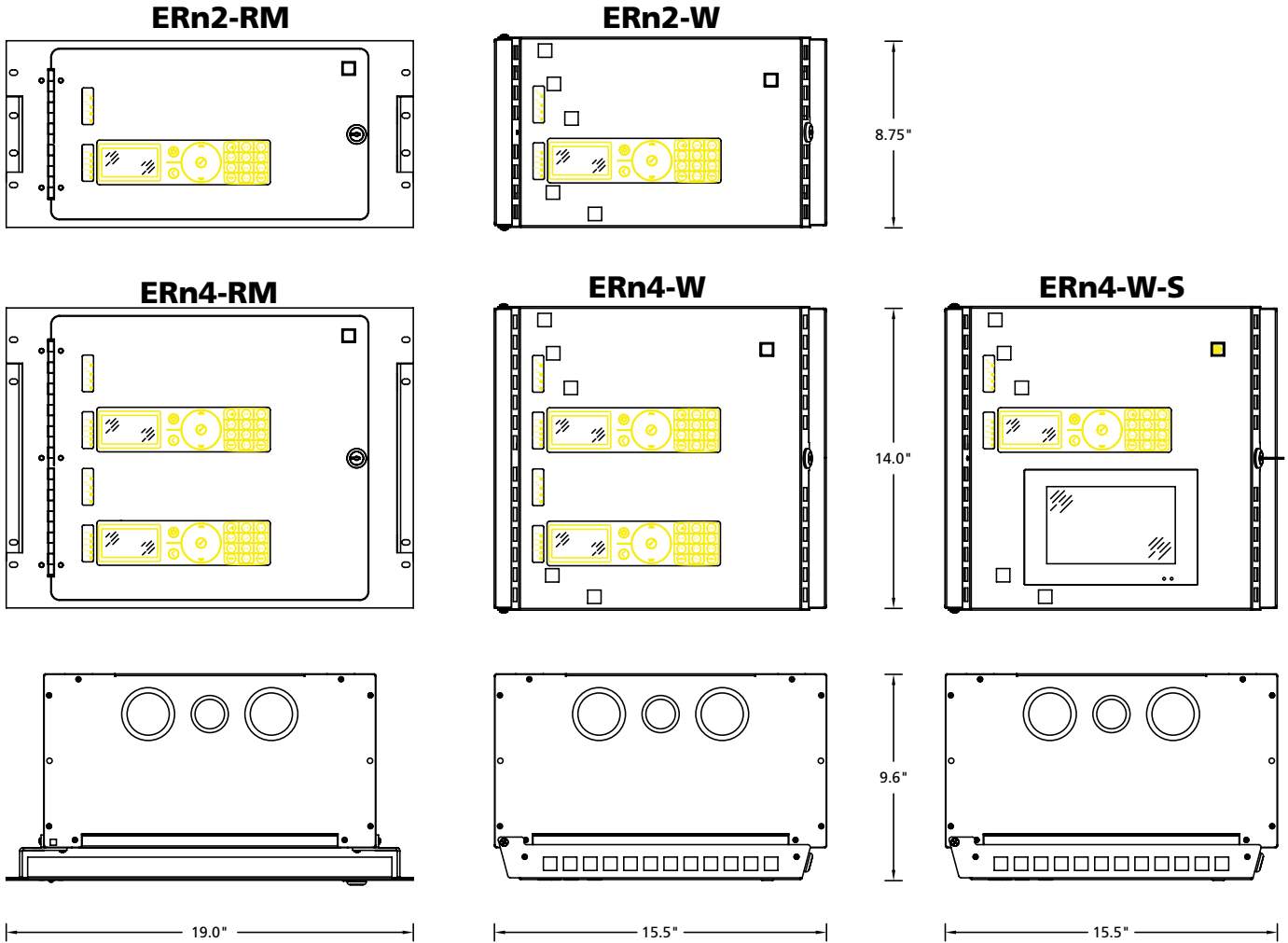
**ACCESSORIES**

- Unison RideThru Option (URTO)
  - Short-term power backup of control electronics for at least 10 seconds during short power outages
  - Automatically engages when power is lost
  - Recharges during normal power operation
- Unison Battery Pack Option (UBPO)
  - Long-term power backup of control electronics for at least 90 minutes
  - Automatically engages when power is lost
  - Recharges during normal power operation

TYPICAL SYSTEM RISER – PARADIGM CONTROL



PHYSICAL



ERn Dimensions\*

MODEL	HEIGHT		WIDTH		DEPTH	
	inches	mm	inches	mm	inches	mm
ERn2-W	8.75	223	15.5	394	9.6	244
ERn2-RM	8.75	223	19.0	483	9.6	244
ERn4-W/ W-S	14.0	356	15.5	394	9.6	244
ERn4-RM	14.0	356	19.0	483	9.6	244

ERn Weights\*

MODEL	WEIGHT		SHIPPING WEIGHT	
	lbs	kgs	lbs	kgs
ERn2-W	15	6.80	20	9.08
ERn2-RM	20	9.07	21	9.53
ERn4-W/ W-S	20	9.07	25	11.34
ERn4-RM	25	11.34	29	13.15

\*Weights and dimensions typical



Corporate Headquarters • 3031 Pleasant View Rd, PO Box 620979, Middleton WI 53562 0979 USA • +1 608 831 4116

London, UK • Unit 26-28, Victoria Industrial Estate, Victoria Road, London W3 6UU, UK • +44 (0) 20 8896 1000

Rome, IT • Via Pieve Torina, 48, 00156 Rome, Italy • +39 (06) 32 111 683

Holzkirchen, DE • Ohmstrasse 3, 83607 Holzkirchen, Germany • +49 (80 24) 47 00-0

Hong Kong • Room 1801, 18/F, Tower 1 Phase 1, Enterprise Square, 9 Sheung Yuet Road, Kowloon Bay, Kowloon, Hong Kong • +852 2799 1220

Web • etconnect.com • Copyright©2018 ETC. All Rights Reserved. All product information and specifications subject to change. 7180L1004 Rev D 01/18

Unison® products protected by one or more of the following U.S. Patent Numbers 5,323,088, 5,352,958 and 6,849,943; European Patent Number 0603333; German Patent Number 69203609; US and International patents pending