



## GENERAL INFORMATION

The Source Four CE Mini tungsten luminaire can go where no full-sized Source Four has gone before. ETC's 12V 50 watt Source Four Mini features the same crisp optics, user-friendly functionality and sleek look of the legendary Source Four luminaire, but in a compact format one-third its size.

The Source Four CE Mini has four field-angle Lens Tube options and available in a portable version for clamp or bolt mounting with the transformer mounted on the yoke, a canopy ceiling-mount and a 3-circuit track adapter design with integrated transformer. Surprisingly bright for its size, the Mini offers crystal-clear image projection and a bright, even field.

### VENUES

- Museum
- Retail shop
- Restaurant
- Hotel lobby
- Ballroom
- Theatre

### FEATURES

- Rugged, die-cast aluminium fixture body
- Interchangeable lens tubes permit selection of 19°, 26°, 36° and 50° field angles
- Unique, efficient optical system
- Effective heat dissipation and cool beam, using dichroic reflector
- Three-plane shutter assembly
- Long life 5,000h average tungsten light source
- Multiple mounting options: Hook clamp, Canopy and Track
- Custom paint colours available upon request

### GENERAL

- CE compliant
- IP40 rated

## ORDERING INFORMATION

### Source Four CE Mini Luminaire (Body only)

PART NO	DESCRIPTION
7063A1210	Source Four Mini, Portable, UK 13A connector, Black
7063A1209	Source Four Mini, Portable, EU connector, Black
7063A1013	Source Four Mini LV, Portable, Black (Without transformer for use in 12V environments)
7063A1212	Source Four Mini, Canopy, for install, Black
7063A1211	Source Four Mini, 3-circuit Eutrac adapter, Black

### Source Four CE Mini Lens Tubes

7063A2002	Source Four Mini 19° Lens Tube, Black
7063A2006	Source Four Mini 26° Lens Tube, Black
7063A2007	Source Four Mini 36° Lens Tube, Black
7063A2008	Source Four Mini 50° Lens Tube, Black

### Accessories: See page 5

NOTES: When ordering other colours than Black, please add -1 for White or -8 for Custom Colour.

Silver Grey is a custom Colour for the tungsten light

Track adapter by EUTRAC and compatible with tracks from other popular makes. Consult the appropriate manufacturer for advise.

## SPECIFICATIONS

## PHYSICAL

- Die cast aluminium construction (A380 grade)
- Fine-texture, high-temperature powder-coated paint
- Steel yoke with 10.3mm diameter mounting hole
- Rotating shutter assembly  $\pm 175^\circ$
- Removable rear housing for easy lamp replacement
- Stainless steel shutters in a tri-plane assembly
- Fixed field angles to suit a range of throw distances
- Tool-free pan, tilt and beam adjustment
- High impact resistant, thermally insulated knobs and shutter handles
- Captive accessory slot for gobo pattern holder (included)
- Dual captive accessory slots for colour frame (included) and top hats
- Portable-
  - Yoke mounted 12V transformer in colour matched enclosure (Black enclosure for silver grey fixtures)
  - 90cm power cable with UK or EU connector
- Install Canopy (ceiling mount)-
  - Colour matched, powder coated canopy mount with integral 12V transformer (included)
  - Canopy dimensions:  $\varnothing$  135mm x 26.5mm(H)
  - Installation hardware included
  - Fixture to canopy factory pre-wired for easy install
  - Built-in rotation stop
- Track Mount-
  - EUTRAC 3-circuit adapter, compatible with popular tracks
  - Integral 12V transformer, factory installed in colour matched adapter (Black adapter for silver grey fixtures)
- Black or white power lead from fixture to transformer

## ELECTRICAL

- 230V/12V Class 2 potted electronic halogen Transformer
- 230V AC 50-60 Hz input power
- Power factor: 0.96
- Input current: 0.28 A
- Output voltage: 11.7V
- Dimmable by most forward or reverse phase dimmers
  - (Reverse phase dimmers are recommended for best performance. Forward phase dimming may result in an audible noise and should be tested before installation)
- CE compliant

## SPECIFICATIONS (CONT.)

## LAMP\*

- Ushio 50W Eurostar™ IR MR-16 lamp (included)
- Long life lamp: 5000h average lamp life
- 35° flood beam spread
- 3000K colour temperature
- Halogen capsule cuts harmful UV
- Titanium oxide coating provides consistent colour throughout lamp life
- Axial Filament
- Base type: GU5.3

\*Any high quality MR16 dichroic reflector halogen lamp 50W or lower wattage may be used, as long as it provides a beam spread of approx. 35°

## OPTICAL

- Options of 19°, 26°, 36° and 50° field angle Lens tubes available
- Projector-quality, high contrast lenses
- Beam continually adjustable for hard-to-soft edge

## THERMAL

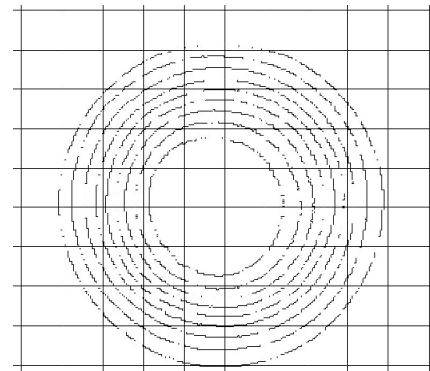
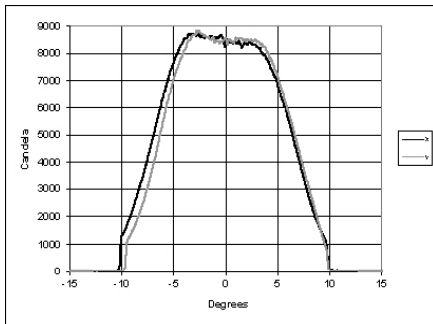
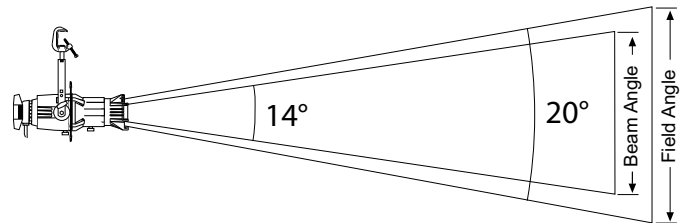
- 0°C to +40°C ambient operating environment

PHOTOMETRY (Calculations performed using calibrated Ushio 50W Eurostar™ IR MR-16 lamp)

**19 degree**

FIELD LUMENS	BEAM LUMENS	BEAM ANGLE	FIELD ANGLE	CANDELA	LUMENS PER WATT
440	320	14.1°	19.6°	8,830	8.76

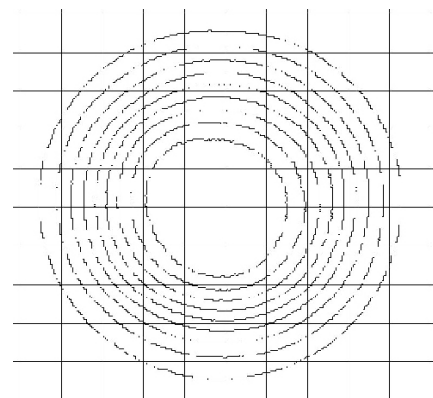
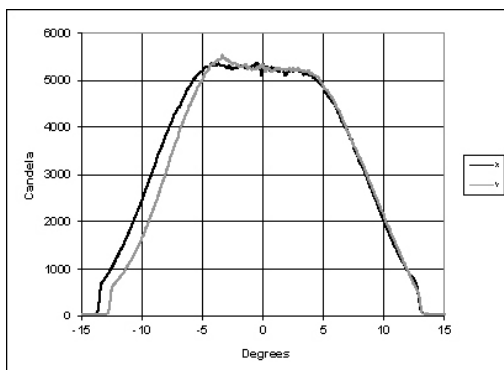
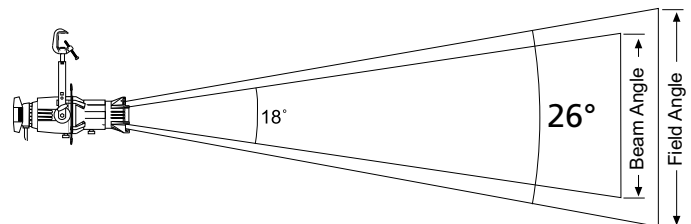
<b>THROW DISTANCE</b>	3.0m	4.6m	6.1m	9.1m
<b>FIELD DIAMETER</b>	1.0m	1.6m	2.1m	3.1m
<b>ILLUMINANCE (FC)</b>	88.3	39.2	22.1	9.8
<b>ILLUMINANCE (LUX)</b>	950	422	238	106



**26 degree**

FIELD LUMENS	BEAM LUMENS	BEAM ANGLE	FIELD ANGLE	CANDELA	LUMENS PER WATT
460	320	18.2°	25.8°	5,500	9.12

<b>THROW DISTANCE</b>	3.0m	4.6m	6.1m	9.1m
<b>FIELD DIAMETER</b>	1.4m	2.1m	2.8m	4.2m
<b>ILLUMINANCE (FC)</b>	55.0	24.4	13.8	6.1
<b>ILLUMINANCE (LUX)</b>	592	263	148	66

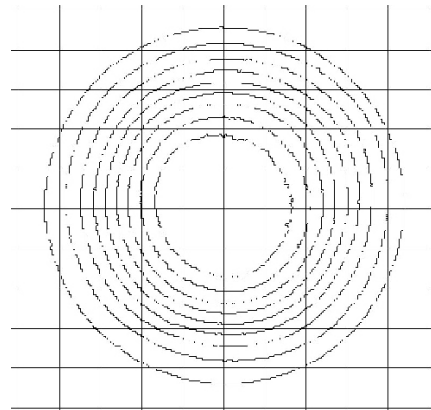
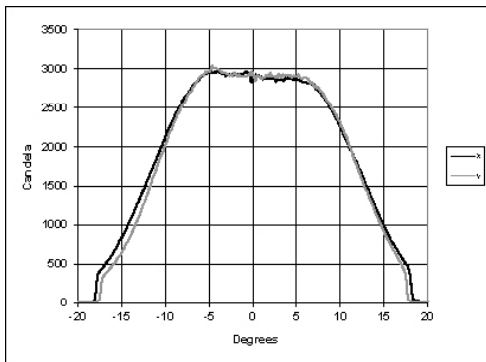
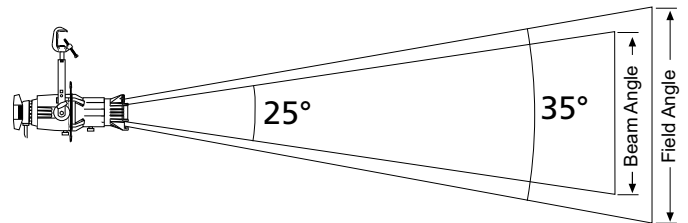


PHOTOMETRY

36 degree

FIELD LUMENS	BEAM LUMENS	BEAM ANGLE	FIELD ANGLE	CANDELA	LUMENS PER WATT
480	330	25.2°	35.3°	3,030	9.56

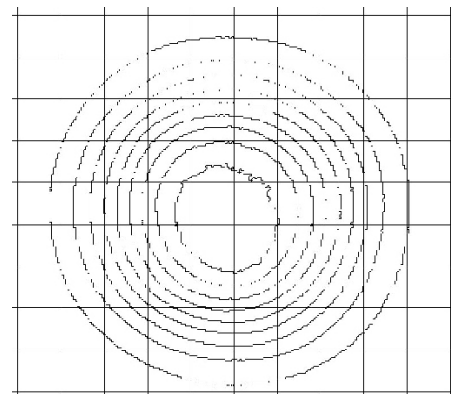
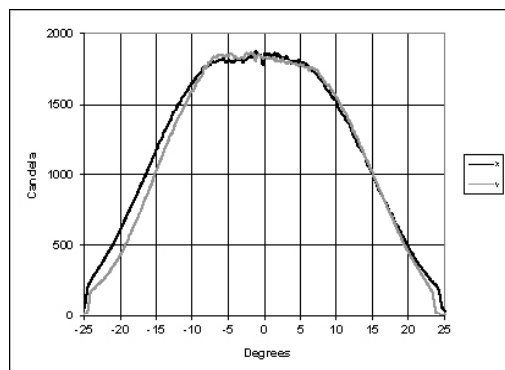
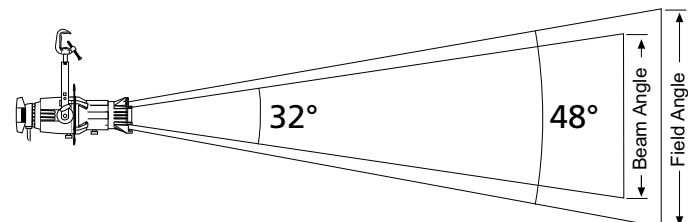
THROW DISTANCE	3.0m	4.6m	6.1m	9.1m
FIELD DIAMETER	1.9m	2.9m	3.9m	5.8m
ILLUMINANCE (FC)	30.3	13.5	7.6	3.4
ILLUMINANCE (LUX)	326	145	82	36



50 degree

FIELD LUMENS	BEAM LUMENS	BEAM ANGLE	FIELD ANGLE	CANDELA	LUMENS PER WATT
500	320	32.2°	48.0°	1,940	9.96

THROW DISTANCE	3.0m	4.6m	6.1m	9.1m
FIELD DIAMETER	2.7m	4.1m	5.4m	8.1m
ILLUMINANCE (FC)	19.4	8.6	4.9	2.2
ILLUMINANCE (LUX)	209	93	52	23

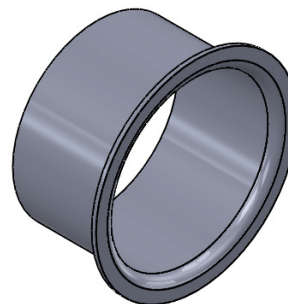


ACCESSORIES

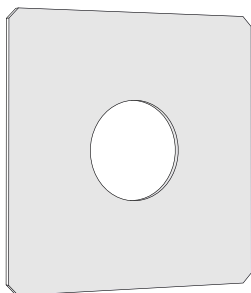
**Accessories**

PART NO	DESCRIPTION
RT226	MR16 12V/50W 35° Eurostar IR lamp (Spare)
7063A3014	Colour Frame, Black (Spare)
7063A2010	Gobo Pattern Holder, E-Size (Spare) - Aperture Ø 37.5mm, Ø 25.4mm image size recommended.
PSF1105	Top Hat 4MTH, Black
PSF1106	Top Hat Short 4MTHS, Black
PSF1107	Half Hat 4MHH, Black
PSF1108	Half Hat Short 4MHHS, Black
7063A3038	Donut 4MD, Black

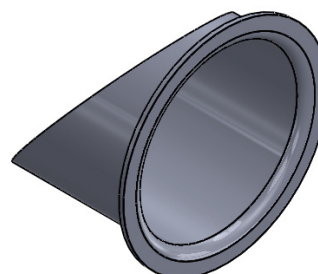
NOTE: When ordering other colours than Black, please add -1 for White or -8 for Custom Colours



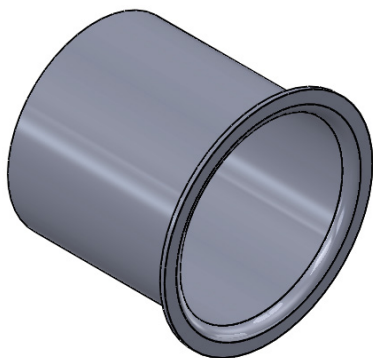
**PSF1106**



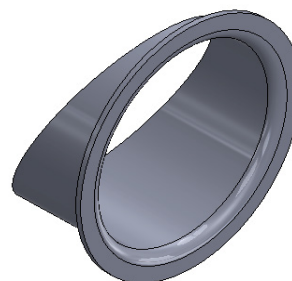
**4MD**



**PSF1107**



**PSF1105**



**PSF1108**

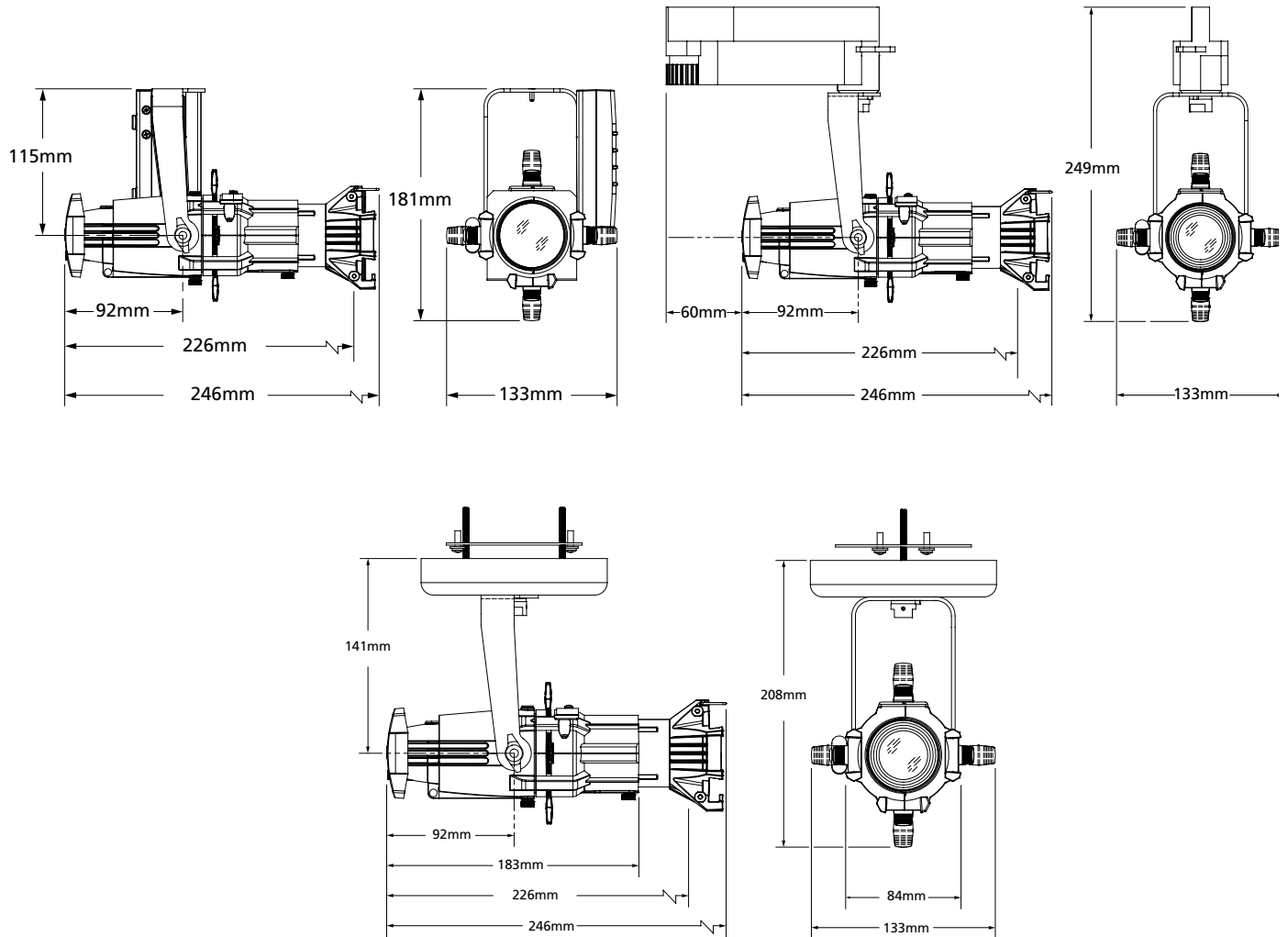
PHYSICAL

Source Four CE Mini Weights and Dimensions\*

MODEL	WEIGHT	SHIPPING WEIGHT
	kgs	kgs
Portable	1.2	1.7
LV Portable (body only)	0.8	1.4
Install Canopy	1.2	1.7
Track Mount	1.1	1.6

NOTE: Fixture without Lens tube - please reduce weights with 0.25kgs

\*Shipping Dimensions: 320mm x 274mm x 152mm



**Corporate Headquarters** • 3031 Pleasant View Rd, PO Box 620979, Middleton WI 53562 0979 USA • Tel +1 608 831 4116 • Fax +1 608 836 1736  
**London, UK** • Unit 26-28, Victoria Industrial Estate, Victoria Road, London W3 6UU, UK • Tel +44 (0)20 8896 1000 • Fax +44 (0)20 8896 2000  
**Rome, IT** • Via Pieve Torina, 48, 00156 Rome, Italy • Tel +39 (06) 32 111 683 • Fax +44 (0)20 8752 8486  
**Holzkirchen, DE** • Ohmstrasse 3, 83607 Holzkirchen, Germany • Tel +49 (80 24) 47 00-0 • Fax +49 (80 24) 47 00-3 00  
**Hong Kong** • Room 1801, 18/F, Tower 1 Phase 1, Enterprise Square, 9 Sheung Yuet Road, Kowloon Bay, Kowloon, Hong Kong • Tel +852 2799 1220 • Fax +852 2799 9325  
**Web** • www.etcconnect.com • Copyright©2016 ETC. All Rights Reserved. All product information and specifications subject to change. 7063L1001-GB Rev I 06/2016  
 U.S. and international patents pending.