

150W HID zoom profiles

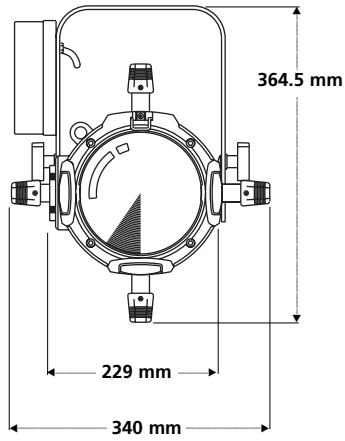


Specifications

Ellipsoidal luminaire 15°-30° and 25°-50°

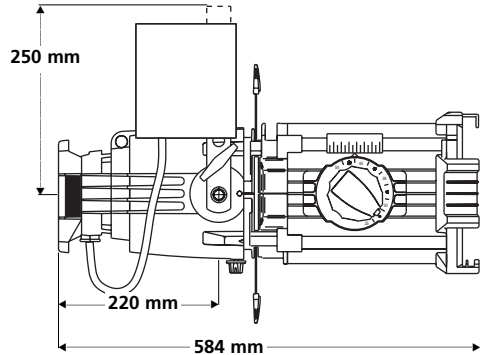
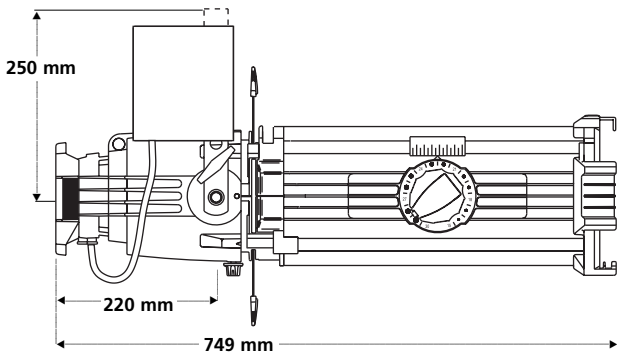
- | | |
|--|--|
| <p>Physical</p> <ul style="list-style-type: none">• Yoke mounted electronic ballast• Die cast and extruded aluminium construction• One-handed focus mechanism with positive lock (patents pending)• Rotating shutter assembly $\pm 25^\circ$• Stainless steel shutters in a tri-plane assembly• Lens tube door provides easy access for lens cleaning• Positive locking double-clutch yoke• Scale markings for field angle and focus settings• Integral die cast colour frame / accessory holders and top mounted retainer• Thermally insulated handles and knobs• Steel yoke with two mounting positions• Slot for glass or stainless steel gobos• Slot with sliding cover for motorised gobo devices or optional iris• Integrated safety cable support <p>Electrical</p> <ul style="list-style-type: none">• 230-240V, 50Hz• 150W electronic ballast• 0.74 Amp operating current• < 14 Amps inrush current• Power Factor > than 95%• Ballast efficiency 90%• High temperature 3-conductor cable in a silicon rubber outer sleeve• CE approved <p>Lamp</p> <ul style="list-style-type: none">• 150 W Ceramic Metal Halide• Shipping with Philips 150W Mastercolor™ CDM lightsource 3000°K colour temperature 12,000 H CRI-85 (Optional 4000°K colour temperature lamp available) | <p>Optical</p> <ul style="list-style-type: none">• The 15°-30° variant has two bi-convex lenses• The 25°-50° uses a plano-convex front lens with a bi-convex rear lens• Lenses have anti-reflective coating• Faceted reflector with dichroic coating• 95% of visible light transmitted through the optical train• 90% of infrared radiation (heat) passes through the reflector• Reflector and lenses secured with anti-vibration shock mounts• Low gate and beam temperature, shutters will not warp or distort• Tool free lamp centring (X/Y) and peak/flat (Z) adjustment knobs• Positive locking X, Y and Z adjustments, unaffected by relamping |
|--|--|

15°- 30° & 25°- 50°



15°- 30°

25°- 50°



Source Four Weights*

	Luminaire Weight kg	Packed Weight kg	Packed Dimensions mm
15-30°	11.3	14.9	300 x 300 x 880
25°-50°	9.3	13.2	290 x 300 x 740

*Weights and dimensions approximate

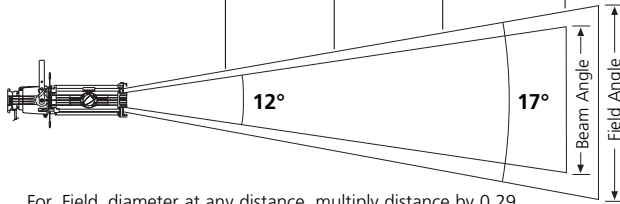
Lamp code	Watts	Volts	Initial Lumens	Colour Temp.	Average Rated Life (hours)	CRI
CDM Mastercolor 150*	96		14,000	3,000°	12,000	85
CDM Mastercolor 150	96		12,000	4,000°	6,000	96

*Supplied with the luminaire

Photometric Data

Source Four HID Zoom 15°- 30°

15°	Distance (m)	10.0	13.0	16.0	20.0
	Field Diameter (m)	3.0	3.9	4.8	6.0
	Illumination (lux)	1660	982	648	415

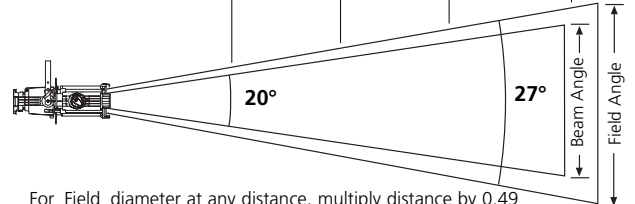


For Field diameter at any distance, multiply distance by 0.29
For Beam diameter at any distance, multiply distance by 0.20

Voltage	Candlepower	Field Lumens	Efficacy LPW	Efficiency %
230	166,000	5,000	33.3	37.0

Source Four HID Zoom 25°- 50°

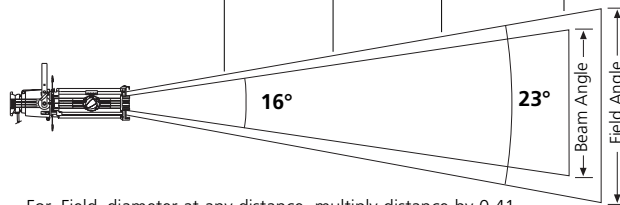
25°	Distance (m)	7.0	9.0	11.0	13.0
	Field Diameter (m)	3.3	4.2	5.1	6.1
	Illumination (lux)	1396	844	565	405



For Field diameter at any distance, multiply distance by 0.49
For Beam diameter at any distance, multiply distance by 0.34

Voltage	Candlepower	Field Lumens	Efficacy LPW	Efficiency %
230	68,400	6,470	43.1	47.9

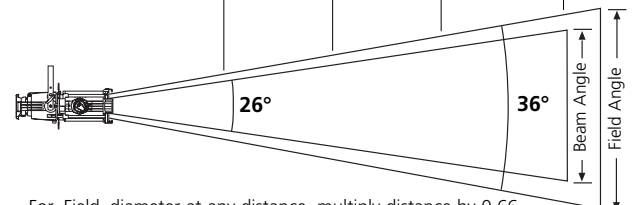
23°	Distance (m)	7.0	10.0	12.0	15.0
	Field Diameter (m)	2.9	4.1	4.9	6.2
	Illumination (lux)	1978	969	673	431



For Field diameter at any distance, multiply distance by 0.41
For Beam diameter at any distance, multiply distance by 0.29

Voltage	Candlepower	Field Lumens	Efficacy LPW	Efficiency %
230	96,900	5,540	36.9	41.0

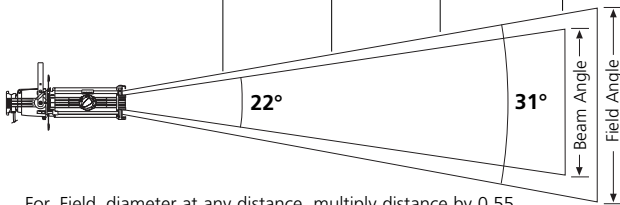
36°	Distance (m)	4.5	6.0	8.0	9.0
	Field Diameter (m)	3.0	4.0	5.3	5.9
	Illumination (lux)	2015	1133	638	504



For Field diameter at any distance, multiply distance by 0.66
For Beam diameter at any distance, multiply distance by 0.46

Voltage	Candlepower	Field Lumens	Efficacy LPW	Efficiency %
230	40,800	6,320	42.1	46.8

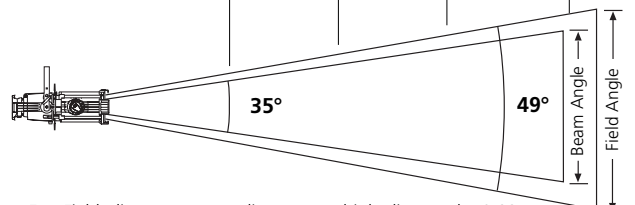
30°	Distance (m)	5.0	7.0	9.0	11.0
	Field Diameter (m)	2.8	3.9	5.0	6.2
	Illumination (lux)	2180	1112	673	450



For Field diameter at any distance, multiply distance by 0.55
For Beam diameter at any distance, multiply distance by 0.38

Voltage	Candlepower	Field Lumens	Efficacy LPW	Efficiency %
230	54,500	5,070	33.8	37.6

50°	Distance (m)	3.0	4.5	5.5	6.5
	Field Diameter (m)	2.8	4.1	5.0	6.0
	Illumination (lux)	3389	1506	1008	722



For Field diameter at any distance, multiply distance by 0.93
For Beam diameter at any distance, multiply distance by 0.67

Voltage	Candlepower	Field Lumens	Efficacy LPW	Efficiency %
230	30,500	6,070	40.5	45.0

All photometric data in this document was prepared using standard production luminaires, and the Prometric™ measurement system. Luminaires were adjusted for a flat field and were tested with a calibrated Philips 150W MasterColor™ CDM Ceramic Metal Halide, 3000°K Colour Temperature, 12,000 hour lamp at rated voltage. All data normalised to nominal lamp lumens.

To determine illumination in footcandles or lux at any throw distance, divide candlepower by distance squared.

Source Four™ HID Zoom

Ordering information

Source Four HID Zoom

Part No	Description
7060A1256-0X	15°–30° Source Four HID Zoom (black)
7060A1257-0X	25°–50° Source Four HID Zoom (black)

Note: Available in black only

ETC Source Four HID Zooms CE are supplied with colour frame, 150W lamp and cable to bare ends as standard.

Source Four HID Zoom Accessories

Part No	Description
7060A1074	Gobo holder A-size, Metal *
7060A1074-1	Gobo holder A-size, Glass *
7060A1075	Gobo holder B-size, Metal
7060A1075-1	Gobo holder B-size, Glass
7060A1022	Safety cable 800mm
7060A1012	Drop-in iris
7060A1020	Colour frame 190 x 190mm (included)
7060A1016	Donut 190 x 190mm
PSF1023	Top hat 190 x 190 x 153mm tube
7060A2028	Balanced yoke assembly kit

*Fits in Iris slot

Optional Mounting Accessory

Part No	Description
7060K1002	Canopy mounting kit



Europe Tel: +44 (0)20 8896 1000 • Fax: +44 (0)20 8896 2000
Americas Tel: +1 608 831 4116 • Fax: +1 608 836 1736
Asia Tel: +852 2799 1220 • Fax: +852 2799 9325
Email: mail@etceurope.com • **Web:** www.etconnect.com



7060L1036-GB Rev 7 & 8