

LIGHT SOURCE TYPE

- Philips 25R 550W lamp
 - CRI: 80+
 - Colour Temperature: 8000K
 - Lamp life expectancy: 1500 hrs
- *It may vary depending on various factors, as type of use and environment**

PHOTOMETRIC DATA

- Zoom range: 3° to 52° (Spot mode) – 2° to 29° (Beam mode)
- 18800 Lumen Output (Integrating Sphere)
- Front lens diameter: 160mm
- High efficiency optical system

NOISE LEVEL

- Auto fan mode: 49.3 dBA

CONTROL and CONNECTIONS

- Personalities: Single mode with 43 control channels
- Control Protocol: DMX, Art-Net, RDM, sACN
- DMX and RDM connectors: Locking 5 pin XLR IN/THRU
- Ethernet port: RJ45 IN
- Power connector: PowerCon True1
- Built In Web Server

DYNAMIC EFFECTS

- Colours:
 - Linear CMY colour mixing (brilliant and lighter Magenta in the **Sharpy X Frame FD** model)
 - Linear CTO
 - Fixed color wheel with 14 dichroic colors
- Gobos:
 - 1 Rotating gobo wheel with 8 HD Indexable and replaceable gobos
Rotating gobo dimensions:
Ext diam. 19 mm
Image diam. 13.5 mm
Thickness 1.1mm
 - 1 Static Gobo Wheel with 18 gobos
- Framing system:
 - 4 blades with +/- 60° rotation of the full system
 - "Total Curtain" effect allowing the full blackout with each single blade
 - Built In macros
- Frost:
 - Linear heavy frost 5° for wash effect **Sharpy X Frame**
 - Linear light frost 2° for wash effect **Sharpy X Frame FD**
- Rotating Effects
 - Aluminum animation wheel with continuous rotation in both direction at variable speed
 - 2 prisms (4 and 8 facet) with rotation in both direction at variable speed
- Iris:
 - Motorized with variable pulse and random effects
- Movement:
 - Tilt: 270° - 16bit
 - Pan: 540° - 16bit
 - Accuracy: Resolution $\pm 0.27^\circ$ (Range 0.54°)
 - Automatic repositioning
 - Fast/Standard speed selectable by Function channel
 - Mechanical Pan/Tilt lock for safe transportation and maintenance
- Beam:
 - Motorized Zoom and Focus
- Dimmer/Shutter :
 - High resolution dimmer 16 bit
 - Shutter and Strobe effect

HARDWARE and SOFTWARE

- Long life self-charging battery
- Display Graphic LCD backlit b/w Display
- Firmware upload from another fixture
- Firmware Upgrade via Web Server
- Diagnostic
- DMX monitoring
- Remote access through RDM
- CloudIO compatibility

HOUSING

- Aluminum and steel structure with plastic covers
- Two side handles for transportation
- IP20 protection rate

WORKING POSITION

- Working in any position
- Hanging system: with fast-lock omega clamps (1/4 turn) on the base
- Optional safety chain

ELECTRICAL

- Operating Voltage: 100-240V, 50/60 Hz
- Power Supply: Electronic auto range with active PFC
- Max Power consumption: 750VA

THERMAL SPECIFICATION

- Max ambient temperature 45°C (113°F)
- Min ambient temperature -20°C (-4°F)
- Max temperature of the external surface 90°C (194°F)
- Total heat dissipation: 2562 BTU/hr \pm 10% / 2700 kJ/hr \pm 10%

SAFETY SPECS

- Minimum distance of illuminated objects 8 meters (26' 3")
- Minimum distance from flammable materials 0.2 meters (8")
- Fuse T10A – 250V
- Thermally protected power supply (overheating and cooling failure)
- Forced ventilation with axial fans

COMPLIANCE

- CE: conforms to the European Directives
- UKCA: conforms to UK Regulations
- EAC: conforms to EurAseC Regulations

- cMETus Listed

PACKAGING

- Carton box + Polystyrene
- Carton box + Foam shell
- Flight case + Foam shell (2 positions)

WEIGHT - SIZE

- 28 Kg (61.7 lbs)
- 306x350mm (base dimension) – 668 with vertical head (h)
- Distance between two fixtures 505mm

ACCESSORIES

- Omega clamps: 2x183102/805 (included)
- Power cord: CAB02B/802 (included)

- Foam shell: F21326/001 (optional)
- Flight case 2 positions: CF1006 (optional)
- Safety Chain: 105041/003 (optional)
- Sharpy X Frame to Sharpy X Frame FD conversion kit : CA3005000102 (optional)
- Sharpy X Frame FD to Sharpy X Frame conversion kit : CA3006000102 (optional)



The Scenius Unico is the latest addition to the Scenius family, therefore its first highly appealing feature is the quality of its light (1400W Osram lamp, 6500K, very high CRI). It is a magnificent **spot light** for projecting effects, with six rotating gobos, a rotating prism a beautiful animation wheel, and it is equipped with the most sophisticated and most precise **framing system** on the market today. The Scenius Unico is also an excellent **wash light**, since it features a system with different diffusion filters, which may be inserted gradually. However the most amazing feature is that the Scenius Unico can also generate **a powerful narrow beam of super concentrated light**, with a minimum beam angle of only 5 degrees.

- Multifunctional light
- 1400W Osram discharge lamp
- 6500 K output color temperature
- Very high CRI
- 180 mm Ø front lens
- 5°- 55° linear zoom
- Focus tracking system
- CMY System + Linear CTO
- 7-color wheel
- Framing System operating on 4 focal planes
- Framing System rotation on 90°
- 6 rotating gobos
- Rotating Prism
- Graphic animation wheel
- 16 blades fast Iris
- Variable “soft edge” frost
- Variable flood frost
- Very precise 0-100% dimmer
- Fast stop/strobe effect
- Light can be run at 1400W or 1200W
- Art-Net / RDM



Scenius Unico

C61515

Specifications

04/2018

2

POWER SUPPLIES

AC power input Neutrik PowerCON TRUE1 (IP65)
200-240V 50/60 Hz

INPUT POWER

1800 VA

LIGHT SOURCE

OSRAM Lok-it! HTI 1400/PS Lamp
- Color Temperature: 6.000 K
- Life: 750 hrs
- Very high CRI
- Luminous flux: 120000 lm
- Base PGJ28 Lok-it!
- Light can be run at 1400W or 1200W in Energy Saving mode

OPTICS

5°-55° Linear Zoom
ø180 mm front lens
Electronic Focusing

COLOR SYSTEM

CMY System
Linear CTO
Color Wheel with 7 color filters

FRAMING SYSTEM

4 Blades that move separately
Smooth, flexible blade movements at variable speed
A "total curtain" effect made separately by each of the 4 blades, in many - shapes and colors
Small and large dynamic profiles
90° rotation of the entire system, at variable speed

EFFECTS SECTION

One wheel with 6 rotating gobos
Animation Wheel
Rotating Prism with 4 faces
16 blades fast Iris
Variable "soft edge" frost
Variable flood frost
Very precise 0-100% dimmer
Fast stop/strobe effect

CONTROL AND PROGRAMMING

40 or 44 DMX 512 control channels
DMX protocol signal: USITT DMX 512
Art-Net / RDM
Display: LCD 128 x 64 dots, backlit LED, white on black
Pan and Tilt Resolution: 16 bit
Focus Indexing Resolution: 16 bit
Dimmer Resolution: 16 bit
Rotation gobo Resolution: 16 bit
Movement control: vectorial
DMX signal connection: 5 pole XLR input and output
Software upload through DMX input / Ethernet input

BODY

Aluminum and steel structure with plastic covers
Two side handles for transportation
Device locking PAN and TILT mechanisms for transportation and maintenance

MOVING BODY

PAN
Angle Rotation: 540°
Fast speed: 4.210 sec
Normal Speed: 4.958 sec
PAN Resolution: 2.10938°
PAN FINE Resolution: 0.00824°
Accuracy:
Resolution $\pm 0.1^\circ$ (Range 0.2°)
TILT
Angle Rotation: 268°
Fast speed: 2.536 sec
Normal Speed: 3.246 sec
Resolution 1.04688°
TILT FINE Resolution: 0.00409°
Accuracy:
Resolution $\pm 0.1^\circ$ (Range 0.2°)

ELECTRONICS

- Long life self-charging buffer battery
- ON/OFF lamp control from the lighting desk
- Function reset from the lighting desk
- “AUTOTEST” function from menu ARTNET
- Electronic monitoring with status error
- Cooling system monitoring
- DMX level monitoring on all channels
- Internal data transmission diagnostics
- Firmware Upgrade with no power
- Firmware upload from another fixture

SAFETY DEVICES

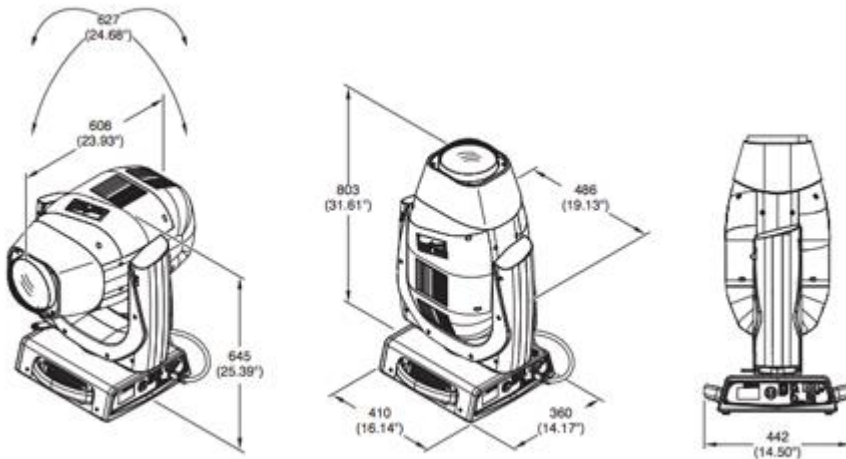
- Bipolar circuit breaker with thermal protection
- Automatic break in power supply in case of overheating
- Forced ventilation with axial fans

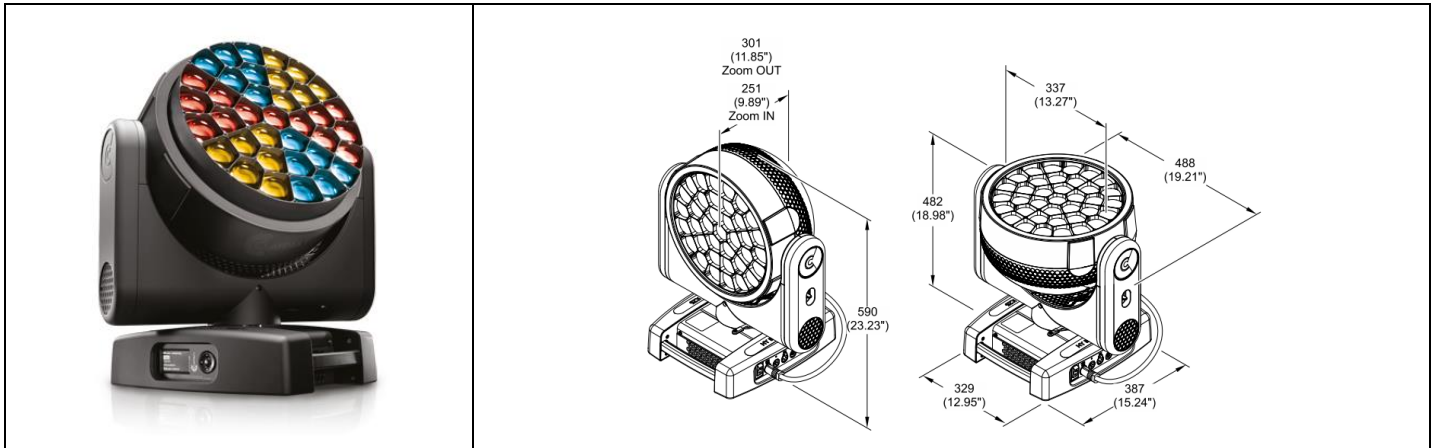
WORKING POSITION

- Working in any position
- Hanging system: with fast-lock omega clamps (1/4 turn) on the base

WEIGHT & DIMENSIONS

45,6 Kg (100.5 lbs)





POWER SUPPLIES

100-240V 50/60Hz.

INPUT POWER

1250 VA @230Vac - 50Hz.

LIGHT SOURCE

37 RGBW LEDs driven at 40 Watt.
Type: OSRAM OSTAR - Stage II LE RTDUW S2WN.
Color Temperature: 6000 K.
Life: 50000 hrs.

OPTICS

4°-60° Electronic Zoom Range.

EFFECTS SECTION

Three operating modes: wash, beam, FX (Kaleido effects).
Bi-directional Rotating Front Lens.
Digital Wash-Beam Framing effect.
Beam edge softening control (in Wash mode).
Pixel Patterning Macros with enhanced control.
0-100% linear electronic dimmer.
Adjustable speed stop/strobe effect, with instantaneous blackout.
Dedicated channel for color temperature setting.
White CT Emulation 2500-8000K.
RGBW auto-tuning to lamp CT Emulation.
Tungsten Lamp Emulation.
Slow Strobe: 1 flash/sec; Fast Strobe: 25 flash/sec.

CONTROL AND PROGRAMMING

22/36/111/148 DMX channels.
Basic Engine (Standard and Shape Mode).
Pixel Engine (RGB and RGBW Mode).
DMX protocol signal: USITT DMX 512.
Art-Net / RDM / sACN.
Arkaos Kling-Net protocol already included in the firmware.
Display: Graphic LCD backlit b/w Display.
Pan/Tilt Resolution: 16 bit.
Dimmer Resolution: 16 bit.
Movement control: vectorial.
DMX signal connection: 3 and 5 pole XLR input and output.
Software upload through DMX input.

BODY

Aluminum structure with die-cast plastic cover.
Two side handles for transportation.
PAN and TILT lock for transport and maintenance.

IP RATING

IP 20 - Protected against the entry of solid bodies larger than 12mm (0.47"); No protection against the entry of liquids.

ELECTRONICS

Long-life auto-charging buffer battery.
Preset color and graphic effect macros.
Function reset controllable from a central control unit.
Menu-driven internal self-test function.
Ethernet ready with RJ45 socket.
Display: backlit black-and-white graphic LCD display.
Electronic check-up of every single parameter with error alarm.
DMX level monitoring on each channel.
Automatic internal data transmission error diagnostics.
Firmware upgrade even when the unit is not connected to the power supply.
Firmware transfer from one light to another.

MOTORS

Stepper motors, microprocessor controlled.

MOVING BODY

Movement by means of two stepper motors, controlled by microprocessor.
Automatic repositioning of PAN and TILT after accidental movement not controlled by control unit.

Travel:

- PAN = 540°
- TILT = 210°

WORKING POSITION

Working in any position.
Hanging system: with fast-lock omega clamps (1/4 turn) on the base.
Optional safety chain.

SAFETY DEVICES

Automatic power safety derating in case of overheat of the LED board.
Forced ventilation.

CE MARKING

In conformity with the European Directives:
2014/35/EU - Safety of electrical equipment supplied at low voltage (LVD).
2014/30/EU - Electromagnetic Compatibility (EMC).
2011/65/EU - Restriction of the use of certain hazardous substances (RoHS).
2009/125/EC - EcoDesign requirements for Energy-related Products (ErP).

ETL

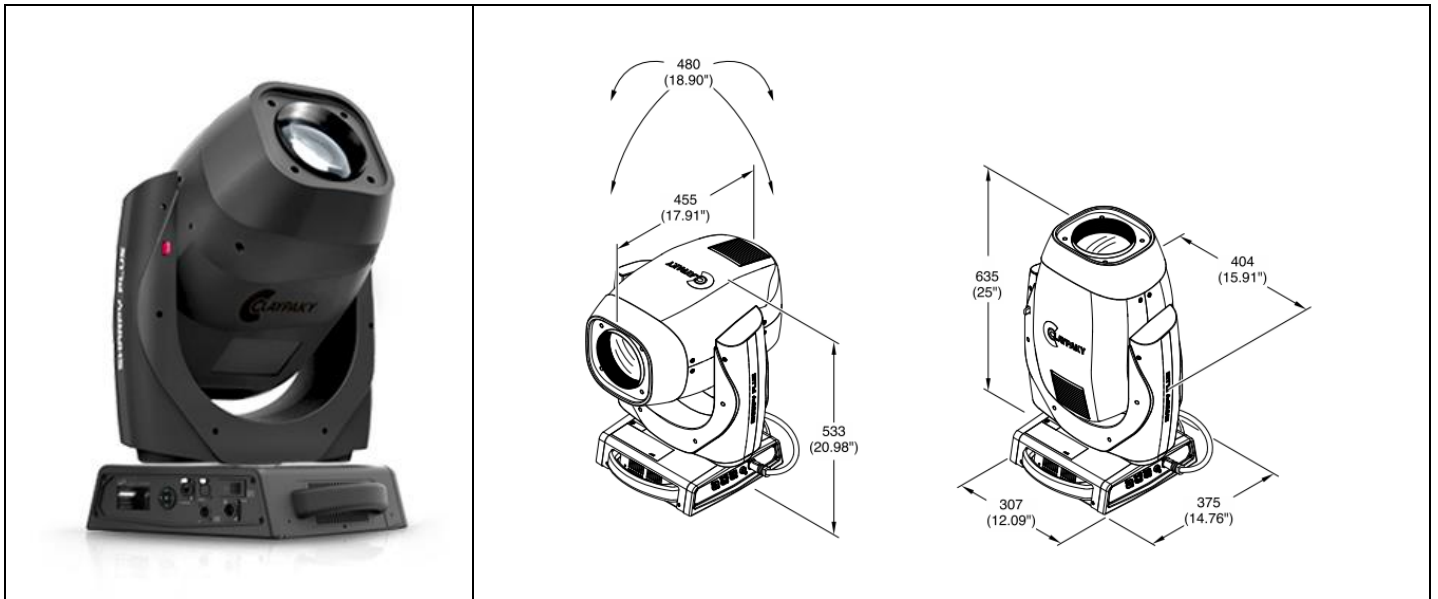
This product is available, on demand, with cETLus Listed Mark.

PACKAGING

Carton box + Polystyrene.
Carton box + Foam shell.
Flight case + Foam shell (2 position).

WEIGHT

27,5 Kg (60.6 lbs).



LIGHT SOURCE TYPE

- 330W X8 HRI Sirius Osram Arc Lamp
- Colour Temperature: 8000K \pm 300
- Lamp average lifetime: 1500 hrs

***It may vary depending on various factors, as type of use and environment**

PHOTOMETRIC DATA

- Zoom range: 3°- 36°
- 12000 Lumen Output
- Front lens diameter: 135mm
- High efficiency optical system

NOISE LEVEL

- 49.0 dBA

CONTROL and CONNECTIONS

- Personalities: Single mode with 31 control channels
- Control Protocol: DMX, Art-Net, RDM, sACN.
- DMX and RDM connectors: Locking 5 pin XLR IN/OUT
- Ethernet port: RJ45 IN
- Power connector: Power Con True1 IN
- Built In Web Server

DYNAMIC EFFECTS

- Colours:
 - Linear CMY colour mixing
 - 15 colors on 3 wheels (2 CTO filters)
- Gobos:
 - 1 Static gobo wheel with 18 gobos, 6 beam reducers (down to 0.5°)
 - 1 Rotating gobo wheel with 8 HD Indexable and replaceable gobos
 - Ext diam. 15.9mm
 - Image diam. 12mm
 - Thickness 1.1mm
- Frost:
 - Linear soft edge frost filter
- Rotating Effects
 - Aluminum animation wheel with continuous rotation in both direction at variable speed
 - 4 Facets prism with rotation in both direction at variable speed
 - 8 Facets prism with rotation in both direction at variable speed
- Movement:
 - Tilt: 270° - 16bit
 - Pan: 540° - 16bit
 - Accuracy: Resolution $\pm 0,28^\circ$ (Range 0,56°)
 - Automatic repositioning
 - Fast/Standard speed selectable by Function channel
 - Mechanical Pan/Tilt lock for safe transportation and maintenance
- Beam:
 - Motorized Zoom and Focus
- Dimmer/Shutter :
 - High resolution Dimmer - 16 bit
 - High speed Shutter and Strobe

HARDWARE and SOFTWARE

- Long life self-charging battery
- Display Graphic LCD backlit b/w Display
- Firmware upload from another fixture
- Firmware Upgrade via Web Server
- Diagnostic
- DMX monitoring
- Remote access through RDM
- CloudIO compatibility

HOUSING

- Aluminum and steel structure with plastic covers
- Two side handles for transportation
- IP20 protection rate

WORKING POSITION

- Working in any position
- Hanging system: with fast-lock omega clamps (1/4 turn) on the base
- Optional safety chain

ELECTRICAL

Operating Voltage: 100-240V, 50/60 Hz

- Power Supply: Electronic auto range with active PFC
- Max Power consumption: 540VA

THERMAL SPECIFICATION

- Max ambient temperature 40°C (104°F)
- Min ambient temperature -10°C (14°F).
- Max temperature of the external surface 90°C (194°F)
- Total heat dissipation: 1845 BTU/hr \pm 10% / 1944 kJ/hr \pm 10%

SAFETY SPECS

- Fuse T6.3A – 250V
- Minimum distance of illuminated objects 8 meters (26' 3")
- Minimum distance from flammable materials 0.2 meters (8")
- Thermally protected power supply (overheating and cooling failure)
- Forced ventilation with axial fans

COMPLIANCE

CE marking: In conformity with the European Directives:

- 2014/35/EU - Safety of electrical equipment supplied at low voltage (LVD)
- 2014/30/EU - Electromagnetic Compatibility (EMC)
- 2011/65/EU - Restriction of the use of certain hazardous substances (RoHS)
- 2009/125/EC - EcoDesign requirements for Energy-related Products (ErP)

- UKCA: conforms to UK legislation

- cETLus Listed / cMETus Listed

PACKAGING

- Carton box + Polystyrene
- Carton box + Foam shell
- Flight case + Foam shell (2 positions)

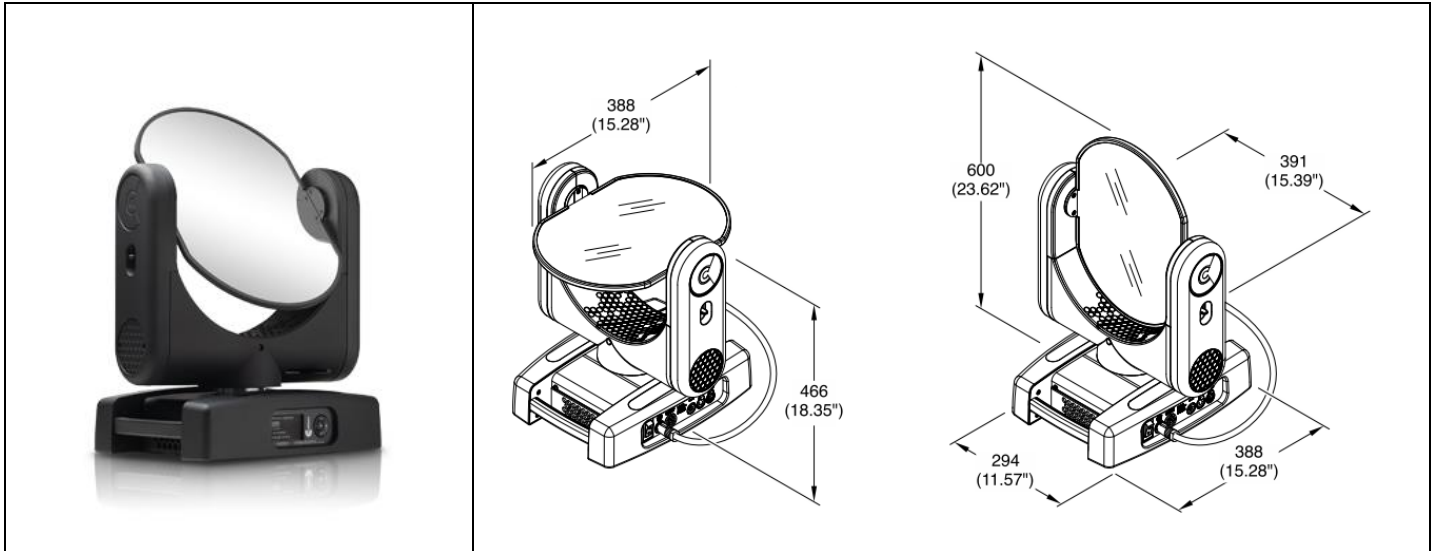
WEIGHT - SIZE

- 23.0 Kg (50.7 lbs)
- 307x375mm (base dimension) – 635mm with vertical head (h)
- Distance between two fixtures 500mm

ACCESSORIES

- Omega clamps:-----2x183102/805 (included)
- Power cord:-----CAB02B/802 (included)

- Foam shell:-----F21312/001 (optional)
- Flight case:-----CF1000 (optional)
- Safety Chain:-----105041/003 (optional)
- Frost assembly 5°:-----371081/802 (optional)
- Linear Prism assembly:-----371020/803 (optional)



POWER SUPPLIES

AC power input Neutrik PowerCON True1 100-240V, 50/60 Hz
In/Out True1 (Max 15 fixtures / 1600VA)

INPUT POWER

100 VA @230Vac - 50Hz

CHANNELS

6 control channels

EFFECTS SECTION

- Pan
- Tilt (continuous movement from min 0.08rpm to max 40 rpm)

CONTROL AND PROGRAMMING

- Control signal USITT DMX 512, RDM, Art-Net, sACN
- Display Graphic LCD backlit b/w Display
- Display battery Long life self-charging buffer battery
- Pan/Tilt Resolution 16 bit
- Ethernet Input

IP RATING

IP 20 - Protected against the entry of solid bodies larger than 12mm (0.47") No protection against the entry of liquids

MOTORS

2 stepper motors, microprocessor controlled

INPUTS

DMX 512, 5 pin In & Out connector / Art-Net

ELECTRONICS

- Long life self-charging battery
- Function reset via on-board menu
- Function reset from the lighting desk
- "AUTOTEST" function from menu
- Electronic monitoring with status error reporting and logging
- DMX level monitoring on all channels
- Internal data transmission diagnostics
- Firmware upgrade with no power (CPU only)
- Firmware upload from another fixture (CPU only)
- Firmware Upgrade via Web Server
- Protocols/Functions: RDM, Web Server, ArtNet
- Extremely reliable communication RS485 bus

BODY

- Aluminum and steel structure with plastic covers
- Two side handles for transportation
- Device locking PAN and TILT mechanisms for transportation and maintenance
- Optional safety chain

MOVING MIRROR/BODY

- PAN range 540°
- TILT continuous range 360°

WORKING POSITION

- Working in any position
- Optional safety chain
- Hanging system: with fast-lock omega clamps (1/4 turn) on the base

SAFETY SPECIFICATIONS

- Max ambient temperature 40°C (104°F)
- Safety devices circuit breaker with thermal protection

CE MARKING

In conformity with the European Directives:

- 2014/35/EU - Safety of electrical equipment supplied at low voltage (LVD)
- 2014/30/EU - Electromagnetic Compatibility (EMC)
- 2011/65/EU - Restriction of the use of certain hazardous substances (RoHS)
- 2009/125/EC - EcoDesign requirements for Energy-related Products (ErP)

ETL

cETLus Listed Mark

PACKAGING

Carton box + Polystyrene / Carton box + Foam shell / Flight case + Foam shell (2 position)

WEIGHT

13.5 Kg (29.76 lbs)