

### LIGHT SOURCE TYPE

- Tailor-made laser engine, enclosed in a sealed module
  - Solid, flat field, saturated, ultra-concentrated light beam without any visible hotspots
  - Long lasting light source (20,000 hours) with minimal decay
- \*It may vary depending on various factors, as type of use and environment**

### PHOTOMETRIC DATA

- Aperture: 1°-7° range (up to 0.5° using beam diameter reducers)
- Total lumen output: 2900 lm
- Front lens diameter: 150mm
- High efficiency optical system

### NOISE LEVEL

- 51.5 dBA

### CONTROL and CONNECTIONS

- Personalities: Single mode with 31 control channels
- Control Protocol: DMX, Art-Net, RDM, sACN
- DMX and RDM connectors: Locking 5 pin XLR IN/OUT
- Ethernet port: RJ45 IN
- Power connector: PowerCon True1 IN/OUT
- Built In Web Server

## DYNAMIC EFFECTS

- Colours:
  - RGB laser based system with derating to preserve laser diodes
  - Linear virtual CTO 2500K – 6500K
- Gobos:
  - 1 Rotating gobo wheel with 7 HD Indexable and replaceable gobos
  - Ext diam. 25.9mm (cut @ 25mm)
  - Image diam. 11mm
  - Thickness 0.5mm
  
  - 1 Static gobo wheel with 12 gobo slots: 5gobos and 7 beam reducers
- Rotating Effects
  - Rotating Prisms disk: Convex plane, Pyramid 6 facets, Linear 6 facets, Frost
  - 16 Facets prism with rotation in both direction at variable speed
- Movement:
  - Tilt: 251° - 16bit
  - Pan: 540° - 16bit
  - Accuracy: Resolution  $\pm 0,28^\circ$  (Range 0,56°)
  - Automatic repositioning
  - Fast/Normal speed selectable by Function channel
  - Mechanical Pan/Tilt lock for safe transportation and maintenance
- Beam:
  - 1° aperture – beam mode
  - Motorized Focus – 16bit
- Dimmer/Shutter :
  - Very precise 0-100% digital dimmer, dimmer Resolution: 24 bit
  - High speed electronic Shutter and Strobe

## HARDWARE and SOFTWARE

- Long life self-charging battery
- Display Graphic LCD backlit b/w Display
- Firmware upload from another fixture
- Firmware Upgrade via Web Server
- Diagnostic
- DMX monitoring
- Remote access through RDM
- CloudIO compatibility

## HOUSING

- Aluminum and steel structure with plastic covers
- Two side handles for transportation
- IP20 protection rate

## WORKING POSITION

- Working in any position
- Hanging system: with fast-lock omega clamps (1/4 turn) on the base pn 183102/805
- Optional safety chain

### **ELECTRICAL**

- Operating Voltage: 100-240V, 50/60 Hz
- Power Supply: Electronic auto range with active PFC
- Max Power consumption: 400VA
- Mains Out: Max 1600VA

### **THERMAL SPECIFICATION**

- Max ambient temperature 40°C (104°F)
- Min ambient temperature -20°C (-4°F)
- Max temperature of the external surface 60°C (140°F)
- Total heat dissipation: 1366 BTU/hr ±10% / 1440 kJ/hr ±10%

### **SAFETY SPECS**

- Minimum distance of illuminated objects 10 meters (32' 10")
- Minimum distance from flammable materials 0.2 meters (8")
- Thermally protected power supply (overheating and cooling failure)
- Forced ventilation with axial fans and heat sink
- Safety devices bipolar circuit breaker with thermal protection

### **COMPLIANCE**

In conformity with the European Directives:

- 2014/35/EU - Safety of electrical equipment supplied at low voltage (LVD)
- 2014/30/EU - Electromagnetic Compatibility (EMC)
- 2011/65/EU - Restriction of the use of certain hazardous substances (RoHS)
- 2009/125/EC - EcoDesign requirements for Energy-related Products (ErP)
  
- cETLus Listed

### **PACKAGING**

- Carton box + Polystyrene
- Carton box + Foam shell
- Flight case + Foam shell (2 positions)

### **WEIGHT - SIZE**

- 24 Kg (52.9 lbs)
- 388x294mm (base dimension) – 582mm with vertical head (h)
- Distance between two fixtures 400mm

### **ACCESSORIES**

- Omega clamps: 2x183102/805 (included)
- Foam shell: F21318/001 (optional)
- Flight case: CF1004 (optional)
- Power cord: CAB03D/802 - ETL (included)
- Safety Chain: 105041/001 (optional)



**Scenius** is the new moving head spotlight at the top of the Clay Paky range. Its advanced optical unit and the new 1400W OSRAM discharge lamp provide a much higher light output than with previous generation 1500W lamps. Thanks to its wide 8°-48° zoom, Scenius is perfect for every use. A modern focus tracking system concentrates maximum luminous efficiency precisely on the effect you wish to project, and the focus may be set to be fully automatic. With Scenius you have a light in your hands whose white light and color reproduction fidelity will completely amaze you. The fixture produces a 6500 K output color temperature that does not vary over time; also, Scenius can count on a very high CRI, which is extremely unusual for a metal halide light source. The colors cover a broad spectrum, even including pastel shades, thanks to a CMY system, a 7-color wheel and a linear CTO filter. The special effects are of course top-ranking: 2 rotating gobo wheels, each with 6 interchangeable gobos, a rotating prism and an interchangeable graphics wheel for spectacular new effects, a highly precise iris. The fixture can also be used in wash mode by inserting a new design of frost filter. It can be run at 1400W or in energy saving mode at 1200W.

- 1400W OSRAM discharge lamp
- 8°-48° zoom
- Focus tracking system
- 6500 K output color temperature
- Very high CRI
- CMY System + Linear CTO
- 7-color wheel
- 2 Wheels with 6+6 rotating Gobos
- Rotating Prism
- Interchangeable Graphics Wheel
- 16 blades fast Iris
- Variable "soft edge" frost
- Variable flood frost
- Very precise 0-100% dimmer
- Fast stop/strobe effect
- Light can be run at 1400W or 1200W
- Art-Net / RDM
- Quiet, reliable and road-ready
- Weight: 38 Kg



# Scenius Spot

## C61500

Specifications

01/2018

### POWER SUPPLIES

AC power input Neutrik PowerCON TRUE1 (IP65)  
200-240V 50/60 Hz

### INPUT POWER

1800 VA

### LIGHT SOURCE

OSRAM Lok-it! HTI 1400/PS Lamp  
- Color Temperature: 6.000 K  
- Life: 750 hrs  
- Very high CRI  
- Luminous flux: 120000 lm  
- Base PGJ28 Lok-it!  
- Light can be run at 1400W or 1200W in Energy Saving mode

### OPTICS

Zoom 8° - 48°  
ø142 mm front lens  
Electronic Focusing

### COLOR SYSTEM

CMY System  
Linear CTO  
Color Wheel with 7 color filters

### EFFECTS SECTION

Two wheels with 6+6 rotating gobos (image ø26 mm)  
Interchangeable Graphics Wheel  
Optional 8-fixed gobo wheel (interchangeable with the Graphics Wheel)  
Rotating Prism with 4 faces  
16 blades fast Iris  
Variable "soft edge" frost  
Variable flood frost  
Very precise 0-100% dimmer  
Fast stop/strobe effect



# Scenius Spot

## C61500

Specifications

01/2018

### CONTROL AND PROGRAMMING

32 or 36 DMX 512 control channels  
DMX protocol signal: USITT DMX 512  
Art-Net / RDM  
Display: LCD 128 x 64 dots, backlit LED, white on black  
Pan and Tilt Resolution: 16 bit  
Focus Indexing Resolution: 16 bit  
Dimmer Resolution: 16 bit  
Rotation gobo Resolution: 16 bit  
Movement control: vectorial  
DMX signal connection: 5 pole XLR input and output  
Software upload through DMX input / Ethernet input

### BODY

Aluminum and steel structure with plastic covers  
Two side handles for transportation  
Device locking PAN and TILT mechanisms for transportation and maintenance

### MOVING BODY

#### PAN

Angle Rotation: 540°  
Fast speed: 4.210" sec  
Normal Speed: 4.958" sec  
Resolution TILT: 2.10938°  
Resolution TILT FINE: 0.00824°  
Accuracy:  
Resolution  $\pm 0.2$  (Range 0.4°)

#### TILT

Angle Rotation: 268°  
Fast speed: 2.536" sec  
Normal Speed: 3.246" sec  
Resolution TILT: 1.04688°  
Resolution TILT FINE: 0.00409°  
Accuracy:  
Resolution  $\pm 0.2$  (Range 0.4°)

### ELECTRONICS

- Long life self-charging buffer battery
- ON/OFF lamp control from the lighting desk
- Function reset from the lighting desk
- “AUTOTEST” function from menu ARTNET
- Electronic monitoring with status error
- Cooling system monitoring
- DMX level monitoring on all channels
- Internal data transmission diagnostics
- Firmware Upgrade with no power
- Firmware upload from another fixture

### SAFETY DEVICES

- Bipolar circuit breaker with thermal protection
- Automatic break in power supply in case of overheating
- Forced ventilation with fans and heat sink.

### WORKING POSITION

- Working in any position
- Hanging system: with fast-lock omega clamps (1/4 turn) on the base

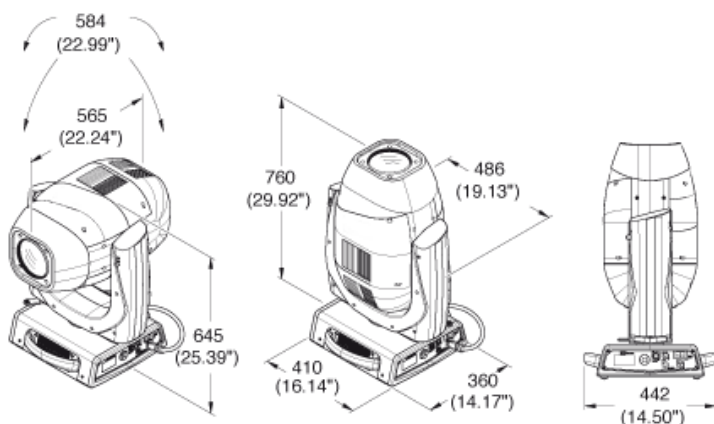
### CE MARKING

In conformity with the European Directives:

- 2014/35/EU - Safety of electrical equipment supplied at low voltage (LVD)
- 2014/30/EU - Electromagnetic Compatibility (EMC)
- 2011/65/EU - Restriction of the use of certain hazardous substances (RoHS)
- 2009/125/EC - EcoDesign requirements for Energy-related Products (ErP)

### WEIGHT & DIMENSIONS

38 kg (83.6 lbs)





Mythos<sup>2</sup> features a new and reliable Osram Sirius HRI 440W lamp, which ensures the extraordinary performances that have made the success of MYTHOS worldwide. Mythos 2 is an excellent spotlight, which produces an outstanding large light beam, featuring a zoom that ranges from 4° to 50° (1:12 ratio). Light beam is sharp, with perfectly defined edges, from the first millimeters after the front lens right along its entire length. The zoom is optimized for focusing, which is separate from that of the fixed and rotating gobos. Its movements are smooth, fast and very quiet. Mythos 2 also features an indexed visual effect disc, which may be superimposed on all the gobos, both in and out of focus. But Mythos 2 is also an extraordinary beam light, allowing you to switch to a minimum fixed beam angle of just 2.5°. A large, very dense, 160 mm-diameter light beam leaves the Mythos's front lens and remains parallel for its entire length even at great distances. Mythos 2 is a very versatile tool, which is useful in any situation and therefore an excellent investment.

- Osram Sirius HRI 440W discharge lamp - Large 160mm diameter front lens
- Electronic focusing for a perfectly sharp light beam along its entire length
- 4° - 50° electronic zoom (Spotlight mode) - 2.5° aperture and "pipe" effect (Beam mode)
- CMY color mixing with gradually fading color wheels - 14 special color filters on three wheel
- 2 CTO filters (3200 K and 2500 K) + 1 CTB filter - Wheel with 6 HQ dichroic rotating gobos
- Wheel with 18+1 fixed metal gobos - 6 beam reducer filters on the gobo wheel
- Advanced visual effect disc (animation disc)
- 2 indexable rotating prisms (8-facet and linear 4-facet prism) - Frost filter for soft-edge projection
- High precision dimmer and stop-strobe effect - Rapid and extensive pan and tilt movements
- High performance electronics and firmware - Art-Net / RDM
- Patented Italian Design



## **POWER SUPPLIES**

AC power input Neutrik PowerCON TRUE1 (IP65)  
115/230V 50/60 Hz  
Automatic power supply switching

## **INPUT POWER**

700VA at 230V 50Hz

## **LIGHT SOURCE**

440W discharge lamp  
- Type: OSRAM SIRIUS HRI® 440W  
- Life: 1,500hrs  
- Luminous flux: 22,000 lm  
- Cap by faston TM 250 (6.35 mm)

## **OPTICS**

160mm diam. front lens  
Electronic focusing for a perfectly sharp light beam along its entire length  
Zoom ranging from 4° to 31° for fixed gobos sharp focusing  
Zoom range from 6.7° to 50° for rotating gobos sharp focusing  
BEAM mode with 2.5° aperture and “pipe” effect

## **COLOR SYSTEM**

CMY color system based on 3 gradually fading color wheels  
14 color filters on three wheels  
2 CTO filters (3,200K and 2,500K) + 1 CTB filter

## **EFFECTS SECTION**

2 gobo wheels:  
- wheel with 6 HQ dichroic, indexable and interchangeable rotating gobos (Ø 25.9mm).  
- Interchangeable and variable rotating wheel with 18+1 fixed metal gobos (including 6 beam reducers).  
Selectable Gobo-Shake function  
Advanced Visual Effect Disc (Animation disc)  
2 indexable and interchangeable rotating prisms (8-facet and linear prism)  
Frost unit to soften the beam edge  
High precision 0-100% dimmer  
Mechanical shutter and adjustable speed strobe effect

## **CONTROL AND PROGRAMMING**

30/34 DMX 512 control channels  
DMX protocol signal: USITT DMX 512  
Art-Net / RDM  
Display: Graphic LCD backlit b/w Display  
Pan/Tilt Resolution: 16 bit  
Gobo Indexing Resolution: 16 bit  
Focus Resolution: 16 bit  
Dimmer Resolution: 16 bit  
Movement control: vectorial  
DMX signal connection: 5 pole XLR input and output  
Software upload through DMX input

## BODY

Aluminum structure with die-cast plastic cover. Two side handles for transportation.  
Device locking PAN and TILT mechanisms for transportation and maintenance.

## MOVING BODY

Angle:

- PAN = 540° - TILT = 244°

Resolution:

- PAN = 2.11° - PAN FINE = 0.008°

- TILT = 0.960° - TILT FINE = 0.004°

Automatic repositioning of PAN and TILT after accidental movement not controlled by control unit.

## ELECTRONICS

Long life self-charging buffer battery. Pre-set macros. Function reset from control unit

"ENERGY SAVING" function: with the stop or total dimmer effect on, or with all the CMY filters full (black), consumption cut by 50%. ON/OFF lamp control from the lighting desk.

Function reset from the lighting desk. "AUTOTEST" function from menu

Electronic monitoring with status error. Cooling system monitoring.

DMX level monitoring on all channels. Internal data transmission diagnostics.

Firmware Upgrade with no power. Firmware upload from another fixture.

## SAFETY DEVICES

Bipolar circuit breaker with thermal protection. Automatic break in power supply in case of overheating or failed operation of cooling system. Forced ventilation with axial fans.

## WORKING POSITION

Working in any position. Hanging system: with fast-lock omega clamps (1/4 turn) on the base

## CE MARKING

In conformity with the European Directives:

- 2014/35/EU - Safety of electrical equipment supplied at low voltage (LVD)
- 2014/30/EU - Electromagnetic Compatibility (EMC)
- 2011/65/EU - Restriction of the use of certain hazardous substances (RoHS)
- 2009/125/EC - EcoDesign requirements for Energy-related Products (ErP)

## WEIGHT & DIMENSIONS

32 kg (70.54 lbs)

