



# ARCHILED 150

Low consumption, long lifetime, no maintenance, high luminous flux, these are the four simple secrets for a luminous future: the future of the Archiled.  
Also available in white + amber version.



available version:  
art. 0701: RGB+A ARCHILED150/C (rgb+amber)  
art. 07011: W+A ARCHILED150/C (white+amber)

available accessories:  
art. 0701/A: barn door to define the illuminated surface  
art. AL-BASE: base plate for static installation  
art. FFB/C: aluminium fast fixing bracket kit for an easy and quick installation  
art. CLAMP/C: professional aluminium clamp  
art. AL-COLOUR: extra charge for white finishing  
art. AL-10BL: 10° narrow beam lenses kit  
art. AL-45BL: 45° wide beam lenses kit  
art. AL-15.90BL: 15°x90° letter box lenses kit (horizontal or vertical)  
art. AL CASE x 4: flight case for n.4 ARCHILED

**Studio Due**

Head Quarter: **STUDIO DUE** s.r.l.  
Str. Poggino, 100 - 01100 Viterbo (Italy)  
tel. +39.0761.352520 (4 lines)  
fax +39.0761.352653

**STUDIO DUE UK** (England)

**STUDIO DUE Far East LTD** (Hong Kong)

**STUDIO DUE Lighting Technology LTD** (Shen Zhen)

[studiodue.com](http://studiodue.com)

emotion and creativity in light

graphics: vilfredo maria ricci - print: Ambrosini - © 2010 studio due - tel.1 03/10



# Archiled *line*



# ARCHILED 300

ARCHILED 300, using 96 LEDs 5W RGBAW, enables to generate a very powerful luminous flux with the possibility to obtain millions of colours.

It uses an IP54 fan digitally controlled which operate only when it is needed to dissipate the heat generated from the LEDs (full power).

However, being normally the fan speed very low, the fixture results quite silent and than suitable to be used both in open spaces to light up building and historical monuments and also into clubs and TV studios.



Archiled 300. 24 groups with 4 LEDs each one (5W LUXEON REBEL LEDs), ensure maximum performances, brightness and colour mixing.

The control panel with touch control technology and the alphanumeric LCD display with flip function.

## ARCHILED 300 specifications

**SOURCE** (Luxeon Rebel 5W)  
24 groups with 4 LEDs each  
24 red, 24 green, 24blue, 12 white, 12 amber

**OPTIC**  
25mm quad lenses standard beam angle (23°)  
On request: to be confirmed at order:  
narrow beam lenses 10° and wide beam lenses (40°)

**TILT**  
Tilt: manual 160°

**CONTROL**  
Standard interface: RS-485; opto-couplet input.  
Protocol: USITT DMX 512 - 10 - 6 or 5 channels

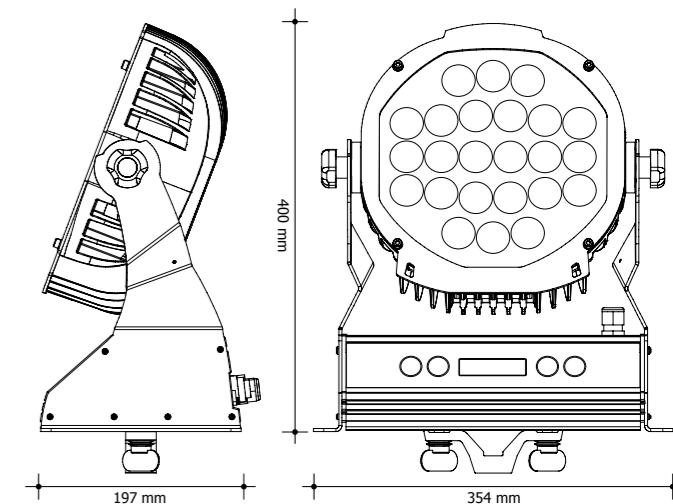
**SETUP AND CONFIGURATION**  
Control panel with touch control technology  
Alphanumeric LCD display with flip function  
DMX or automatic mode with MASTER/SLAVE function  
Dedicated DMX channel for white balance  
Intelligent temperature control system  
Flicker free function

**IP RATE**  
IP 54

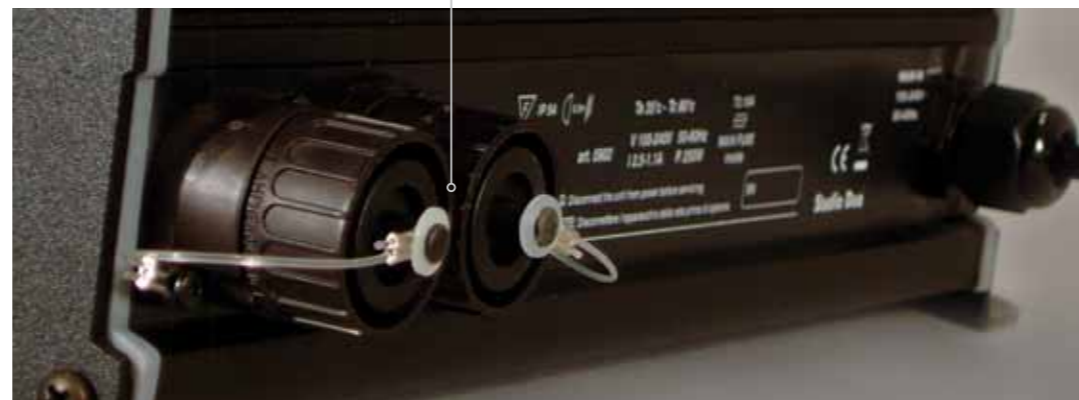
**POWER SUPPLY**  
Switching power supply (universal main voltage)  
Rated voltage: 100-240V~; 50-60Hz  
Rated power: 300W  
Rated current: 1,2,5 - 1.1A

**DMX CHANNELS** mode 10 - 6 or 5 ch  
ch1 = RED  
ch2 = GREEN  
ch3 = BLUE  
ch4 = AMBER  
ch5 = WHITE  
ch6 = DIMMER  
ch7 = STROBE / STROBE+RAINBOW  
ch8 = FADE SPEED  
ch9 = RAINBOW  
ch10 = WHITE BALANCE

**PHISICAL**  
Width: 354 mm  
Depth: 197 mm  
Height: 400 mm  
Weight: 10 kg. net



IP 67 main power and WEIPU DMX cable connectors.



available version:  
art. 0902: ARCHILED300 (rgb+amber+white)

available accessories:  
art. 0902/A: barn door to define the illuminated surface  
art. CLAMP/C: professional aluminium clamp  
art. FFB/C: aluminium fast fixing bracket for an easy and quick installation  
art. QL-10BL: quad lens 10° for narrow beam  
art. QL-40BL: quad lens 40° for wide beam  
art. AL3 CASE x 4: flight case for n.4 ARCHILED300